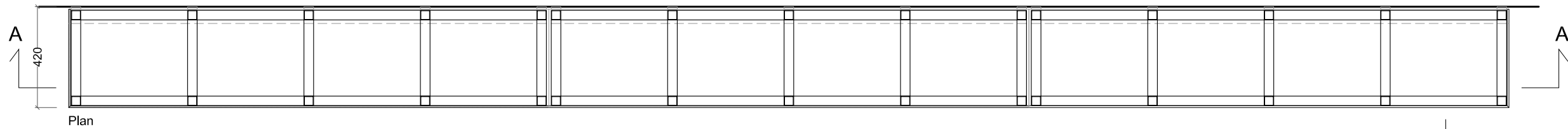
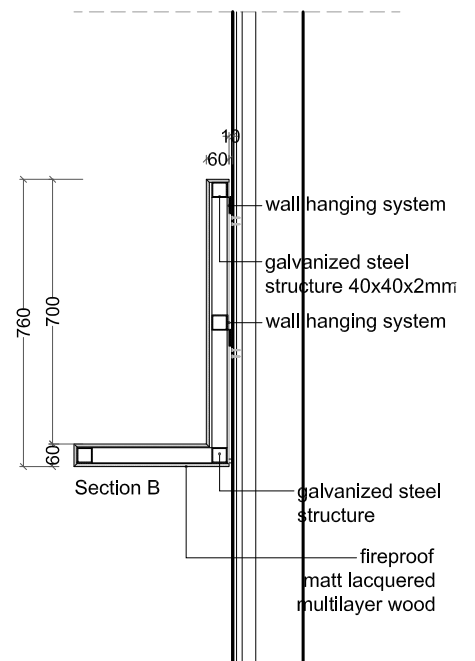
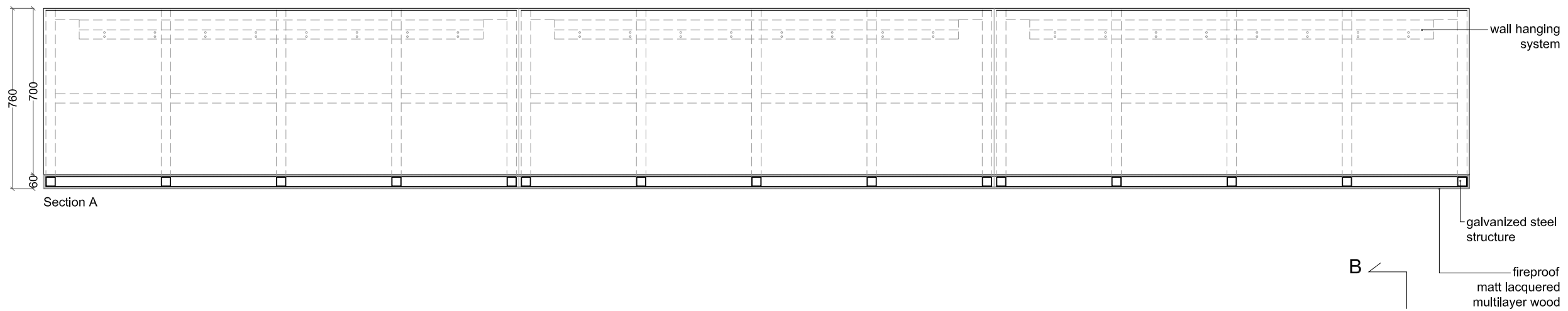
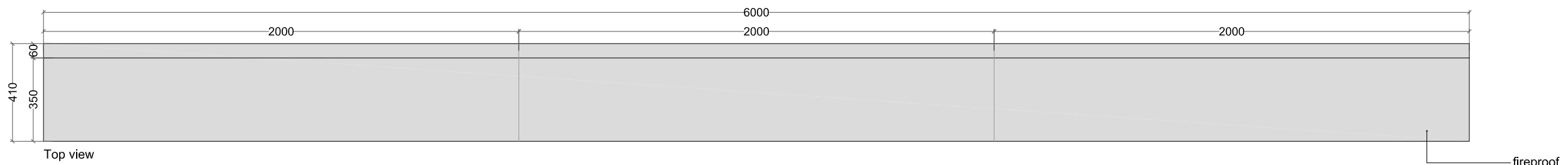
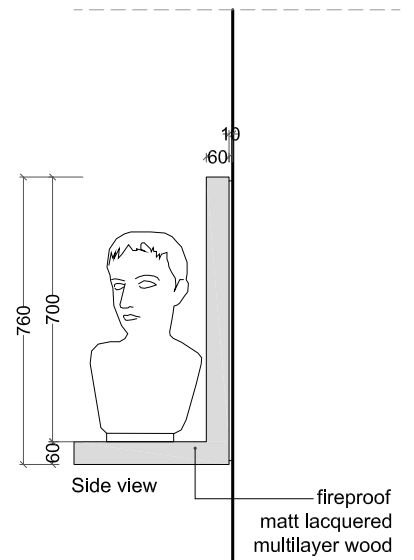
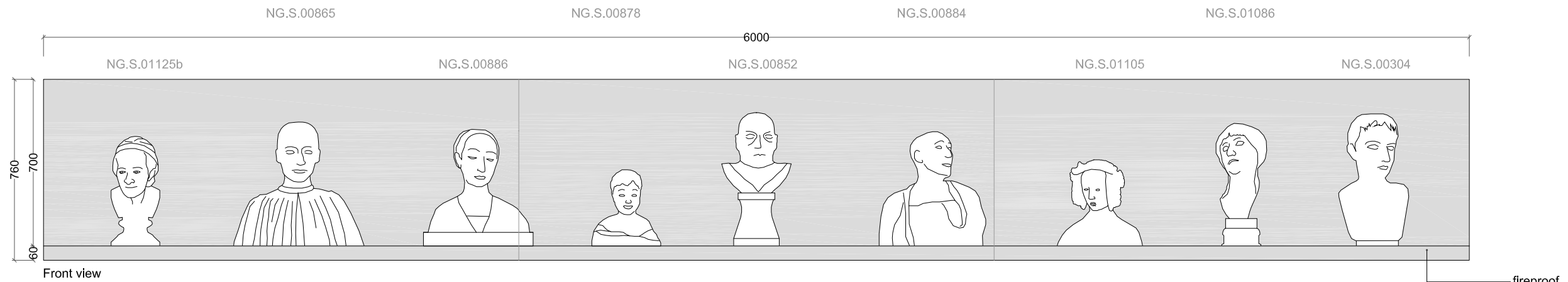


04. SHELVES - SH

04.01 WOODEN SHELF (SH-W)

Room	Code	Width (m)	Depth (m)	Height (m)	Colour / Finishing	Item	Note
2	R02_SH-W-01	6,00	0,41	0,76	NCS S 2005-Y30R	1	
TOTAL		6,00				1	



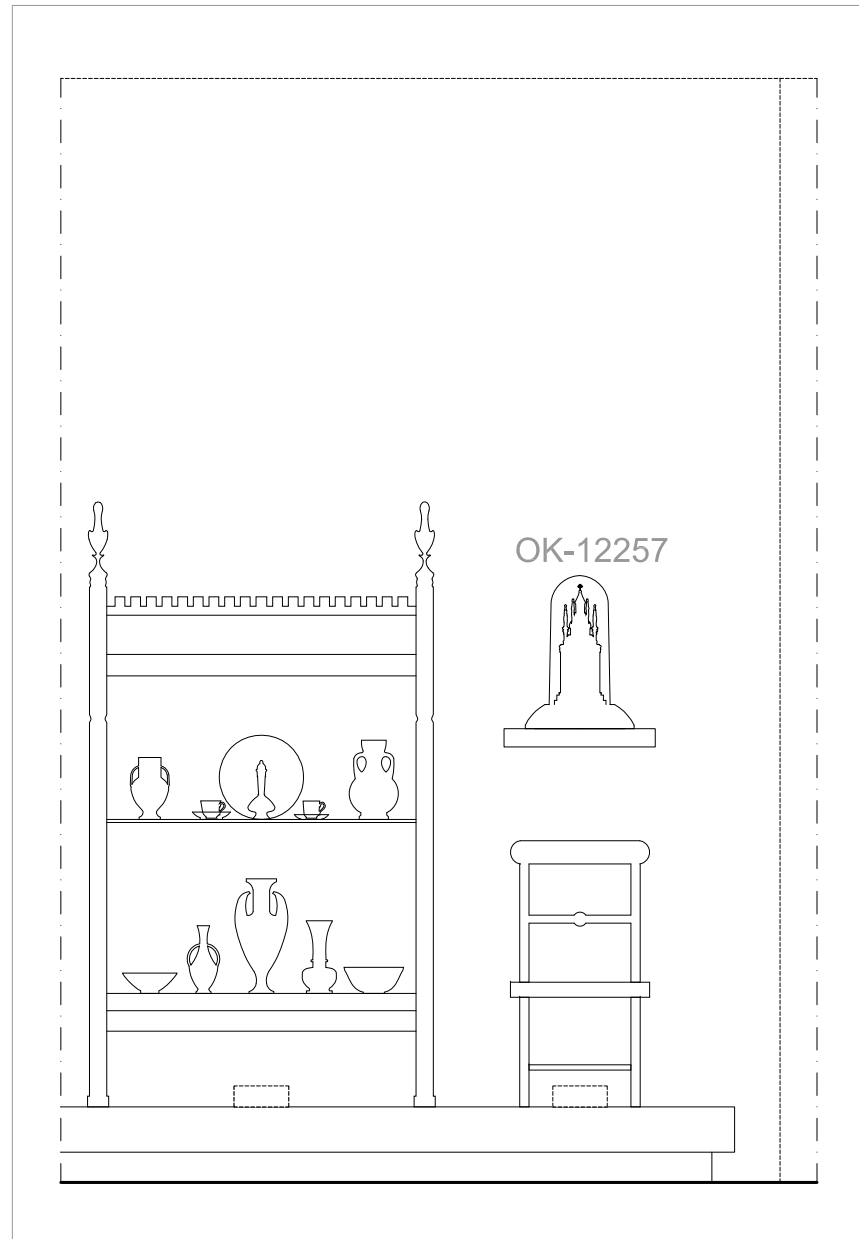
*artwork anchorages to shelves should be verified case by case

NCS S2005-Y30R

04.02 CORIAN LIKE SHELVES (SH-C)

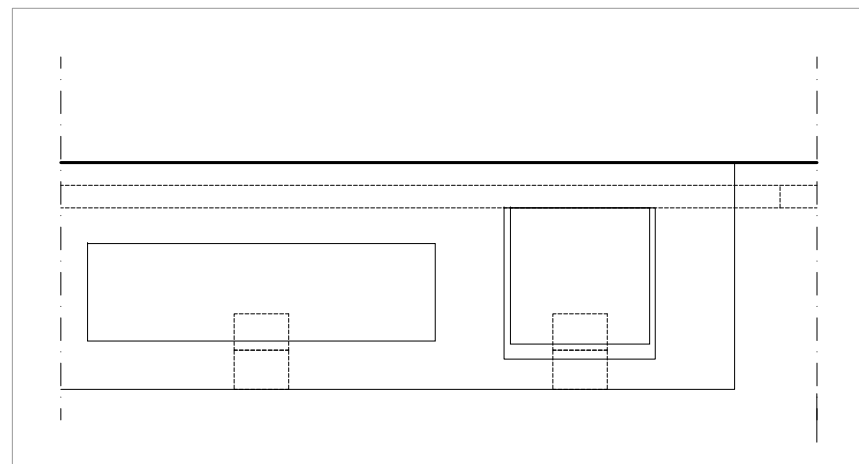
* the measurement (sqm) refers to the development of corian like surface

Room	Code	Width (m)	Depth (m)	Height (m)	Colour / Finishing	Corian Surface (sqm)*	Item	Note
14	R14_SH-C-01	0,50	0,50	0,06	Corian Silver Gray	0,59	1	
73	R73_SH-C-01	0,50	0,40	0,06	Corian Pearl Gray	0,48	1	
	R73_SH-C-02	0,50	0,40	0,06	Corian Pearl Gray	0,48	1	
	R73_SH-C-03	0,50	0,40	0,06	Corian Pearl Gray	0,48	1	
	R73_SH-C-04	0,50	0,40	0,06	Corian Pearl Gray	0,48	1	
	R73_SH-C-05	0,50	0,40	0,06	Corian Pearl Gray	0,48	1	
	R73_SH-C-06	0,50	0,40	0,06	Corian Pearl Gray	0,48	1	
TOTAL		0,50			Corian Silver Gray	0,59	1	
		3,00			Corian Pearl Gray	2,89	6	
		3,50			Total	3,49	7	



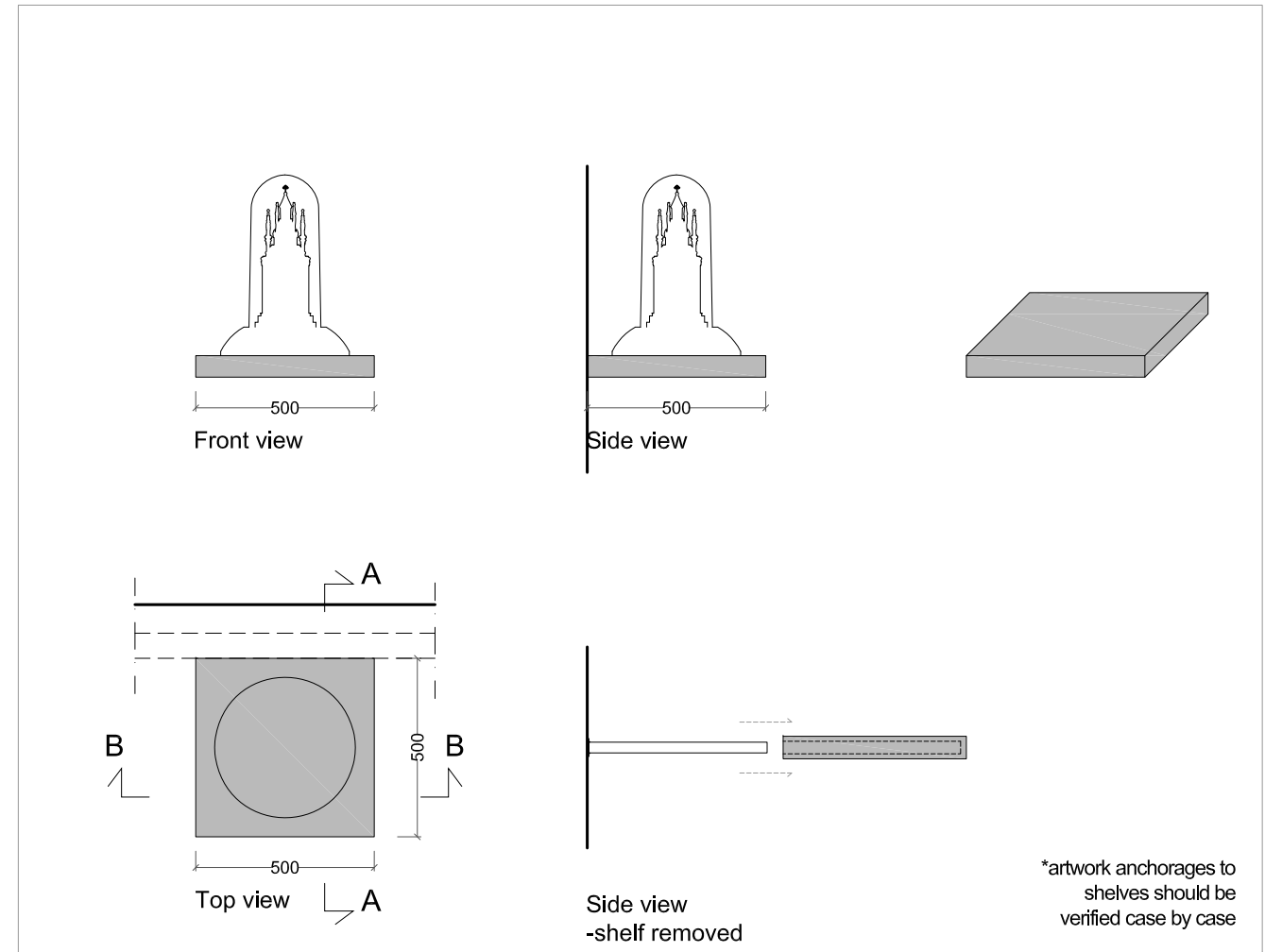
Front view

1:25



Top view

1:25



Front view

Side view

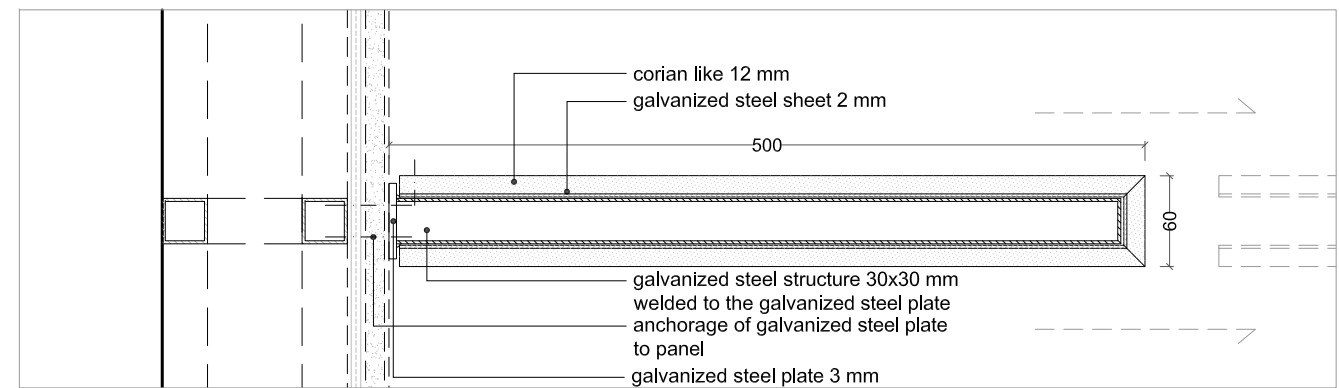
B

Top view

Side view
 -shelf removed

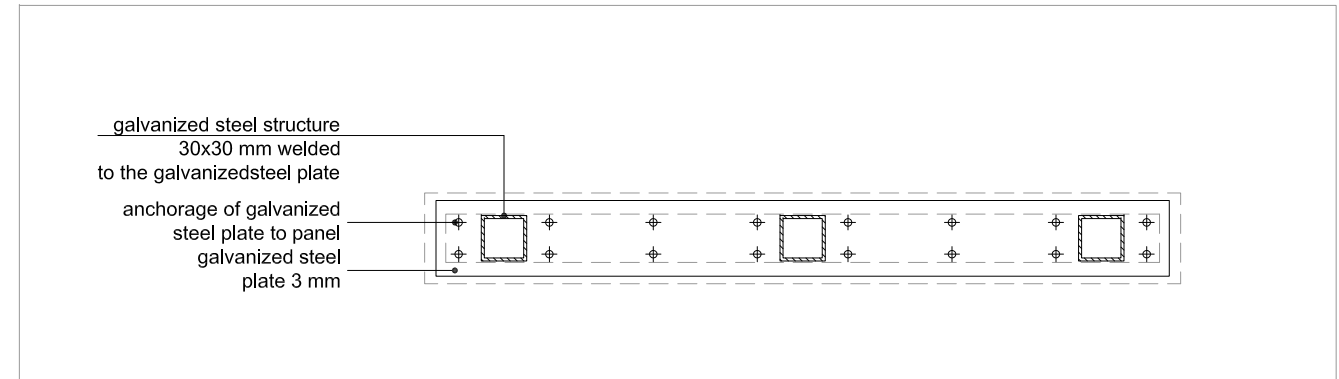
*artwork anchorages to shelves should be verified case by case

1:20



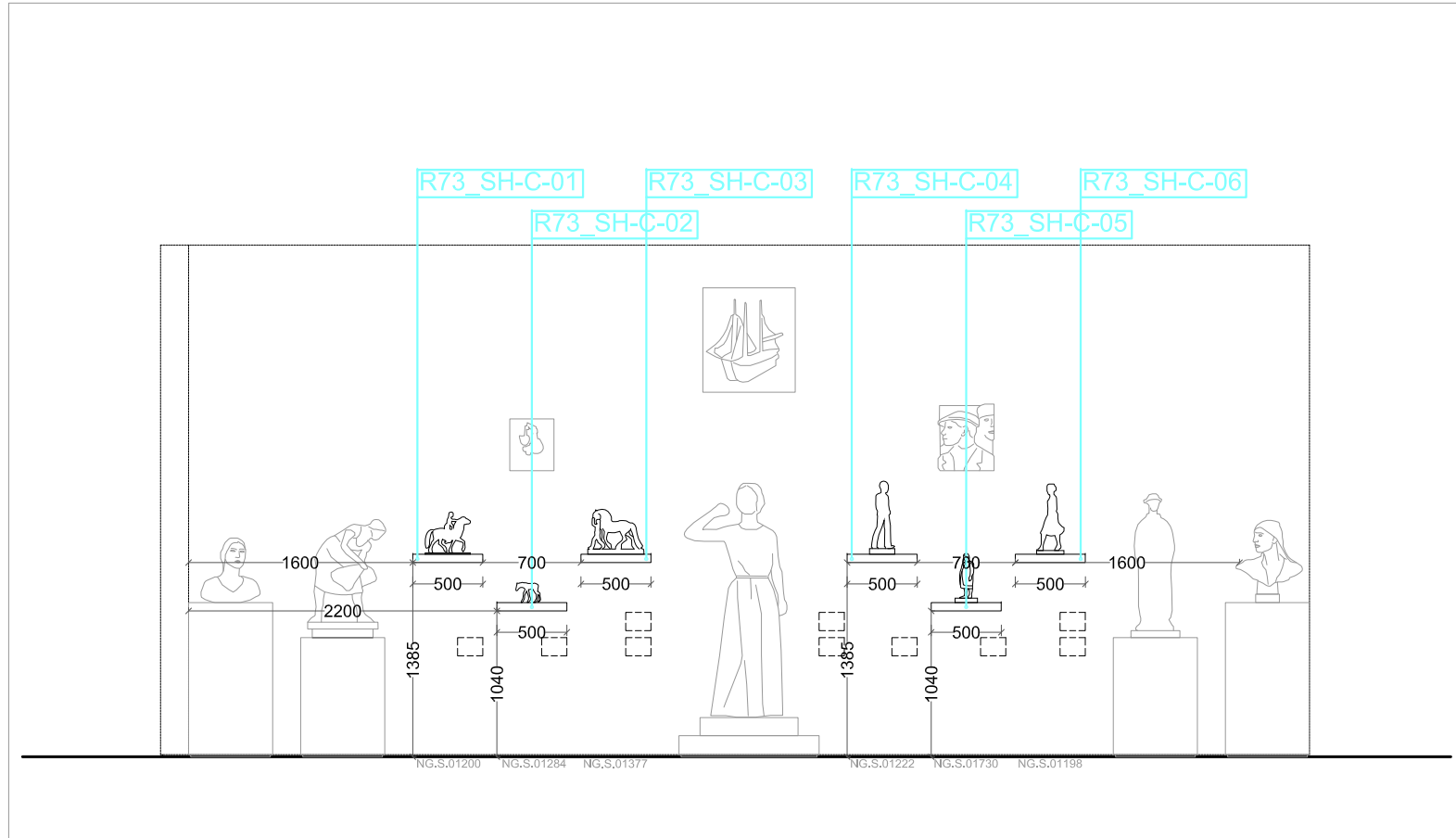
Section A

1:5



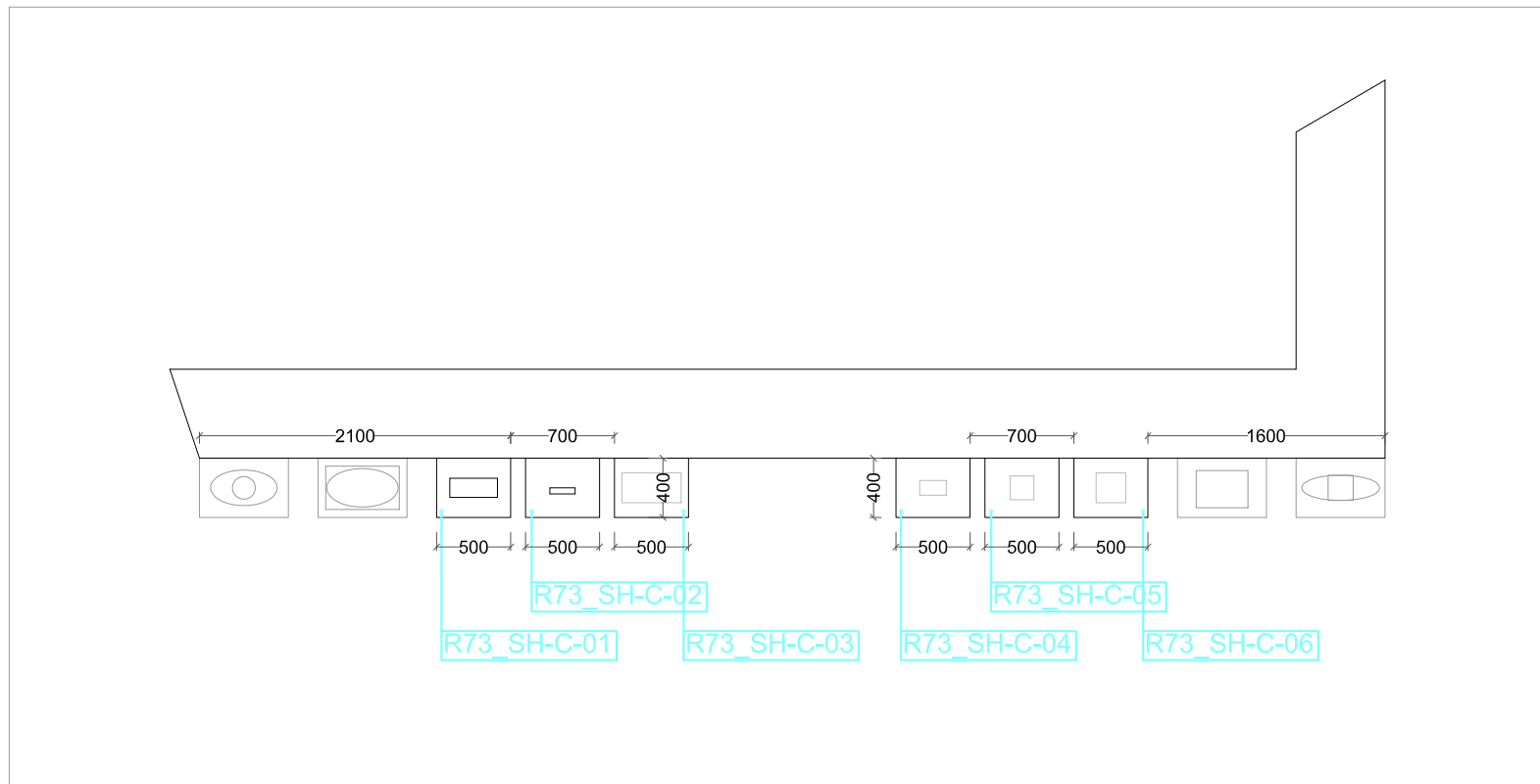
Section B

1:5



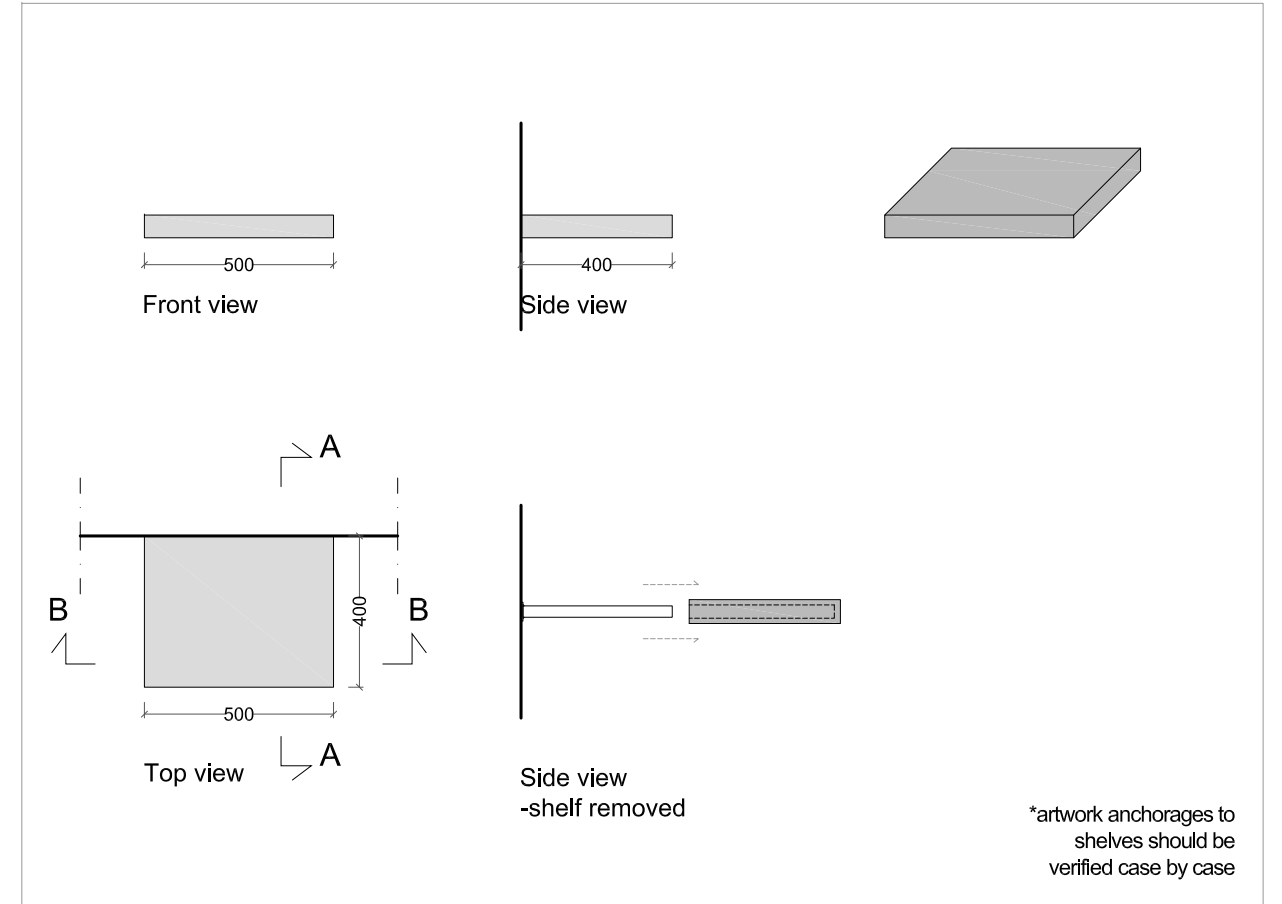
Front view

1:50

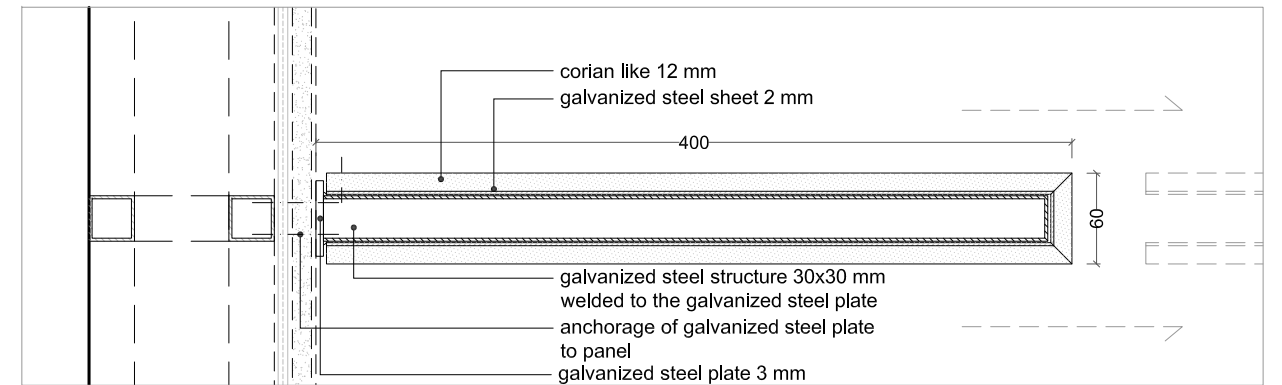


Top view

1:50

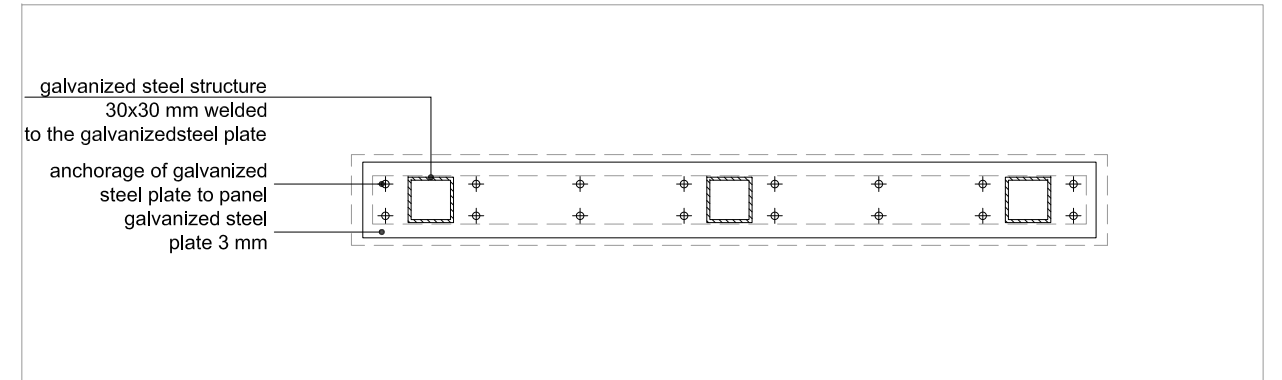


1:20



Section A

1:5



Section B

1:5