

Component list

Style no: **M-SH-06** Style: **Mens SHIRT short sleeve**

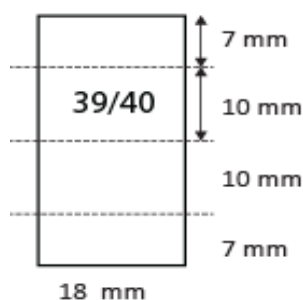
Date: 13/07/17

Material	Description	Placement	Amount
Fabric			
Mainfabric			
Composition	80% combed cotton 20% polyester		
Construction	150x70/40Sx45S Fine oxford. Open (not tight) construction for good air permeability. 125-130 g/m2. Easy care finish.		
Colour	Middle blue (customers own colour)		
Interlining	Fused interling, white	collar, CF	
Trimmings			
Thread; sewing and overlock	Core spun polyester. Colour: Tone in tone blue		
Logo	Embroidery logo tone in tone blue		
Buttons	12 mm 4-hole polyester or polyamid 6.6 with narrow edge. Tone in tone blue. Sparebutton on carelabel.	CF	9+1
Mainlabel	Woven polyester satin label, grey with midblue letter	CB neck	1
Sizelabel	Woven polyester satin label, grey with midblue letter	CB neck	1
Carelabel	Woven polyester satin label, white with black print	Left sideseam	1

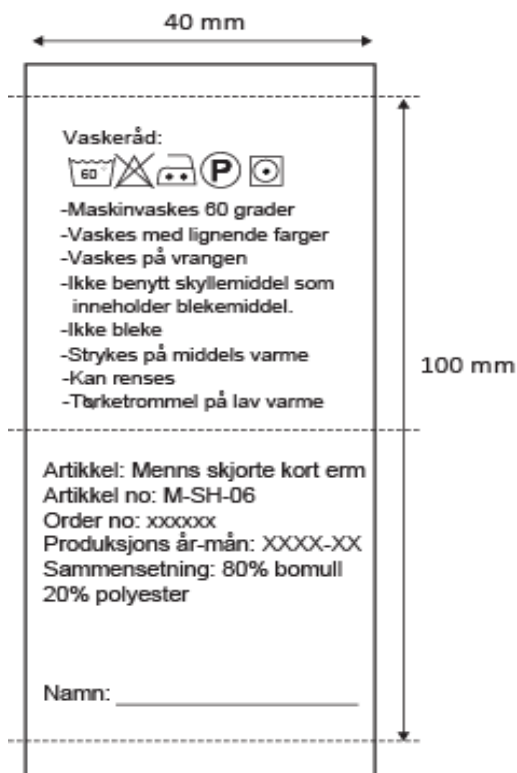
Inside label



Size label



Shirts: M-SH-06



To be packed with stand-up in collar, folded with plastic gem/pins (no needles)

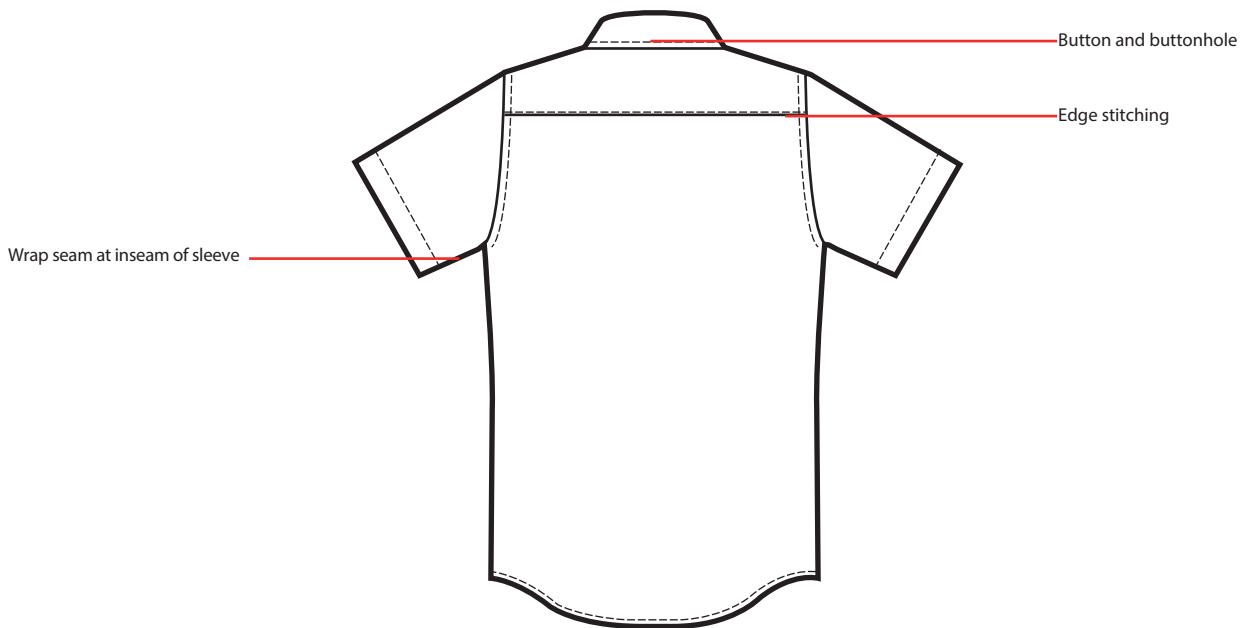
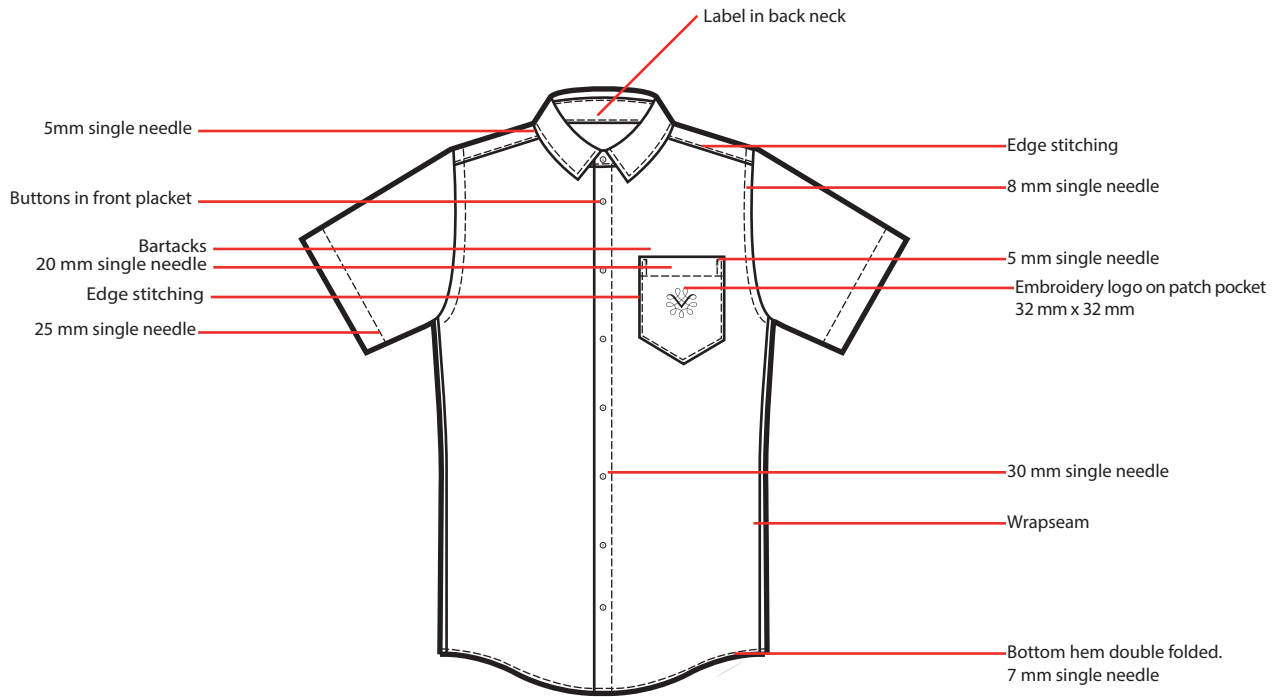
Technical specifications



VINMONOPOLET

Style no: **M-SH-06** Style: **Mens SHIRT short sleeve**

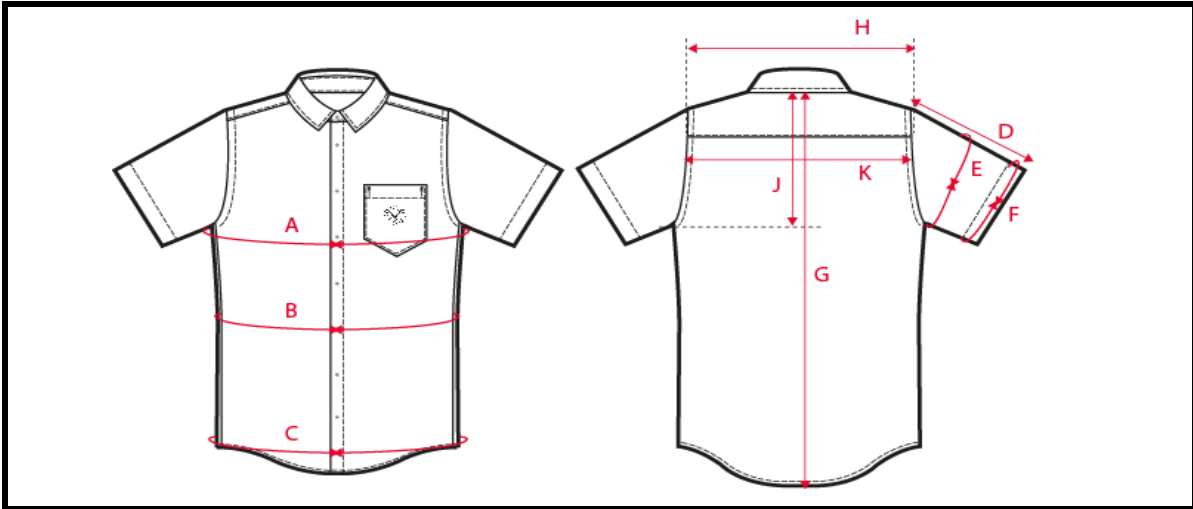
Date: 13/07/17



Measurementlist



Style no: **M-SH-06** Style: **Mens SHIRT - short sleeve** Date: **19/07/17**



		36	38	40	42	44	46	48	50
		35/36	37/38	39/40	41/42	43/44	45/46	47/48	49/50
H	Cross shoulder	44,5	46	47,5	49	50,5	52	53,5	55
K	Cross back, 15 cm fr CB neck	43	44,5	46	47,5	49	50,5	52	53,5
A	Chest, at armhole	108	112	116	120	126	132	138	144
	Waist placement- from HSP	45	45,5	46	46,5	47	47,5	47,5	47,5
B	Waist	104	108	112	116	122	128	134	140
C	Bottom width	102	106	110	114	120	126	132	138
G	Center Back length	80	81	82	83	84	85	86	87
	1/2 armhole at front	22,6	23,4	24,2	25	25,8	26,6	27,4	28,2
D	Sleeve length	18,75	20,5	22,25	24	24,75	25,5	26,25	27
E	Bicep	41,5	43,5	45,5	47,5	49,5	51,5	53,5	55,5
F	Sleeve opening	36	37	38	39	40	41	42	43
	Back neckdrop- HPS to seam	0,5	0,5	0,5	0,5	0,5	0,5	0,5	0,5
	Front neckdrop- HPS to seam	8	8,5	9	9,5	9,75	10	10,25	11
	Placket width	3	3	3	3	3	3	3	3
	Number of btns incl stand + spare 18	10	10	10	10	10	10	10	10
	Button distance 1st and 2nd	5	5	5	5	5	5	5	5
	Button distance centre to centre	8	8	8	8	8	8	8	8
	Bk yoke Plcmt-straight below CB Nk	10	10	10	10	10	10	10	10
	Pocket height- at center	14	14,5	14,5	14,5	14,5	14,5	15	15
	Pocket width- at top	12,5	13	13	13	13	13	13,5	13,5
	Shirttail curve Ht Bk-img line to Btm	6	6	6	6	6	6	6	6
	Shirttail curve Ht Frt-img line to Btm	6	6	6	6	6	6	6	6
	Collar point length- seam to edge	6,5	6,5	6,5	6,5	6,5	6,5	6,5	6,5
	Collar length CF-CF	37	39	41	43	45	47	49	51
	Collar stand height- at CB	3,5	3,5	3,5	3,5	3,5	3,5	3,5	3,5
	Collar height at CB	4,7	4,7	4,7	4,7	4,7	4,7	4,7	4,7
	Collar width- flat collar outer edge	37	39	41	43	45	47	49	51