

Component list

Style no: **M-SH-05** Style: **Mens SHIRT long sleeve**

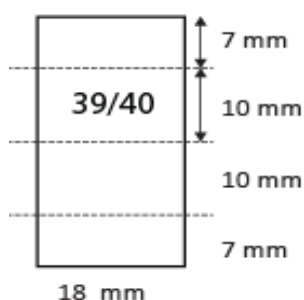
Date: 13/07/17

Material	Description	Placement	Amount
Fabric			
Mainfabric			
Composition	80% combed cotton 20% polyester		
Construction	150x70/40Sx45S Fine oxford. Open (not tight) construction for good air permeability. 125-130 g/m2. Easy care finish.		
Colour	Middle blue (customers own colour)		
Interlining	Fused interling, white	collar, cuff, CF	
Trimmings			
Thread; sewing and overlock	Core spun polyester. Colour: Tone in tone blue		
Logo	Embroidery logo tone in tone blue		
Buttons	12 mm 4-hole polyester or polyamid 6.6 with narrow edge. Tone in tone blue. Sparebutton on carelabel.	CF, cuff	13+1
Buttons	9 mm 4-hole polyester or polyamid 6.6 with narrow edge. Tone in tone blue. Sparebutton on carelabel.	cuff slit	2+1
Mainlabel	Woven polyester satin label, grey with midblue letter	CB neck	1
Sizelabel	Woven polyester satin label, grey with midblue letter	CB neck	1
Carelabel	Woven polyester satin label, white with black print	Left sideseam	1

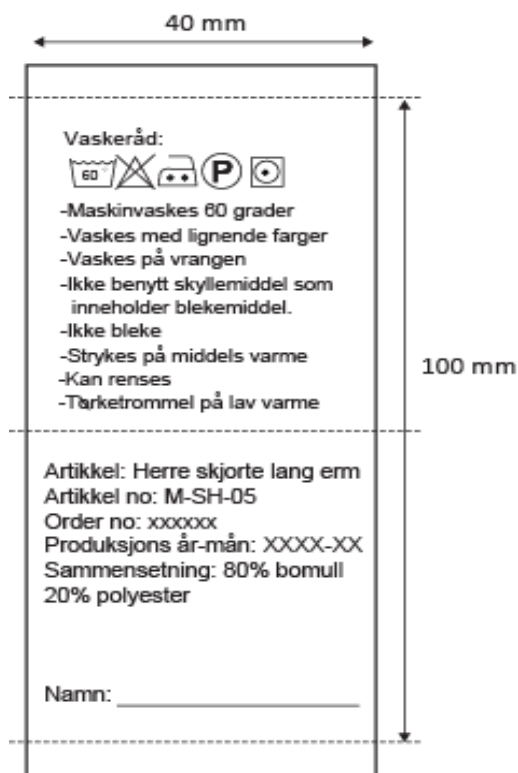
Inside label



Size label



Shirts: M-SH-05



To be packed with stand-up in collar, folded with plastic gem/pins (no needles)

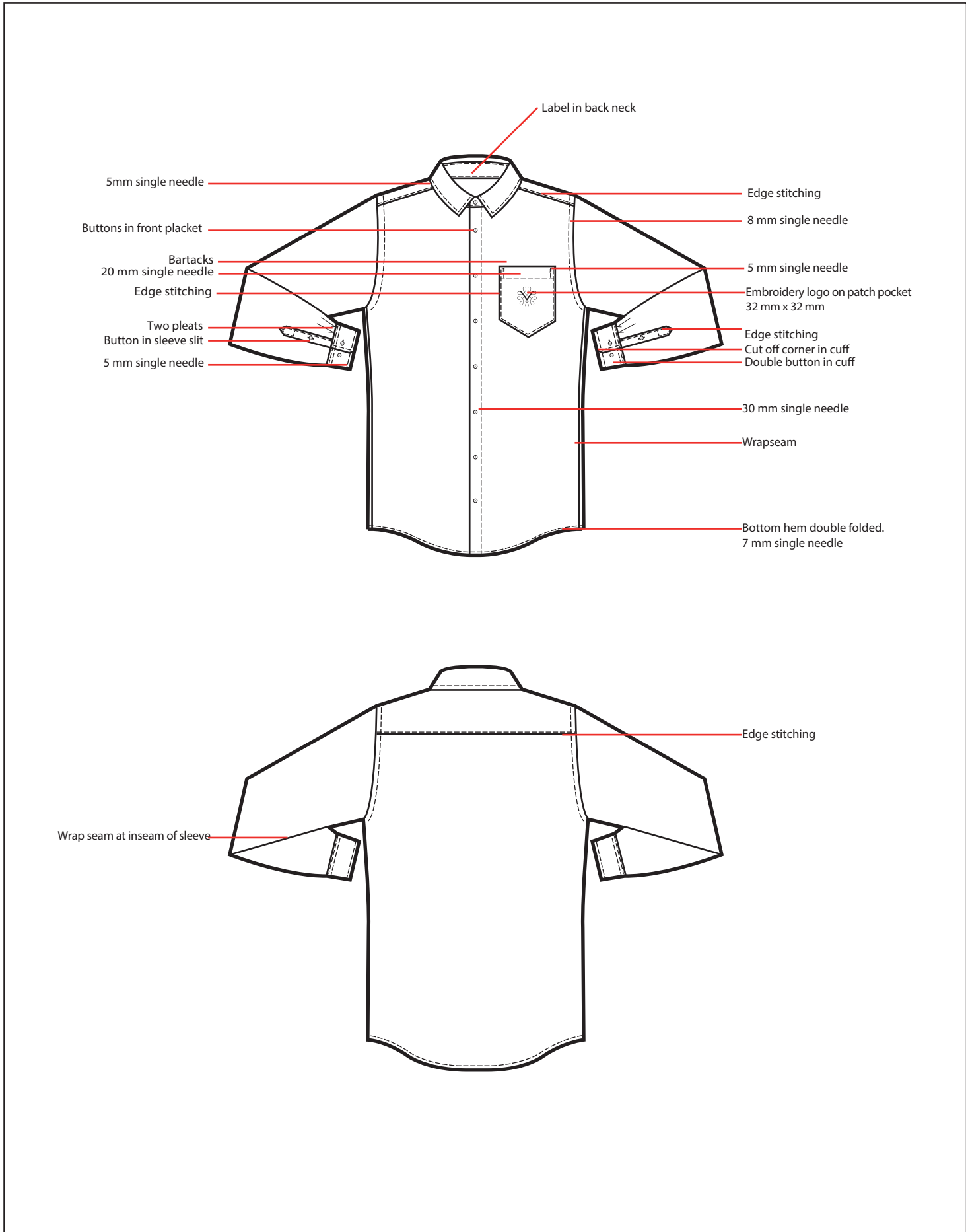
Technical specifications



VINMONOPOLET

Style no: **M-SH-05** Style: **Mens SHIRT long sleeve**

Date: 19/07/17



Measurementlist



VINMONOPOLET

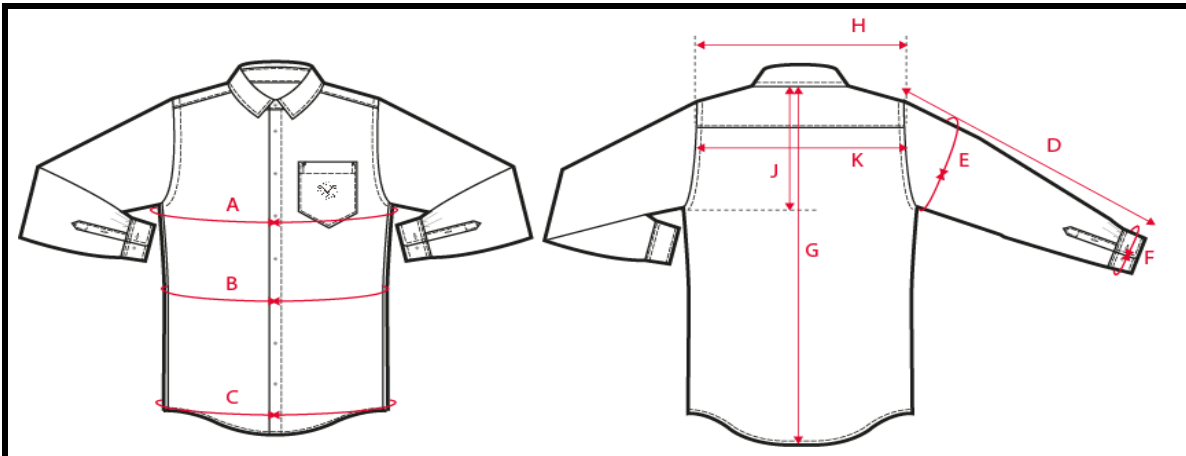
Style no: **M-SH-05**

Style:

MENS SHIRT - long sleeve

Date:

19/07/17



		36	38	40	42	44	46	48	50
		35/36	37/38	39/40	41/42	43/44	45/46	47/48	49/50
H	Cross shoulder	44,5	46	47,5	49	50,5	52	53,5	55
K	Cross back, 15 cm fr CB neck	43	44,5	46	47,5	49	50,5	52	53,5
A	Chest, at armhole	108	112	116	120	126	132	138	144
	Waist placement- from HSP	45	45,5	46	46,5	47	47,5	47,5	47,5
B	Waist	104	108	112	116	122	128	134	140
C	Bottom width	102	106	110	114	120	126	132	138
G	Center Back length	80	81	82	83	84	85	86	87
	1/2 armhole at front	22,6	23,4	24,2	25	25,8	26,6	27,4	28,2
D	Sleeve length	62,25	64	65,75	67,5	68,25	69	69,75	70,5
E	Bicep	42,5	44,5	46,5	48,5	50,5	52,5	54,5	56,5
	Elbow placment, fr cuff	30	30	30	30	30	30	30	30
	Elbow width	33,5	35	36,5	38	39,5	41	42,5	44
F	Cuff width, widest buttoning	20,5	21,5	22,5	23,5	24,5	25,5	26,5	27,5
F	Cuff width, tightest buttoning	18,5	19,5	20,5	21,5	22,5	23,5	24,5	25,5
	Cuff height	6,5	6,5	6,5	6,5	6,5	6,5	6,5	6,5
	Sleeve placket length	18	18	18	18	18	18	18	18
	Sleeve placket opening	15	15	15	15	15	15	15	15
	Sleeve placket width	2,5	2,5	2,5	2,5	2,5	2,5	2,5	2,5
	Back neckdrop- HPS to seam	0,5	0,5	0,5	0,5	0,5	0,5	0,5	0,5
	Front neckdrop- HPS to seam	8	8,5	9	9,5	9,75	10	10,25	11
	Placket width	3	3	3	3	3	3	3	3
	Number of btns incl stand + spare 18	13	13	13	13	13	13	13	13
	Number of btns cuff + spare 14L	3	3	3	3	3	3	3	3
	Button distance 1st and 2nd	5	5	5	5	5	5	5	5
	Button distance centre to centre	8	8	8	8	8	8	8	8
	Bk yoke Plcmt-straight below CB Nk	10	10	10	10	10	10	10	10
O	Pocket height- at center	14	14,5	14,5	14,5	14,5	14,5	15	15
	Pocket width- at top	14	14	14	14	14	14	14,5	14,5
	Shirtail curve Ht Bk-img line to Btm	6	6	6	6	6	6	6	6
	Shirtail curve Ht Frt-img line to Btm	6	6	6	6	6	6	6	6
	Collar point length- seam to edge	6,5	6,5	6,5	6,5	6,5	6,5	6,5	6,5
	Collar length CF-CF	37	39	41	43	45	47	49	51
	Collar stand height- at CB	3,5	3,5	3,5	3,5	3,5	3,5	3,5	3,5
	Collar height at CB	4,7	4,7	4,7	4,7	4,7	4,7	4,7	4,7
	Collar width- flat collar outer edge	37	39	41	43	45	47	49	51
	Long length CB and long sleeves	36L	38L	40L	42L	44L	46L	48L	50L
G	Center back length	84	85	86	87	88	89	90	91
D	Sleeve length	65,25	67	68,75	70,5	71,25	72	72,75	73,5