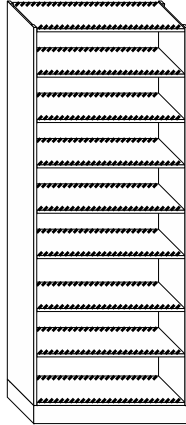
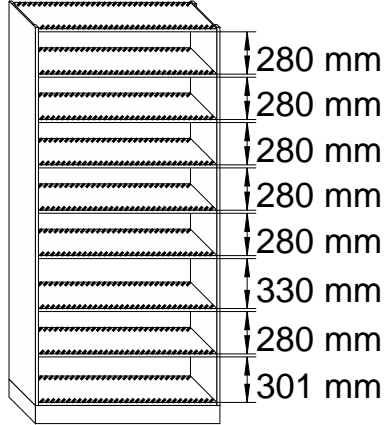


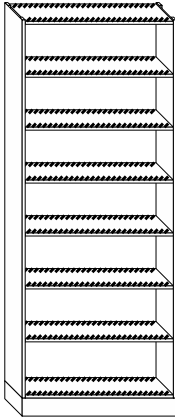
L 1
2,660x1,000 d380



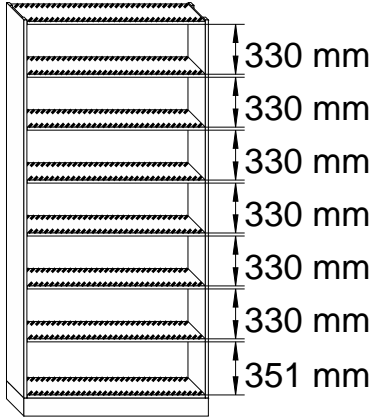
L 3
2,660x1,200 d380



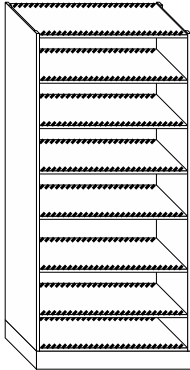
L 2
2,660x1,000 d250



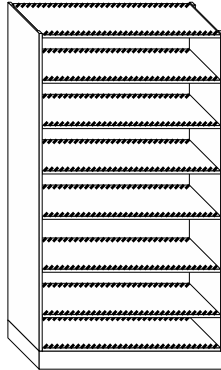
L 4
2,660x1,200 d250



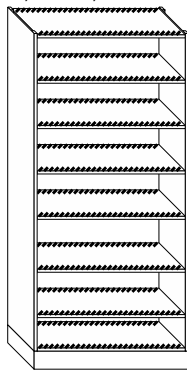
L 7
2,260x1,000 d450



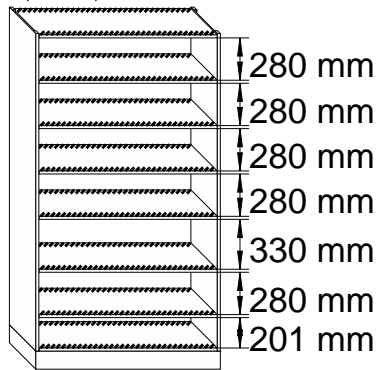
L 8
2,260x1,200 d450



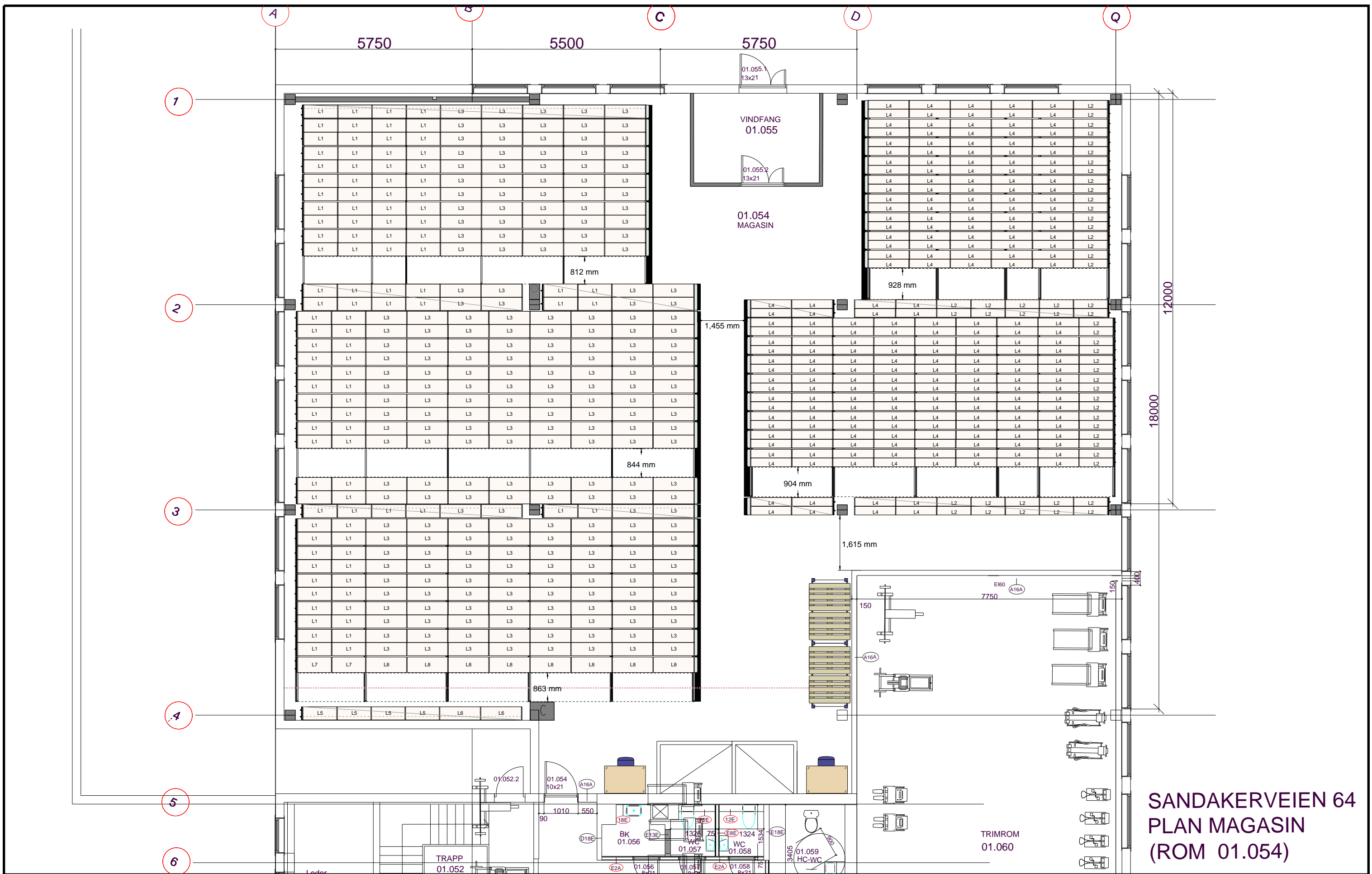
L 5
2,260x1,000 d380



L 6
2,260x1,200 d380



The purpose of this drawing is to indicate the exact layout details. Please consult the Installation Manual to assure correct installation.



**SANDAKERVEIEN 64
PLAN MAGASIN
(ROM 01.054)**

The purpose of this drawing is to indicate the exact layout details. Please consult the Installation Manual to assure correct installation.