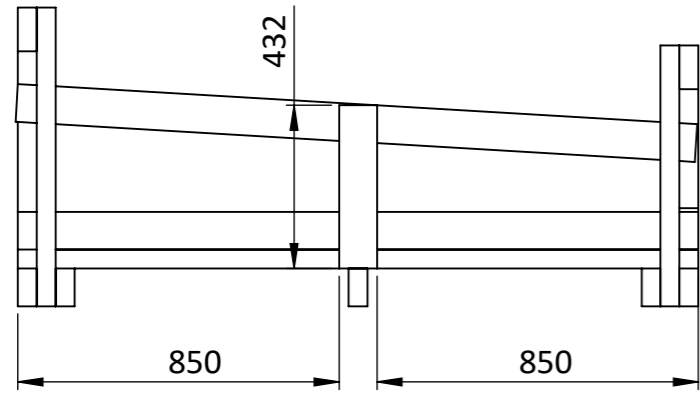



1800 x 5
1750 x 1
1700 x 2
1650 x 2
1380 x 1
1310 x 1
1290 x 4
1265 x 1
1190 x 1
1180 x 1
790 x 2
745 x 2
690 x 2
430 x 2



CODE	REVISION			DRAWN	SIGNATURE	DATE	TITLE	
	DRAWN	M. Indriksons	16.04.21	<b>Transport frame</b>				
	CHECKED	H. Moltumyr	16.04.21					
	APPROVED	P. E. Ose	16.04.21					
MATERIAL				DRAWING NO.		PAGE SIZE		
50x100 wood				LM-TR-01		A3		
WEIGHT	SCALE			1:20	SHEET	1 of 1		