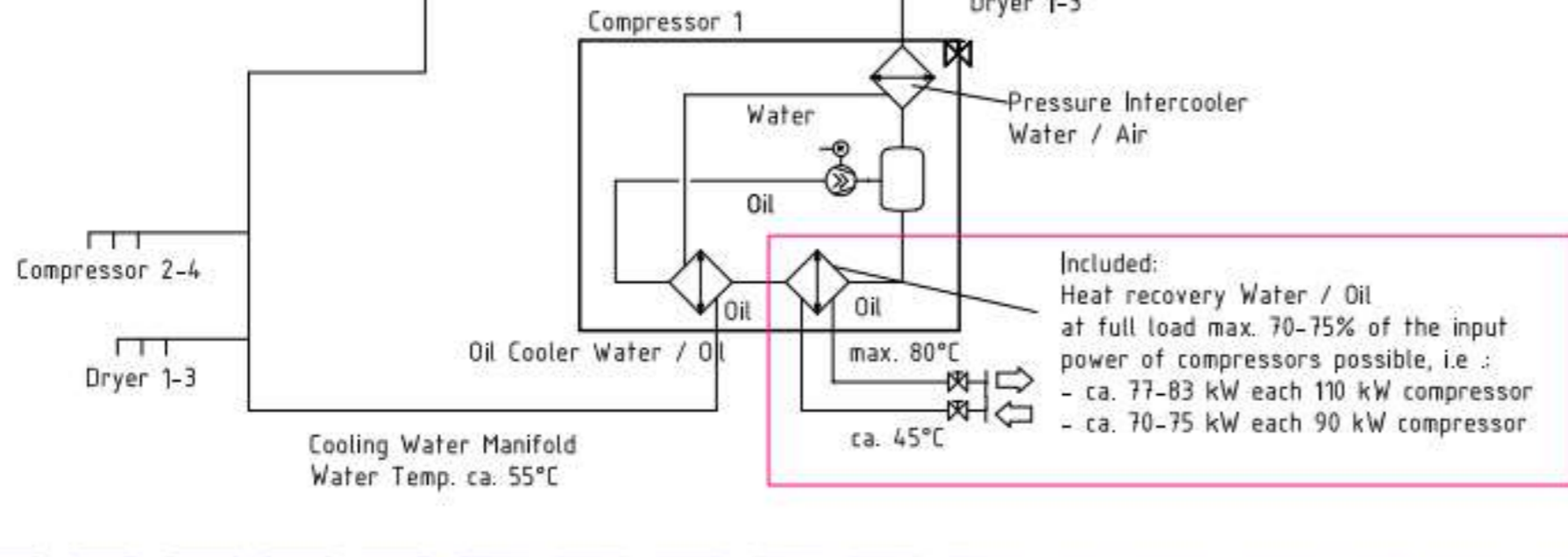
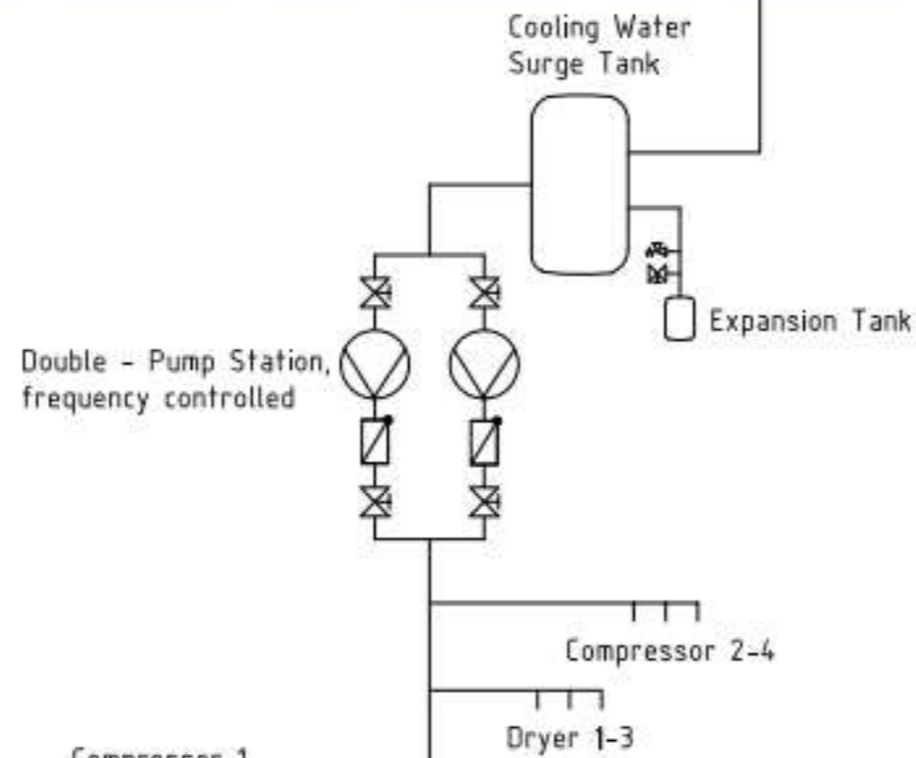
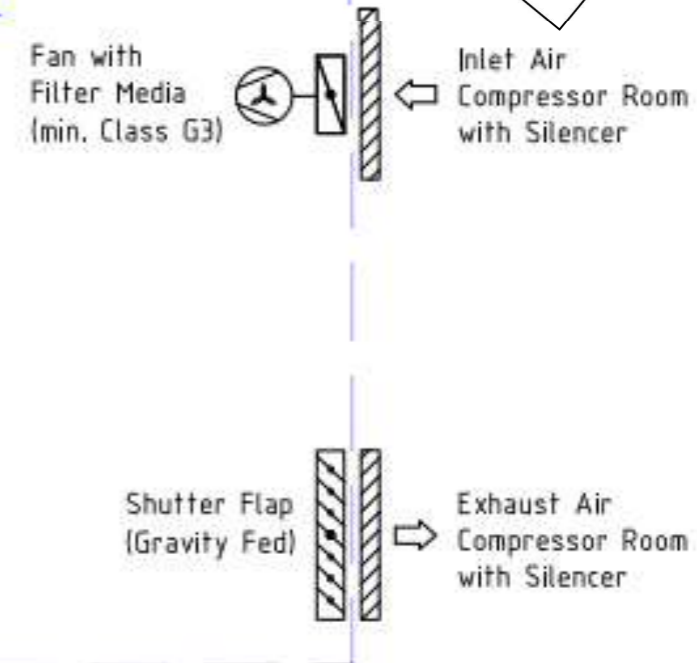


EXAMPLE
No. off units and dimensions to be decided by Contractor

Compressor Room



Rev	Text	Sign.	Date	Contr
Østfold Avfallssortering IKS				
Waste Sorting Plant - MRF				
COMPRESSOR PLANT			Scale	./.
			Date	05.08.2022
			Drawn	JUNG
			Control	KØF
			Resp.	PT
Client Drawing no.		Rev.		
1819		00		
Project-ID Consultant		Drawing-ID Consultant		Additional information Consultant
1819		101819-003		