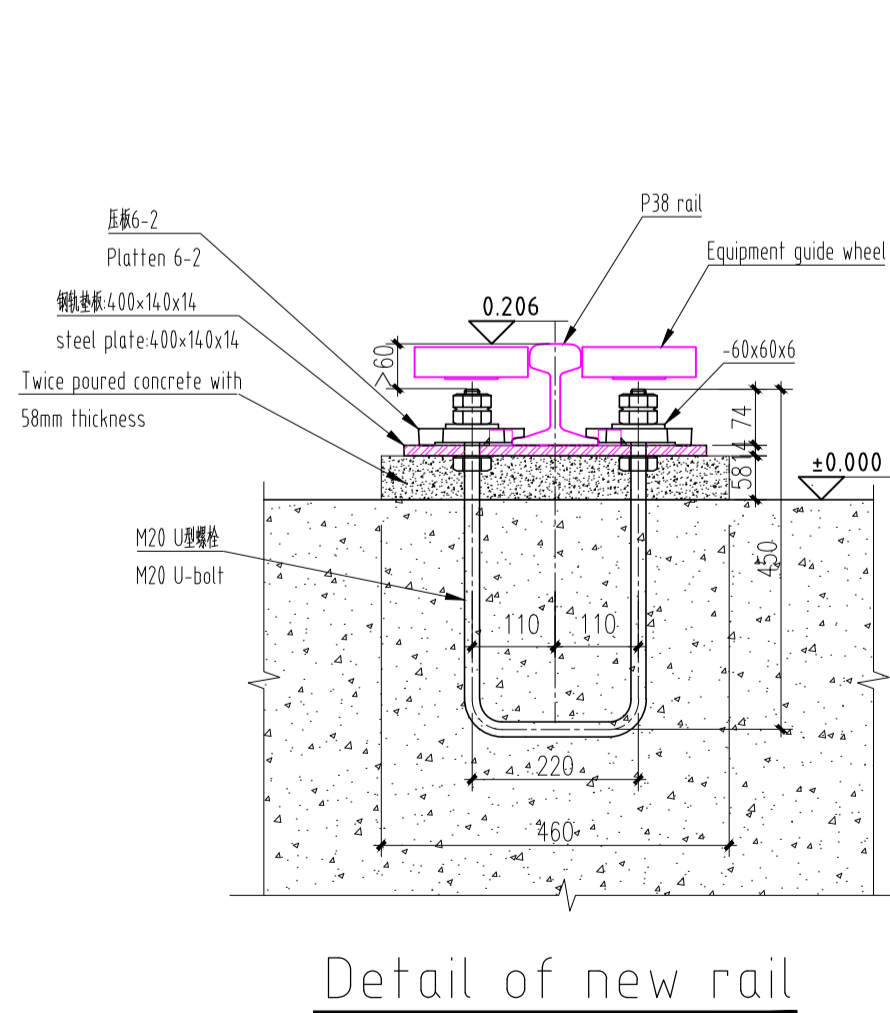
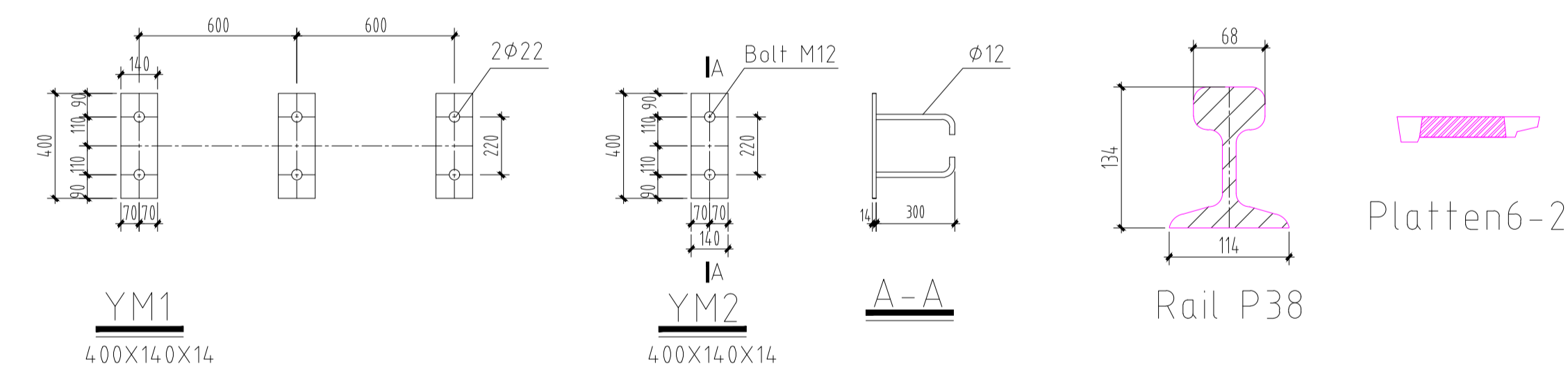


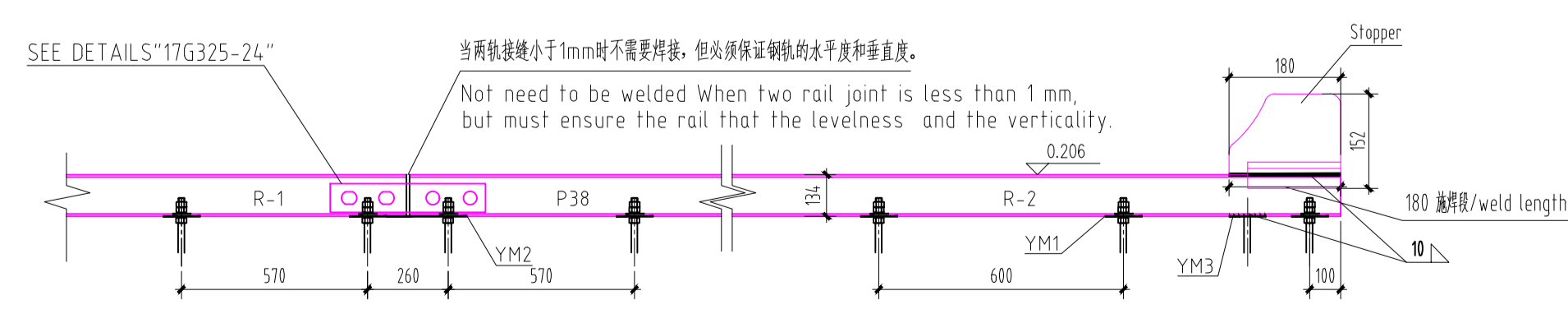
钢轨预埋板布置图
Rail embedded plate layout



Detail of new rail



钢轨预埋螺栓及垫板布置大样
Embedded bolts & base plate for rails



节点及车档大样
Detailed drawing of junction and rail stopper

技术要求:

1. 轨道采用P38钢轨，钢轨顶面高出地面206mm。
2. 钢轨与基础的连接采用P38扣轨和地脚螺栓连接。
3. 单轨中心偏差±2mm，全长高度差小于0.4%。
4. 任意4米长度内三根钢轨的轨道顶面高度差小于2mm。
5. 轨距为2000的两条钢轨中心距偏差±2mm。
6. 轨距为6250的两条钢轨中心距偏差±3mm。
7. 钢轨的任一点重压下(100kN)的变形量小于1mm。
8. 三根钢轨全长范围内不得有断缝，辙轨刚度(在630kN重压下)最大变形量小于3mm。
9. 轨道接头处焊缝要平直、平滑，不能有凹凸现象。
10. 设备总重约63吨，最大轮压100kN。
11. 钢轨上面安装防撞装置，钢轨与预埋板焊接，应能承受200kN的水平方向的力。
12. 对扫描大厅的设备要做重复接地，该接地系统与大厅内的三根轨道、拖缆、线槽连接，接地电阻不大于1Ω。

Technical Requirements:

1. Steel of P38 shall be used for rails. The rail surface shall be 206mm higher than the ground.
2. Iron of P38 and foundation bolts shall be used to connect rails and the foundation.
3. Centre deviation of a single track is ±2mm and differential value of height of the whole length is less than 0.4%.
4. Differential value of height of top surface of tracks of any three steel tracks which are ≤4m long shall be <2mm.
5. Centre deviation of two tracks whose distance is 2000 shall be ±2mm.
6. Centre deviation of two tracks whose distance is 6250 shall be ±3mm.
7. Deformation of any point on the rail under the load of 100kN shall be <1mm.
8. No breaking joint shall be found on the whole length of three rails. The max deformation of rail laying rigidity (under 630kN) shall be <3mm.
9. Joints of the rails shall be welded smoothly and fast without deformation.
10. Total weight of equipment is about 63t and the max wheel pressure is 100kN.
11. Bump-proof equipment shall be installed on the rails, the rails and embedded plates shall be welded, it shall hold 200kN in the horizontal direction.
12. Repeated earthing shall be done for equipment in the scanning hall. This earthing system shall be connected with three rails, towing cable and wire channel in the hall. Earthing resistance shall not be more than 1Ω.

项目名称/PROJECT NAME MB1215DE (BX) 挪威海关升级项目 (202101)	文件编号/FILE No. IMLA0000000ID-NO	土建设计委托条件 Conditions of Civil Design and Construction Work		
设计/DESIGNED 彭志超	审核/CHECKED 潘源	标准化/STANDARD	批准/APPROVED	日期/DATE 2021-8-9
比例/SCALE 1:100				图幅/SIZE A1
Detail of rail				第SHEET 4 总页TOTAL 6



Norseland