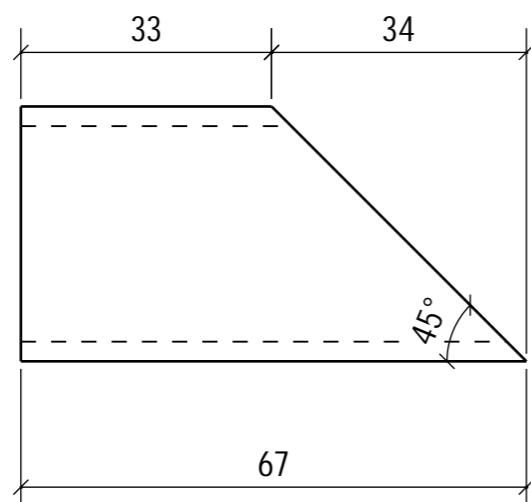
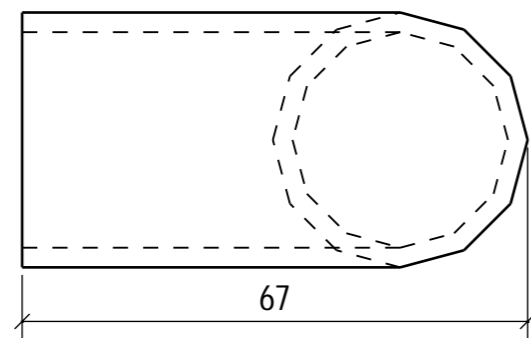


In Assembly	Pcs	In Assembly	Pcs	In Assembly	Pcs	In Assembly	Pcs
P-25	1						



MATERIAL LIST FOR PART K-70				Manufactured - pcs			1
Pos	Profile - Type	Size	Material	Pcs	kg/pc	Remark	
K-70	CFCHS33.7X2.6	67	AISI316	1	0.1		

Rev.	Revision	Dsg.	Chk.	App.	Date		
DISTRICT/VILLAGE		BLOCK/ESTATE	BUILDING LOT	AUTHORIZATION NOTES			
BUILDING ACTION		DRAWING CATEGORY			ARCHIVING CODE		
PROJECT NAME		DRAWING CONTENT			SCALE		
		SINGLE PART DRAWING K-70, REKKVERK			1:1		
DESIGNER		DATE	CHECKER	ACCEPTOR			
		DESIGN FIELD	PROJECT NUMBER		REVISION		
		STR	FREVAR SYFA		PAGE		
			K-70				
Proj.nr.		Ritn.nr - JP	Ritad	Godkänd	Datum	Dok.typ	Avd.kod
		FREVAR SYFA				K	

<b>AFRY</b>			SINGLE PART DRAWING K-70, REKKVERK			Plats.nr	
Ritad		Granskad	Godkänd	Grupp.nr		-	
Datum		Projekt	Skala	Format/Ritn.nr	Sida / Av	Rev	
--			1:1	A3.	/		