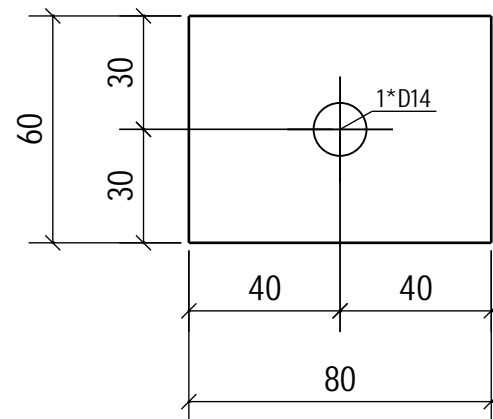


In Assembly	Pcs	In Assembly	Pcs	In Assembly	Pcs	In Assembly	Pcs
P-30	4						



MATERIAL LIST FOR PART D-21						Manufactured - pcs			4					
Pos	Profile - Type	Size	Material	Pcs	kg/pc	Remark								
D-21	PL10	60*80	AISI316	1	0.4									
Rev.	Revision	Dsg.	Chk.	App.	Date									
DISTRICT/VILLAGE		BLOCK/ESTATE	BUILDING LOT	AUTHORIZATION NOTES		RATU								
BUILDING ACTION			DRAWING CATEGORY			ARCHIVING CODE								
PROJECT NAME			DRAWING CONTENT			SCALE 1:2								
			SINGLE PART DRAWING D-21, STÅLPLATE											
DESIGNER		DATE	CHECKER	ACCEPTOR										
			DESIGN FIELD	PROJECT NUMBER		REVISION								
			STR											
			DWG. NO.		PAGE									
			FREVAR SYFA		D-21									
Proj.nr.		Ritn.nr - JP	Ritad	Godkänd	Datum	Dok.typ	Avd.kod							
		FREVAR SYFA				K								
AFRY			SINGLE PART DRAWING D-21, STÅLPLATE			Plats.nr								
Ritad						Grupp.nr								
						-								
Granskad						-								
Godkänd						-								
Datum						-								
--						-								
Projekt			Skala			Format/Ritn.nr			Sida / Av			Rev		
			1:2			A3.			/					