

Moonpool luke / Moonpool bunnluke

Jobbdetaljer

Start Dato	20.11.2022	Utføres av	Verksted	<input checked="" type="checkbox"/> Kritisk jobb
Varighet	4 Dag(er)	Valgte leverandør		<input type="checkbox"/> Klassejobb
Fremdrift	0%	Ekstern Jobb Nr.		
		Jobbansvarlig	Maskinsjef	
		Kontrolleres av	Reders representant	

Lokasjon

Denne jobben gjelder følgende komponenter/utstyr:

302.007 Moonpool bunnluke

Følgende tjenester skal inkluderes som en del av arbeidsomfanget og omfattes av oppgitt pris for arbeidet:

Rengjøring før, trykktesting, Maling, belysning.

Nødvendig materiale for utførelse av arbeidet skal leveres av Verkstedet.

Jobbeskrivelse

Alle slanger på moonpool luke skal skiftes i dokk.

Sensorer rengjøres eller skiftes ved skade.

Bolter og innfesting til luke sjekkes.

Alle sinkanoder skiftes i område.

Det skal gjøres funksjonstest før utdocking.

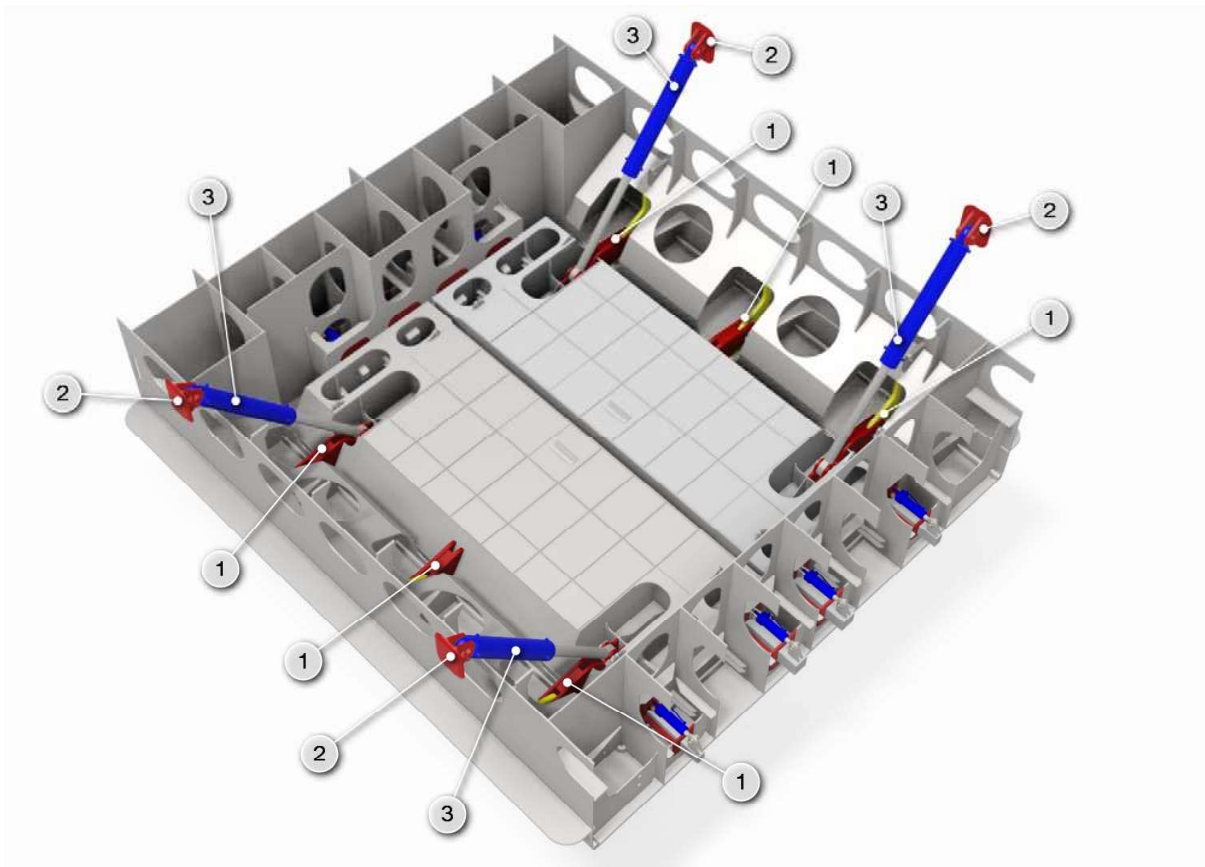
Vedlegg

Filnavn	Filbeskrivelse	Filstørrelse (kb)
Moonpool hatch.pdf	Moonpool hatch	406 kb
006255GG16600001_01 Moonpool.pdf	006255GG16600001_01 Moonpool	549 kb

Moonpool Bottom Hatch (E1)

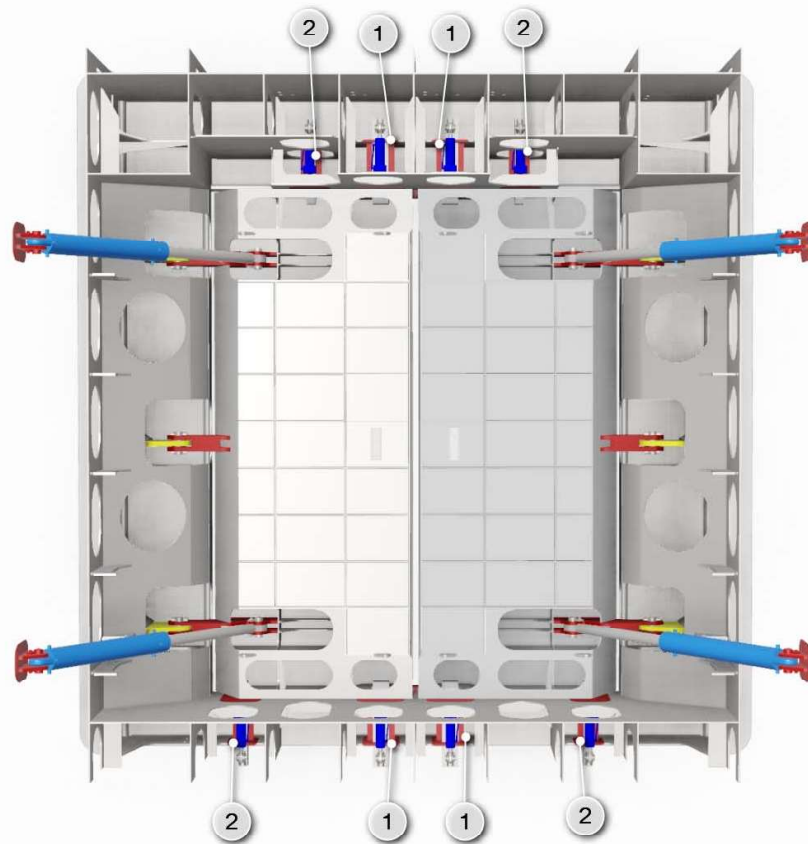


Location of Moonpool bottom hatch



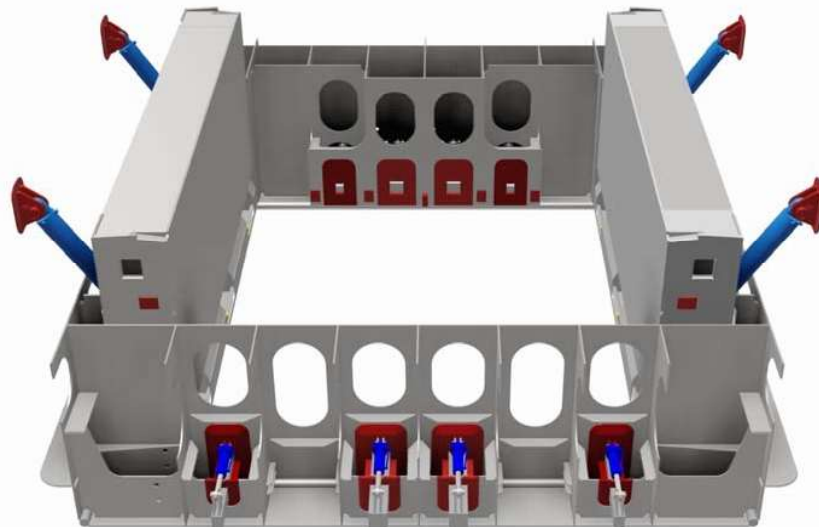
Moonpool Hatches, Iso view, Closed position

1. Hinge
2. Cylinder clevis bracket
3. Main cylinder



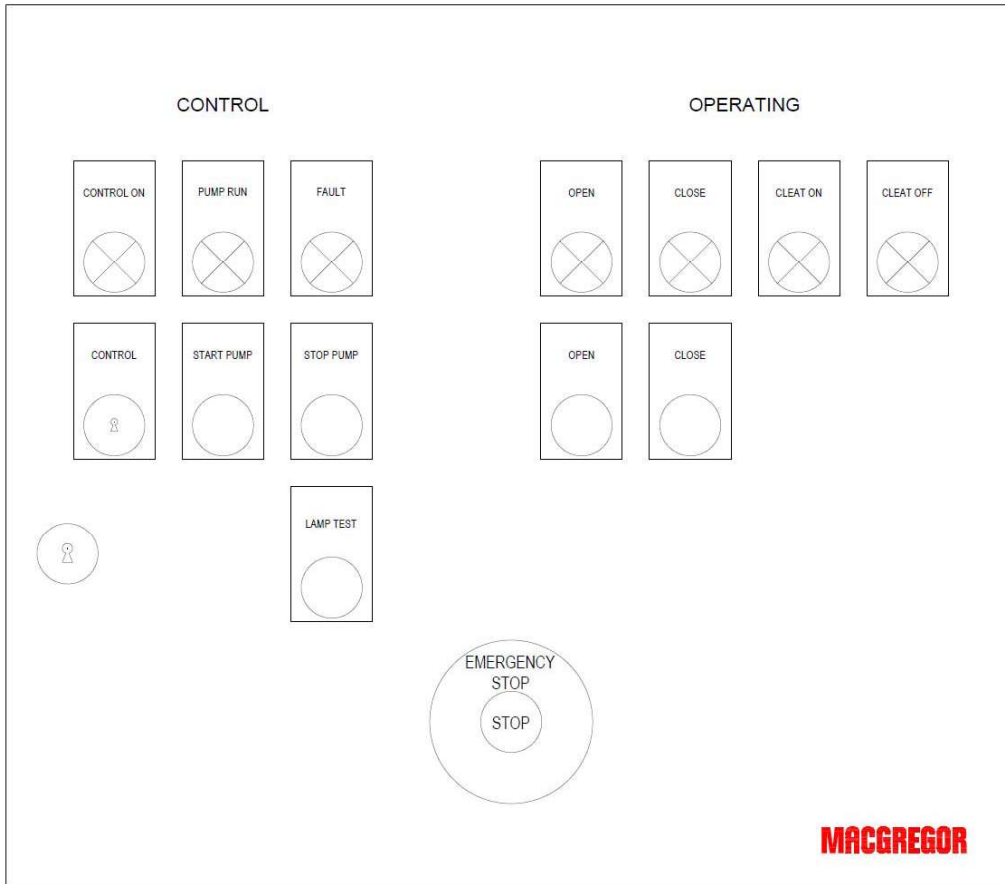
Moonpool bottom hatches, Top view, Closed position

1. Locking device A
2. Locking device B



Moonpool bottom hatch, Opened position

Operating panel



Operating panel for Moon-pool bottom hatches

CONTROL

- | | | |
|---|------------|---|
| | CONTROL ON | Operating is enable |
| ⊗ | PUMP RUN | Pump is running |
| ⊗ | FAULT | Alarm from motor starter |
| ⌘ | CONTROL | Key switch to activate the operating panel |
| ○ | START PUMP | Start the pumps |
| ○ | STOP PUMP | Stop the pumps |
| ○ | LAMP TEST | Testing of all lamps on the operating panel |

OPERATING

- | | | |
|---|-----------|--------------------------|
| ⊗ | CLEAT ON | The cleats are ON |
| ⊗ | CLEAT OFF | The cleats are OFF |
| ⊗ | OPEN | The hatch is open |
| ⊗ | CLOSE | The hatch is closed |
| ○ | OPEN | Press to open the hatch |
| ○ | CLOSE | Press to close the hatch |

EMERGENCY STOP

Operation of Moonpool Bottom Hatch



WARNING

Read "Safety precautions for operation" before any operation.

Operating

Before operation, turn key switch CONTROL to ON.
Press LAMP TEST to check that all indicating lamps are working.
Start all pumps before operation and stop them afterwards

Opening

1. Press button OPEN until hatches are fully open and panel lamp OPEN turns on

Closing

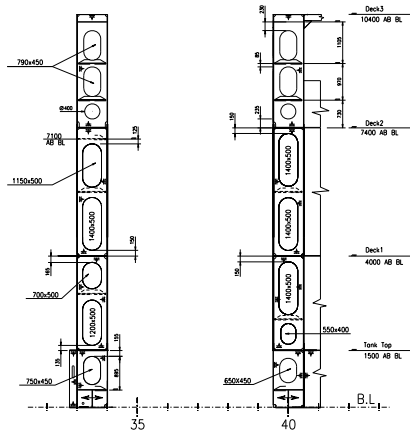
1. Press button CLOSE until hatches are fully closed and panel lamps CLOSED and LOCKED turns on

Emergency operation

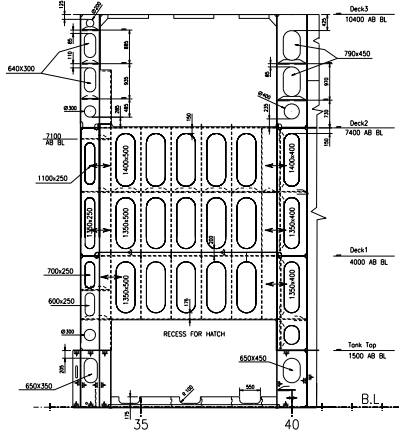
The moon-pool bottom hatches are equipped with lifting eyes for potential emergency operation with external means (i.e. crane).

If hatch cannot be normally operated:

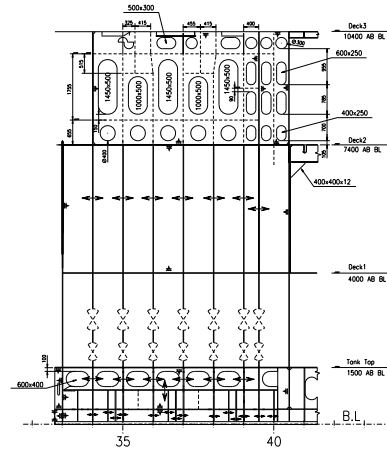
1. Detach main operating cylinder
2. Retract locking bolts with hand pump
3. Rotate and open hatch using lifting eyes



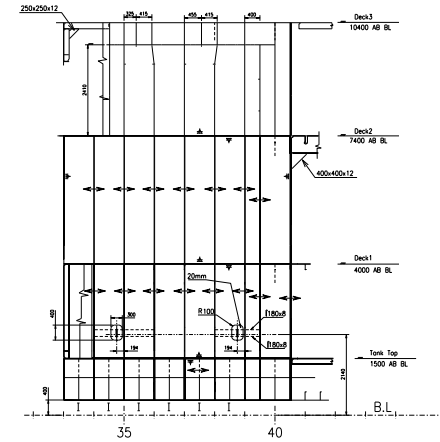
Long. Section on C.L.
PLATE mm 12 STIFF. #100x15 U.N.O.



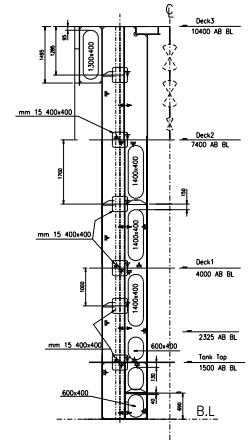
Long. Section 1800 from C.L.
PLATE mm 12 STIFF. #100x15 U.N.O.



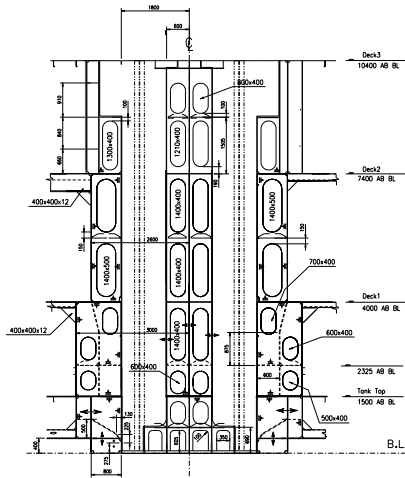
Long. Section 2600 from C.L.
PLATE mm 12 STIFF. #100x15 U.N.O.



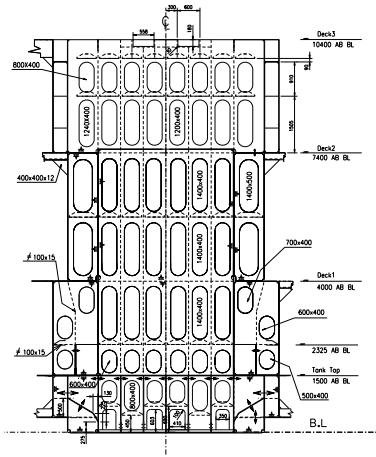
Long. Section 3000 from C.L.
PLATE mm 12 STIFF. #100x15 U.N.O.



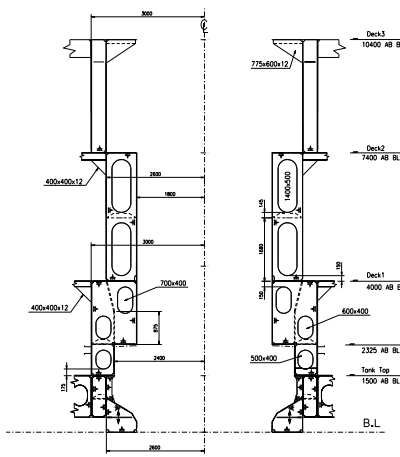
Frame 34-300
PLATE mm 12 STIFF. #100x15 U.N.O.



Frame 34
PLATE mm 12 STIFF. #100x15 U.N.O.



Frame 39+400
PLATE mm 12 STIFF. #100x15 U.N.O.

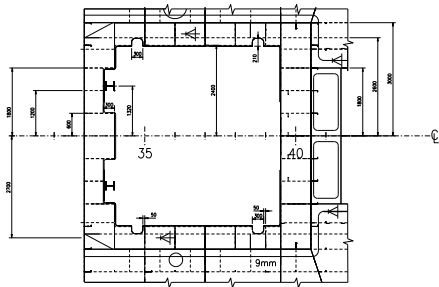


Typ. Frame
PLATE mm 12 STIFF. #100x15 U.N.O.

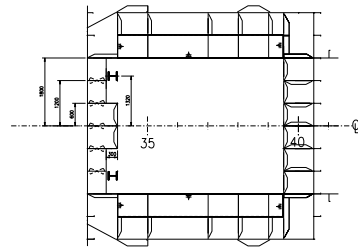
NOTE:
MATERIAL: NV -36

REVISIONS		DATE		BY		CHECKED	
1	15.04.14	Issued for approval					
2							
3							

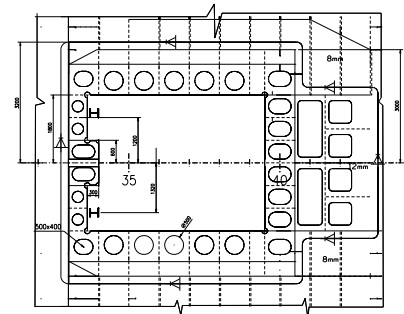
PROJECT: MOONPOOL		SHEET: 1 OF 3	
DRAWING NO: 08-6543-00-200-170-01		SCALE: 1:50	
PROJECT MANAGER: [Signature]		DESIGNER: [Signature]	
CHECKED: [Signature]		DATE: 15.04.14	



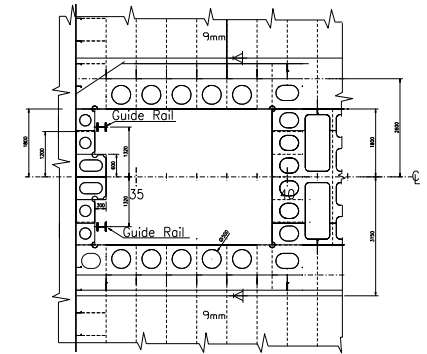
Tanktop 1500mm above B.L.
PLATE mm 12



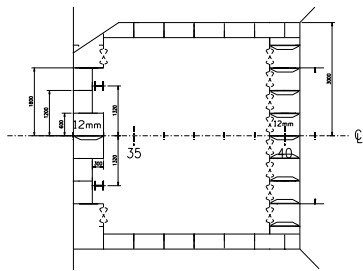
Tanktop 2325mm above B.L.
PLATE mm 12



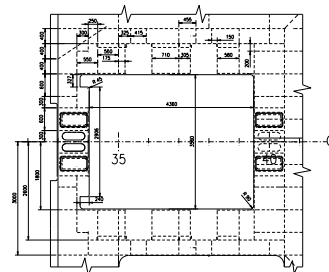
Tanktop 4000mm above B.L.
PLATE mm 12



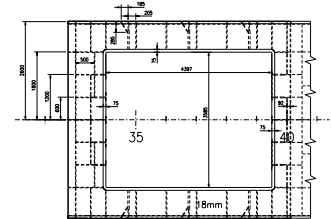
Tanktop 7400mm above B.L.
PLATE mm 12



Tanktop 8130mm above B.L.
PLATE mm 12



3rd.Deck 10400 above B.L.
PLATE mm 12

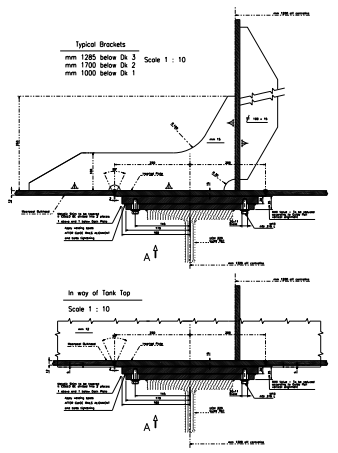
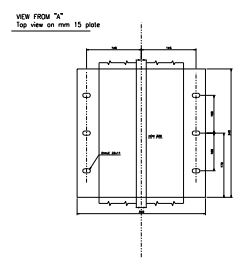
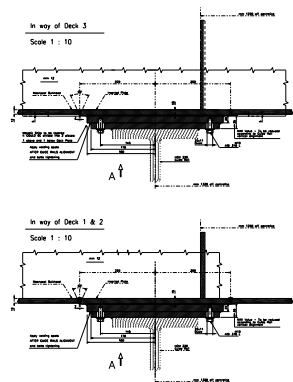
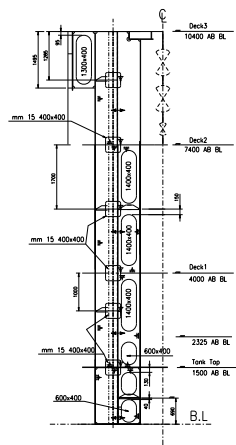


Keel view from below

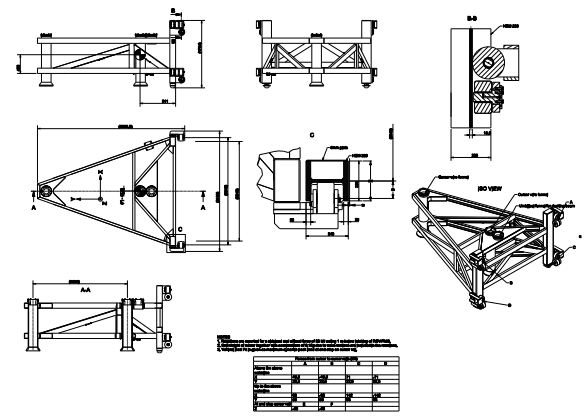
- FULL PENETRATION WELDS TO BE PROVIDED FOR ALL THE STRUCTURES AT THE SEA
NOTE:
MATERIAL: NV -36

REVISIONS		DATE		BY		CHECKED	
1	15.04.14	Issued for approval					
Rev.	Date	Reason for Issue	Rev.	Date	By	Checked	Approved

CUSTOMER		TITLE	
FINCANTIERI		MOONPOOL	
Drawing No. 6255		SHEET 2 OF 3	
		DOCUMENT NO. 08-6543-00-200-170-01 Scale 1:50 Project AD Version 1.0	



Frame 34-300
 PLATE mm 12 STIFF. #100x15 U.N.O.
 Scale 1 : 50



* FULL PENETRATION WELDS TO BE PROVIDED FOR ALL THE STRUCTURES AT THE SEA
 NOTE:
 MATERIAL: NV -36

COMPANY FINCANTIERI	DRAWING NO. 08-6543-00-200-170-01	SHEET SHEET 3 OF 3	SCALE 1:50
PROJECT MOONPOOL	REVISION 1.0	DATE 2008-08-01	DRAWN BY AD