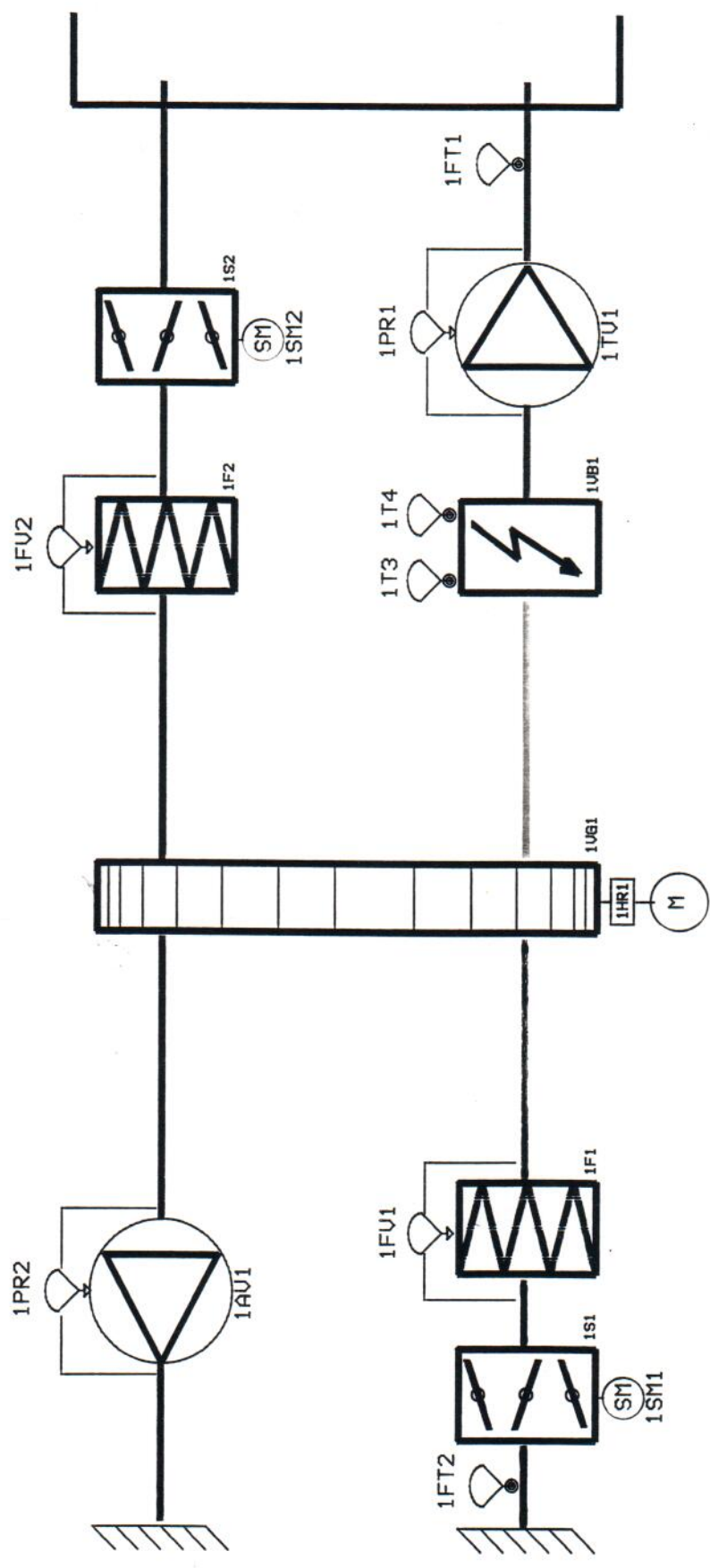


0	1	2	3	4	5	6	7	8	9	10	11	12	13	14
---	---	---	---	---	---	---	---	---	---	----	----	----	----	----



HAMSTAD ÅVS
 BJØRNSONSGT. 29
 5037 SOLHEIMSVIKEN
 TLF.: 55-291130 FAX.: 55-291145

ORDRE NR.: 425070
 Ø8. NOV. 1994
 REV.:

TEGNING NR.: ØØ1

ANLEGG.: KLEPPE VANNVERK
 VENTILASJONSANLEGG