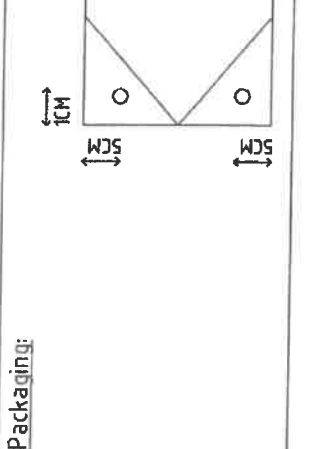


Packaging:	Country	NOR	City	Oslo
	Institution	Rikshospitalet Oslo		
	Circuit Type	New Born Pack		
	Article-No.	70105		
	Valid fr.	20		



see photo  
resme bakiniz

Tyvekband

close sterile bag with gas tape and  
additional 07515 velcroband. Must be tight!  
sterile forbayı gasband ve 07515 ile kapatınız  
07515 velcroband çok sıkı olmalıdır.



Açılışı sağa doğru / clamps open right:

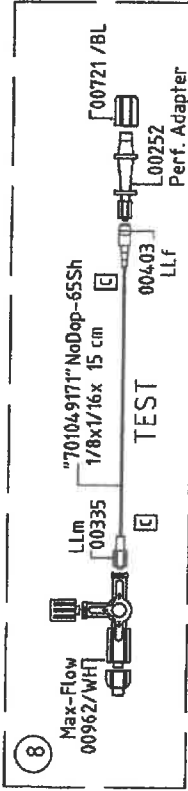
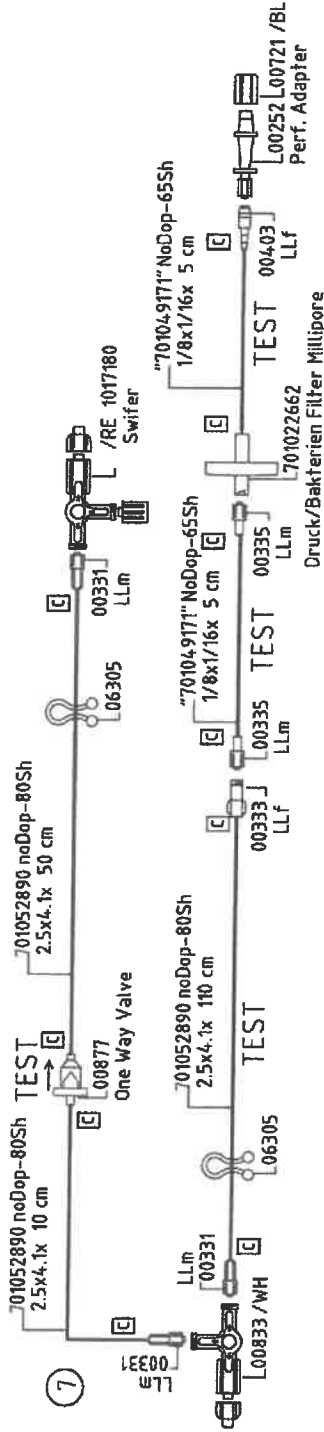
1031241  
1051841  
1031240  
1035753

1 Plate  
1 Clamp  
4 Clamp  
5 Rivet

04166  
04310  
07515

double face  
double bant

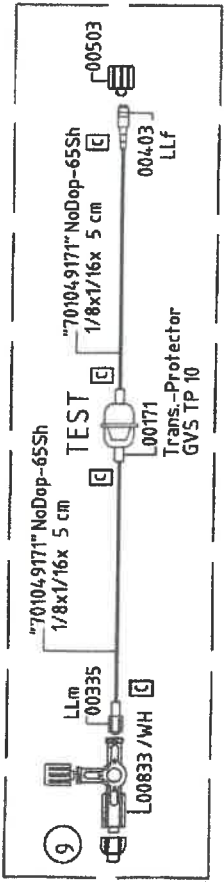
1 Sterile Bag  
1 BE-Label small  
0,25m Band



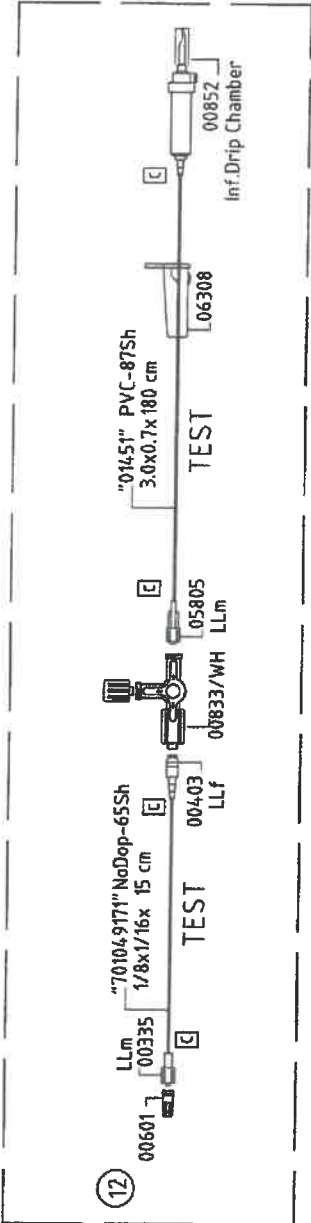
1 Sterile Bag 04192  
1 Label small 04137 Exp. date

Packaging:

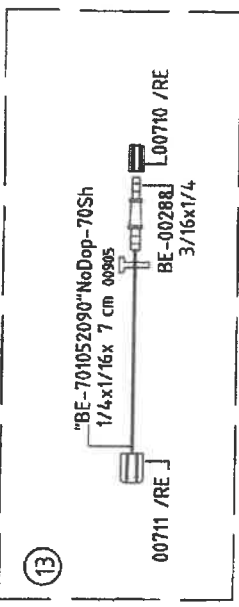
Country	NOR	City	Oslo
Institution	Rikshospitalet Oslo		
Circuit Type	New Born Pack		
Article	701		
Valid	07-2024		
Page	2 / 6		



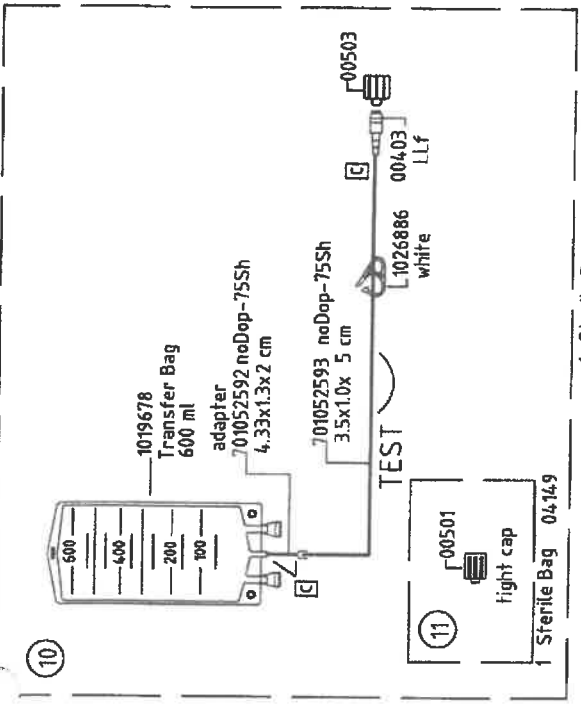
1 Sterile Bag 04.136  
1 Label small 04.137  
Exp. date



1 Sterile Bag 04.150  
1 Label small 04.137  
Exp. date



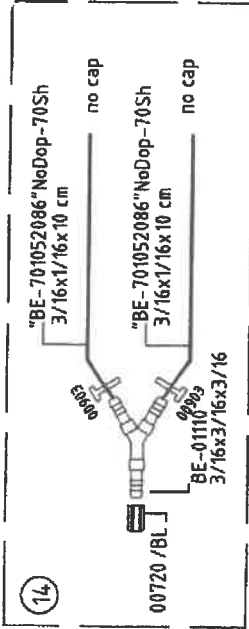
1 Sterile Bag 04.192  
1 Label small 04.137  
1 BE-Label small 04.310  
Exp. date



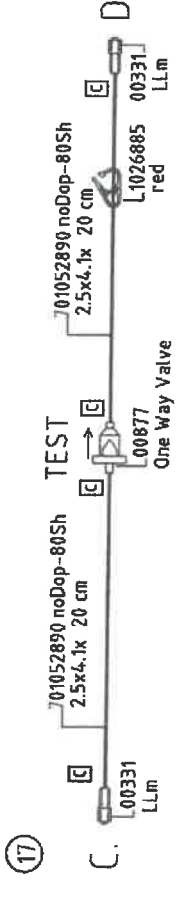
1 Sterile Bag 04.136  
1 Label small 04.137  
Exp. date

**Packaging:**

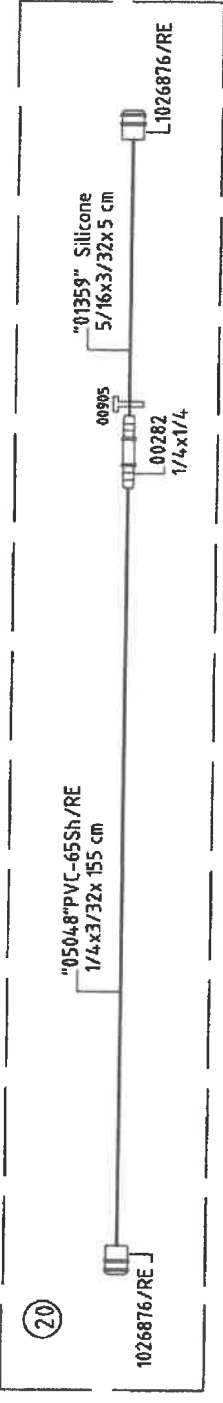
Country	NOR	City	Oslo
Institution	Rikshospitalet Oslo		
Circuit Type	New Born Pack		
Article-N	7010	All desc	reserved
FB-2224 / Valid fr. /			108
Page			3 / 6



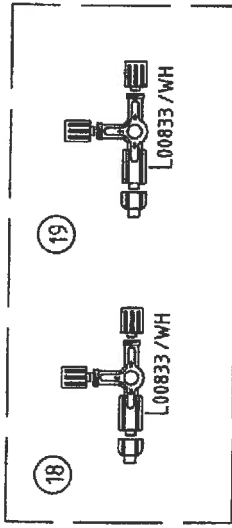
1 Sterile Bag 04192  
 1 BE-Label small 04310



**⚠ Fix on reservoir with two gastape - see photo  
 iki gasbant ile rezervuara sabitleyiniz - resme bakiniz**



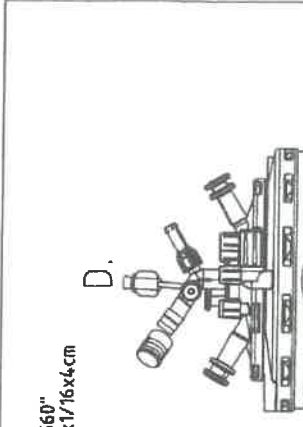
1 Sterile Bag 04150  
 1 Label big 04148 Moisture Trap



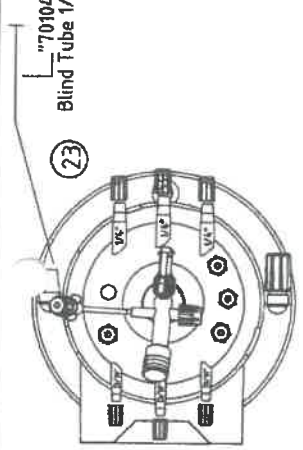
1 Sterile Bag 04191  
 1 Label small 04137

Packaging:

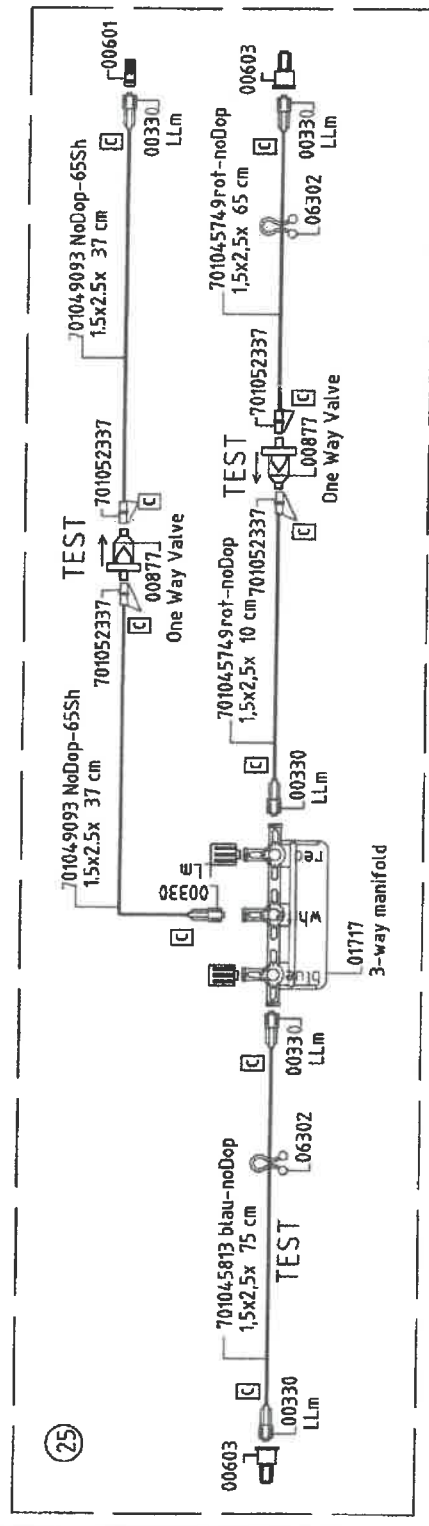
Country	NOR	City	Oslo
Institution	Rikshospitalet Oslo		
Circuit Type	New Born Pack		
Article-No.	7010530		
Article-Ver	B-1224 / Ver		
Article-Valid fr.	2018.		
All design, res.	red		
Page	18		
Page	/ 6		



resme bakiniz/ see photo

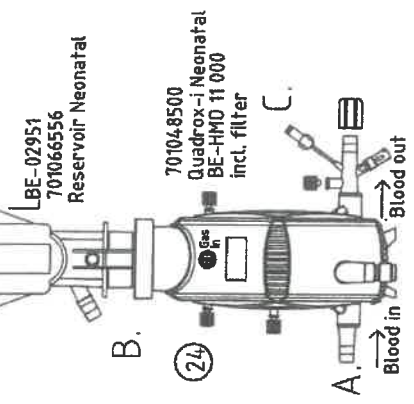


resme bakiniz/ see photo



1 Sterile Bag  
1 Label small  
Exp. date 04.136 04.137

26 3 Lot Label, grey 1020612 enclosed not glued yapistir mayiniz



<b>Package:</b> 1 Tray (80x40x21,5cm) 07537 1 Insert IP3 Quadrox-i Neo. 701052907 3 Velstrap short 1032803 1 Tyvekcover 07561 3 Label big 04148 → tray 1 Label big 04148 → carton 1 BE-Label middle 04321 1 BE-Label big 04301 1 Label big JCTS 1030276 1 Paper between 07006 1 Carton 07005	<b>Country</b> NOR <b>Institution</b> Rikshospitalet Oslo <b>City</b> Oslo	<b>Article-No.</b> 70105 <b>Valid fr.</b> 20 EB-1224 / V	<b>Page</b> 108 5 / 6