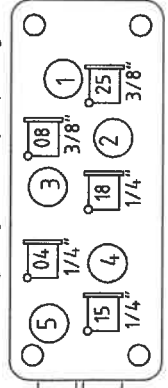


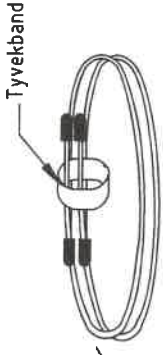
<b>Packaging:</b>  position of weld yerine dikkat ediniz	Country <b>NOR</b>	City <b>Oslo</b>
	Institution <b>Rikshospitalet Oslo</b>	Article-N <b>7010</b>
Circuit Type <b>Small Adult Pack</b>	All desc reserved	Page <b>1 / 5</b>

6 Açılışı sağa doğru / clamps open right:

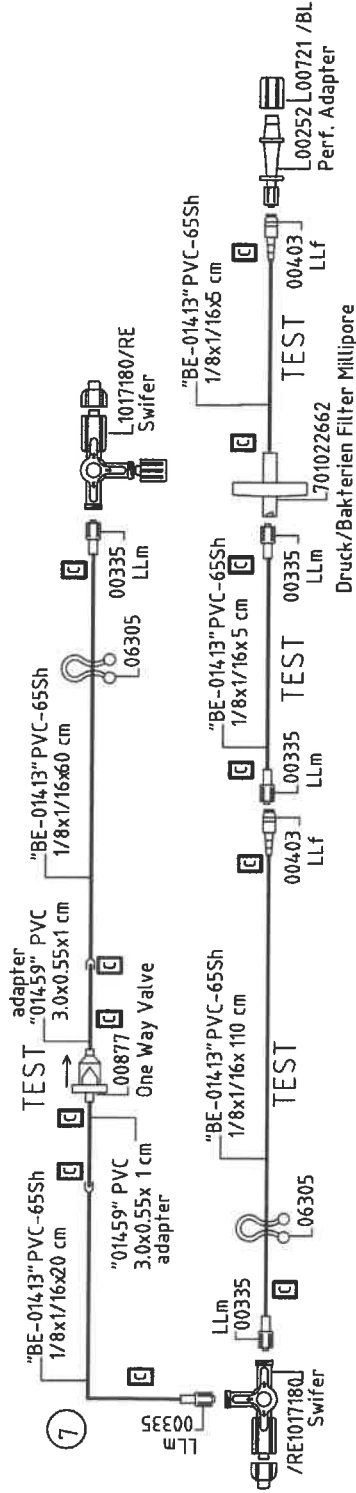


- 1 Plate 1031241
- 2 Clamp 1031239
- 3 Clamp 1031240
- 5 Rivet 1035753

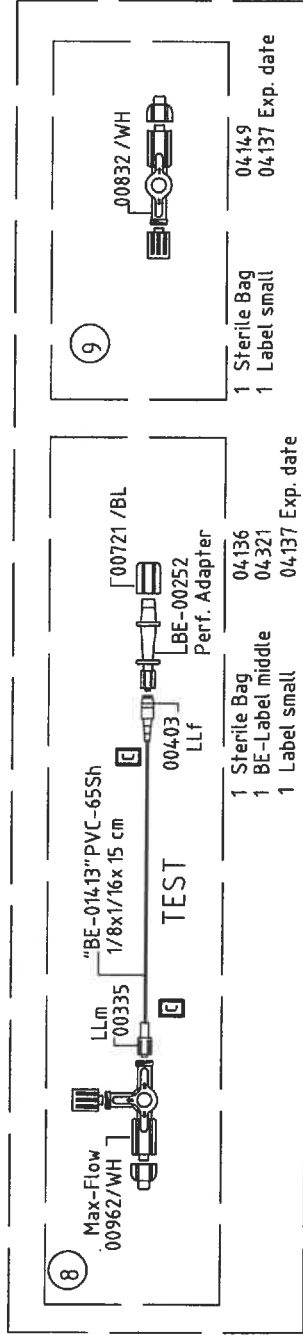
close sterile bag with gas tape and additional 07515 velcroband. Must be tight sterile forbabyi gasband ve 07515 ile kapatınız 07515 velcroband çok sıkı olmalıdır.



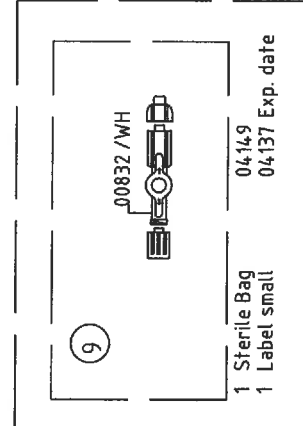
- 1 Sterile Bag 07039 cut to 10 cm / 10 cm kesiniz
- 0.25m Band 07515
- 1 BE-Label small 04310



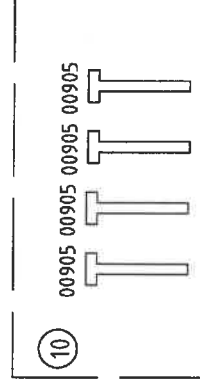
Druck/Bakterien Filter Millipore



- 1 Sterile Bag 04136
- 1 BE-Label middle 04321
- 1 Label small 04137 Exp. date



- 1 Sterile Bag 04149
- 1 Label small 04137 Exp. date



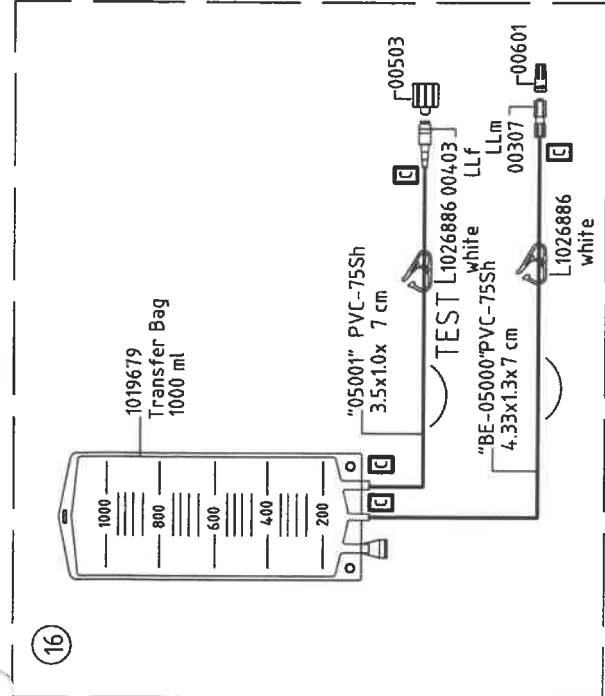
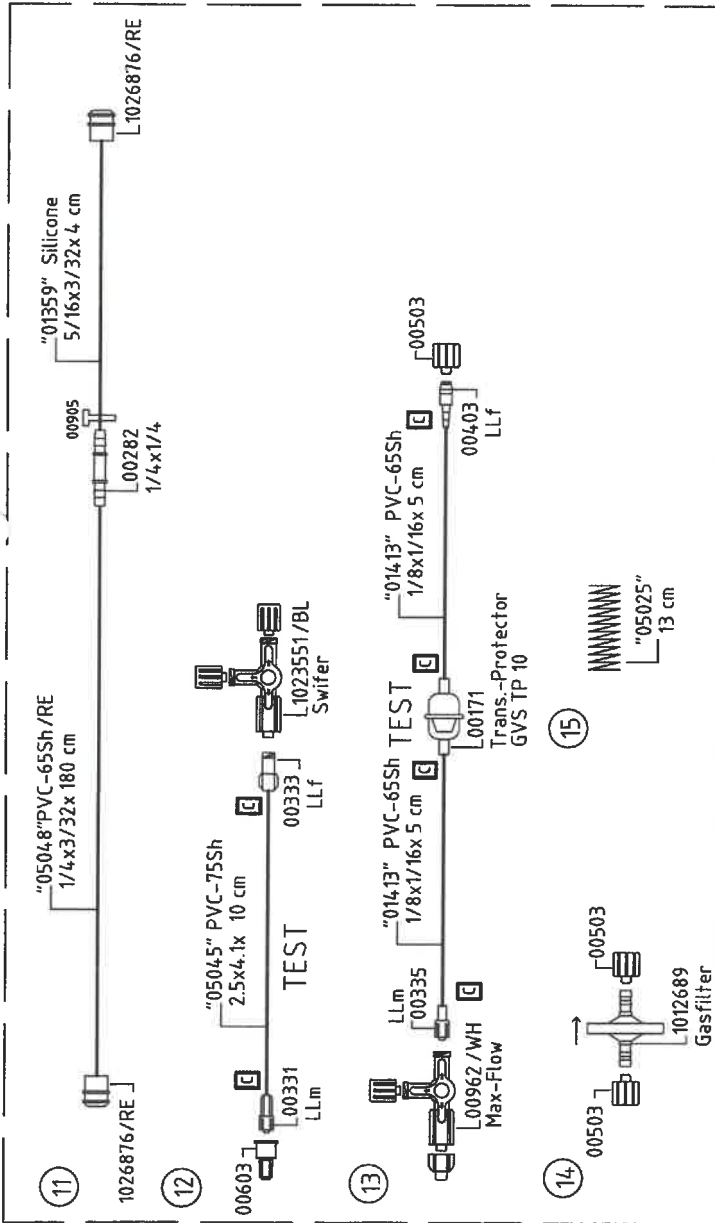
- 0.30 m Sterile Bag 04104
- 1 Label small 04137 Exp. date

Packaging:

Country NOR  
Institution Rikshospitalet Oslo  
City Oslo  
Circuit Type Small Adult Pack

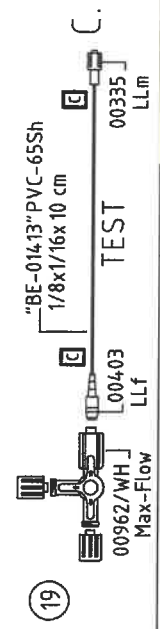
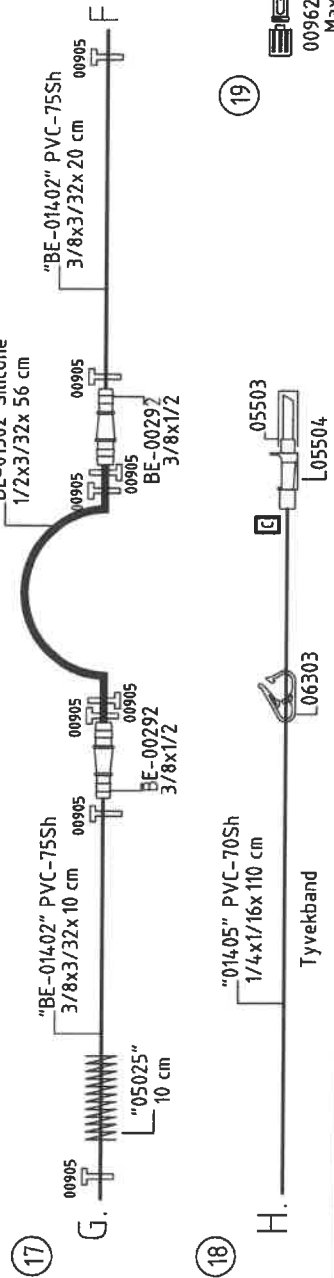
All design Article-No 70105  
FB-1224 / Valid fr. 24

109  
age 2 / 5



- 1 Sterile Bag 04136
- 1 BE-Label middle 04321
- 1 BE-Label small 04137 Exp. date

- 1 Sterile Bag 04150
- 1 Label big 04148 Moisture Trap



Packaging:

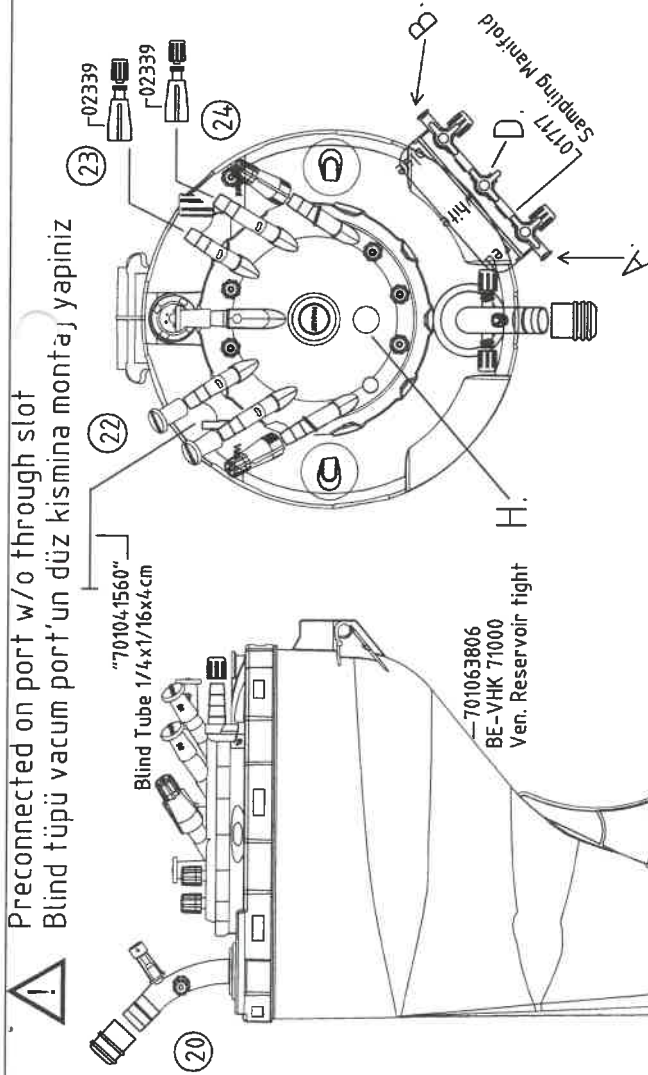
Country	NOR	City	Oslo
Institution	Rikshospitalet Oslo		
Circuit Type	Small Adult Pack		
All design.	Article-No.		
	701053		
	BE-0224 / V		
	Valid fr. 201		

erved

09

3e  
3 / 5

Preconnected on port w/o through slot  
Blind tüpü vacum port'un düz kısmına montaj yapınız



25

26

27

28

29

30

"05045" PVC-75Sh  
2.5x4.1x 15 cm

"05045" PVC-75Sh  
2.5x4.1x 30 cm

"05045" PVC-75Sh  
2.5x4.1x 27 cm

"05039" PVC-Gas /GR  
1/4x1/16x4.0 cm

"BE-01413" PVC-65Sh  
1/8x1/16x33 cm

"01459" PVC  
3.0x0.55x1 cm

00603 LLM

00331 LLM

00331 LLM

00905

00601 LLM

00335 LLM

00877 One Way Valve  
TEST

00877 One Way Valve  
TEST

00877 One Way Valve  
TEST

00877 One Way Valve  
TEST

00877 One Way Valve  
TEST

00331 LLM

00331 LLM

00331 LLM

00331 LLM

00335 LLM

00335 LLM

00603 LLM

00331 LLM

00331 LLM

00331 LLM

00335 LLM

00335 LLM

00877 One Way Valve  
TEST

00877 One Way Valve  
TEST

00877 One Way Valve  
TEST

00877 One Way Valve  
TEST

00877 One Way Valve  
TEST

00877 One Way Valve  
TEST

00331 LLM

00331 LLM

00331 LLM

00331 LLM

00335 LLM

00335 LLM

00603 LLM

00331 LLM

00331 LLM

00331 LLM

00335 LLM

00335 LLM

00877 One Way Valve  
TEST

00877 One Way Valve  
TEST

00877 One Way Valve  
TEST

00877 One Way Valve  
TEST

00877 One Way Valve  
TEST

00877 One Way Valve  
TEST

- 1 Sterile Bag 04136
- 1 BE-Label middle 04321
- 1 Label small 04137 Exp. date

3 Lot Label, grey 1020612 enclosed not glued yapistirilmayiniz

**Packaging:**

- 1 Tray(785x385x24.0mm) 701066926
- 1 Insert VHK 71000 701063333
- 1 Velsrap long 1032804
- 1 Inlay Quadrox-i 701063334
- 1 Velsrap short 1032803
- 1 Tyvekcover 07561
- 04148 → tray
- 04148 → carton
- 04321
- 04301



see page 5  
sayfa 5'e bakınız

Country

NOR

City

Oslo

Institution

Rikshospitalet Oslo

Article-No.

701053

Circuit Type

Small Adult Pack

All design, re

FB-1224 / Veri

Valid fr. 2018

revd

09

1 / 5