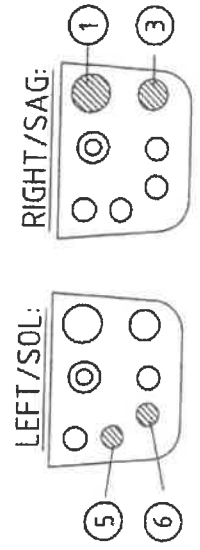


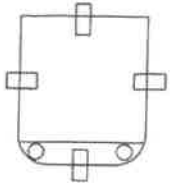
ackaging:

- 1 Sterile Bag 04-103
- 1 BE-Label small 04-310

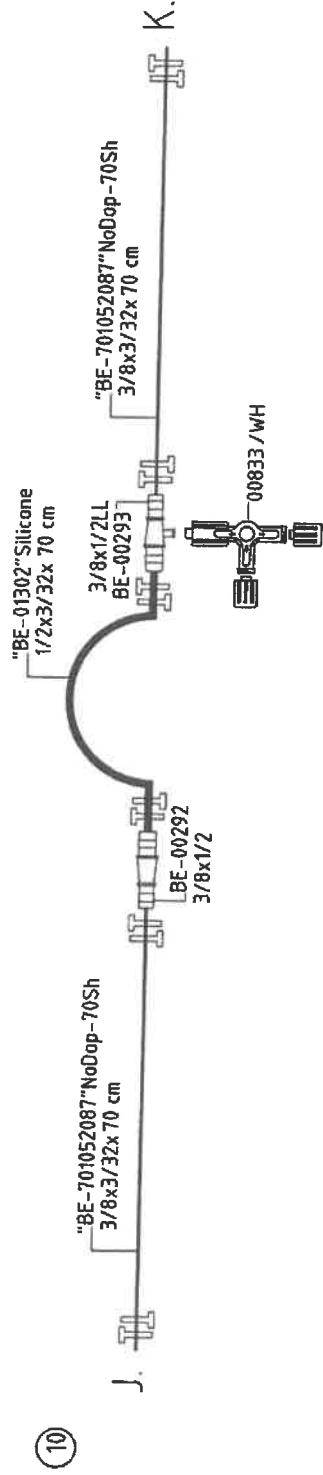
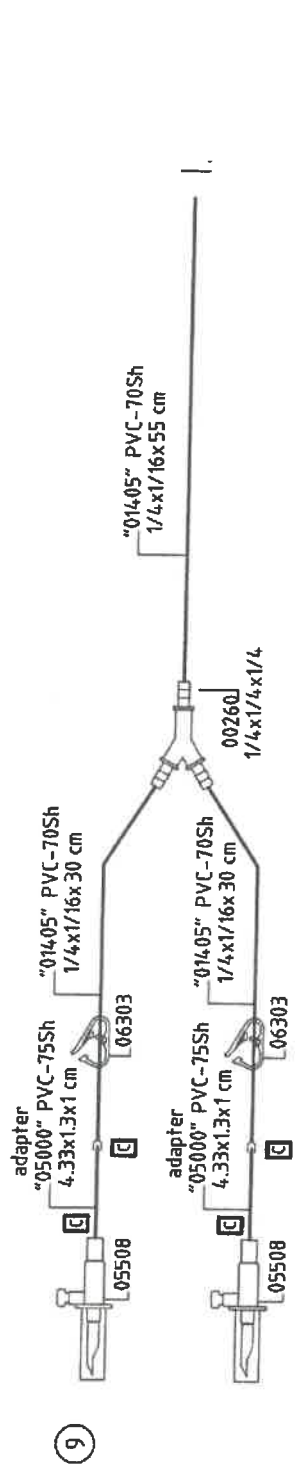
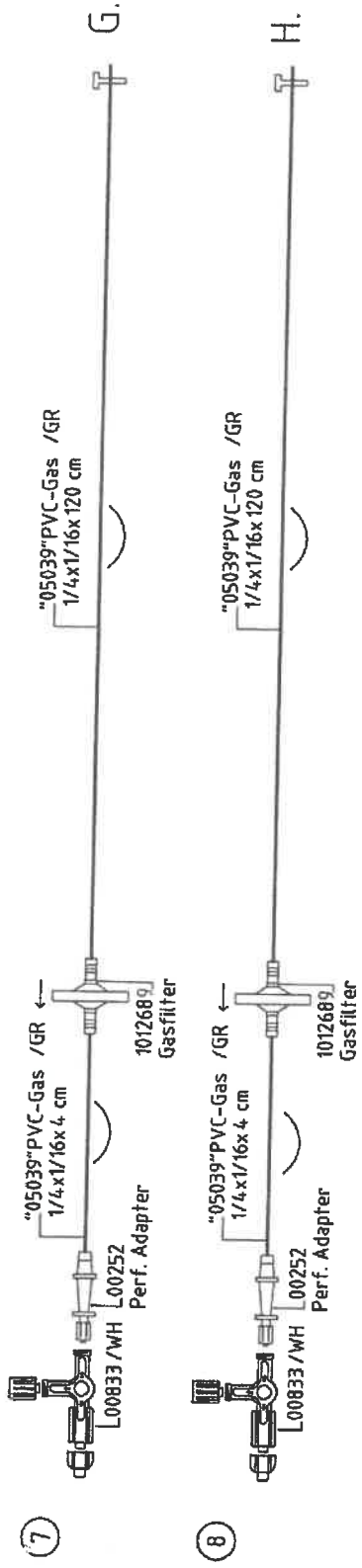
- 1 UniTray (big) 1031197
- 1 UniTray Cover 1031198
- 2 Foamp. UniTray 1027882
- 1 BE-Label small 04-310



4 adet gasband ile kapatınız / closed with 4 steritapes

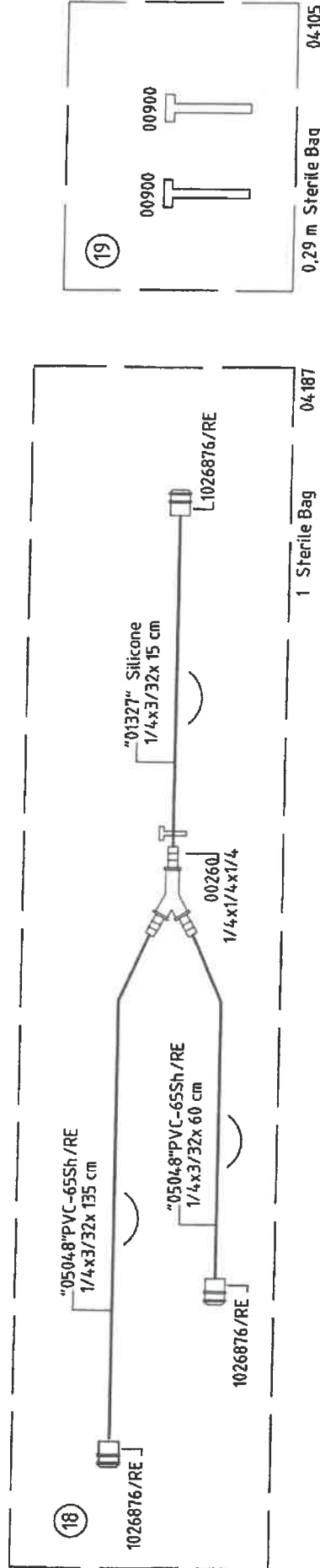
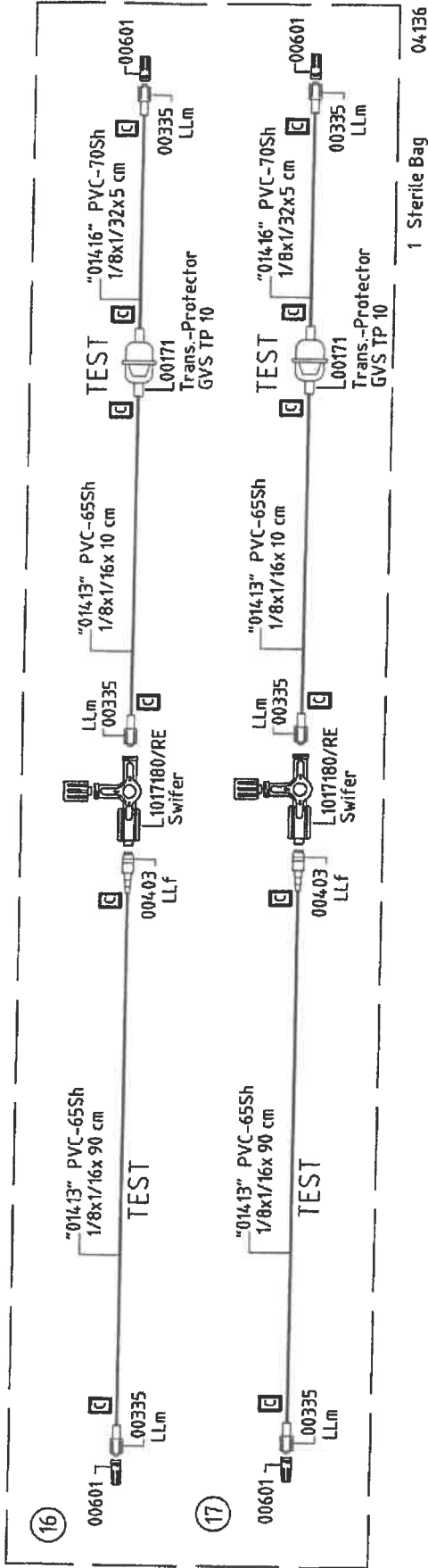


Country	NOR	City	Oslo
Institution	Ullevål Hospital		
Circuit Type	Adult Pack		
All units	70107		
Article-No	70107		
Drawn by	N I A L		



ackaging:

Country	NOR	City	Oslo
Institution	Ullevål Hospital		
Circuit Type	Adult Pack		
Article-N	7010	All date	
Drawn by	N J A B	reserved	7903
Page	6		



ackaging:

Country NOR
City Oslo
Institution Ullevål Hospital

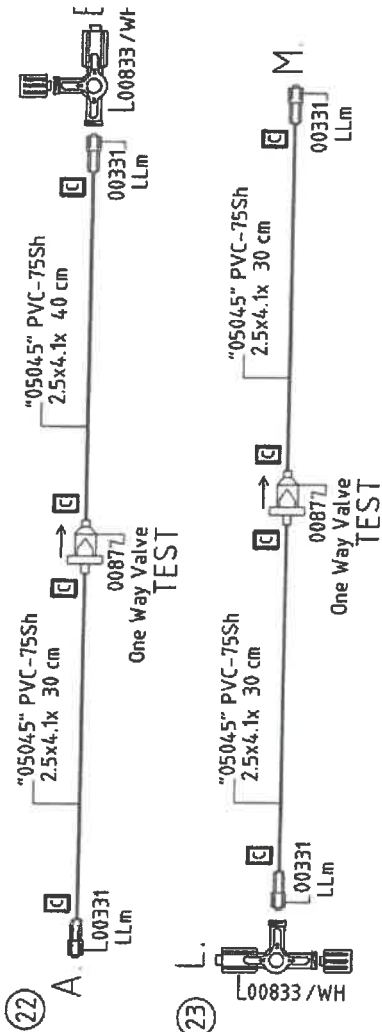
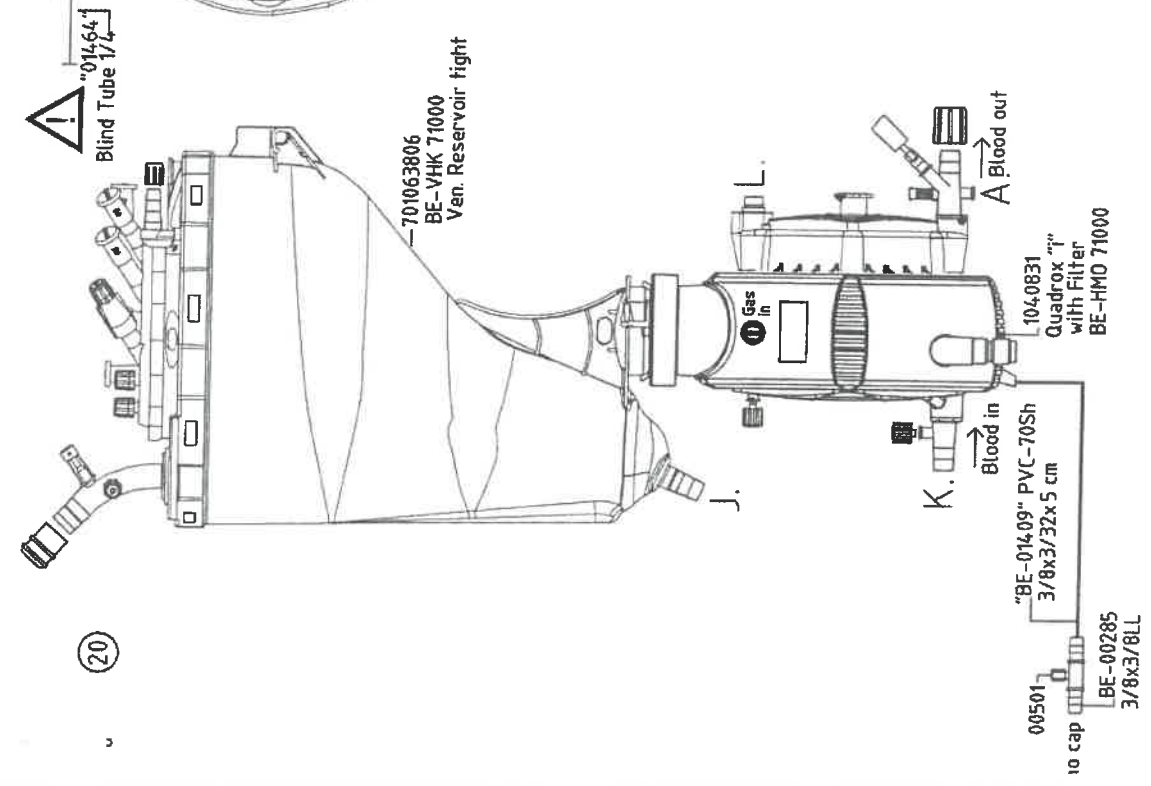
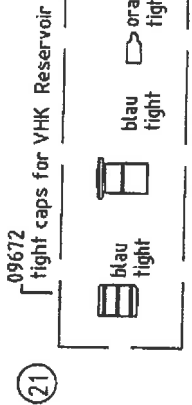
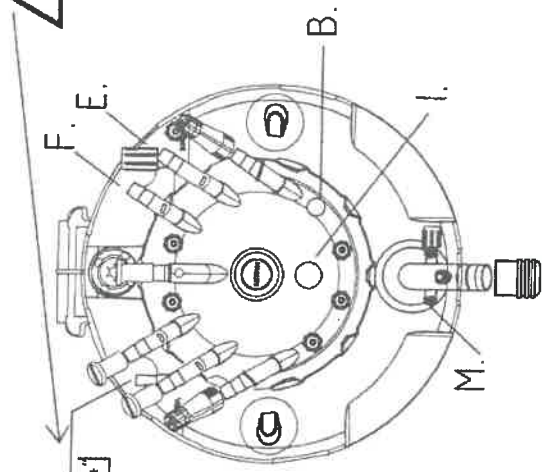
Circuit Type Adult Pack

Article: 701
Drawn by: A. J.

Page 4



Preconnected on port w/o through slot
Blind tüpü vacum port'un düz kısmına montaj yapiniz



1 Label small 04.137 enclosed / not glue

ackaging:

- 1 Tray (80x60x26cm) 07535
- 1 Insert VHK 71000 701063333
- 1 Velsstrap long 1032804
- 1 Insert HMO 70000 701063334
- 1 Velsstrap short 1032803
- 1 Tyvekcover 07560
- 2 Label big 04.148
- 1 BE-Label middle 04.321
- 1 BE-Label big 04.301
- 1 Label big JCTS 1030276
- 1 Paper between 07528
- 1 Carton 07521
- 1 IFU BMU Sensor and Cell 104.104.9
- 1 IFU Sucker 34.0012
- 1 IFU Transfer Bag 701055018
- 1 IFU VHK 70000/71000 701062629
- 1 IFU Quadrox 70000 1034830
- 1 IFU Bioline 34.0035
- 1 IFU HLM Pack 04.248

Country	NOR
City	Oslo
Institution	Ullevål Hospital
Circuit Type	Adult Pack
Article-	7010
Drawn by	N. A.