

FORSVARETS LOGISTIKKORGANISASJON

TEKNISK HÅNDBOK for Hydramarine Davit HMD A32 Mk3 og HMD A82 user manual, SJP 2312, SFI-501 for Nornen KL Kystvakt, fastsettes til bruk i Sjøforsvaret.

Haakonssvern, Mars - 2013

***Geir Kilhus***

Kommandør

Sjef for Maritime Systemer

**UGRADERT**

SJP 2312

**LEVERANDØR og PRODUSENT:**

HYDRAMARINE AS

Andøyveien 23

4623 Kristiansand

NORWAY

Tlf.: + 47 – 38 01 87 00

Fax: + 47 – 38 01 87 01

E-mail: [aftersales@hydramarine.no](mailto:aftersales@hydramarine.no)

Web Adresse: [www.scanpacificmarine.com](http://www.scanpacificmarine.com)

**UGRADERT**

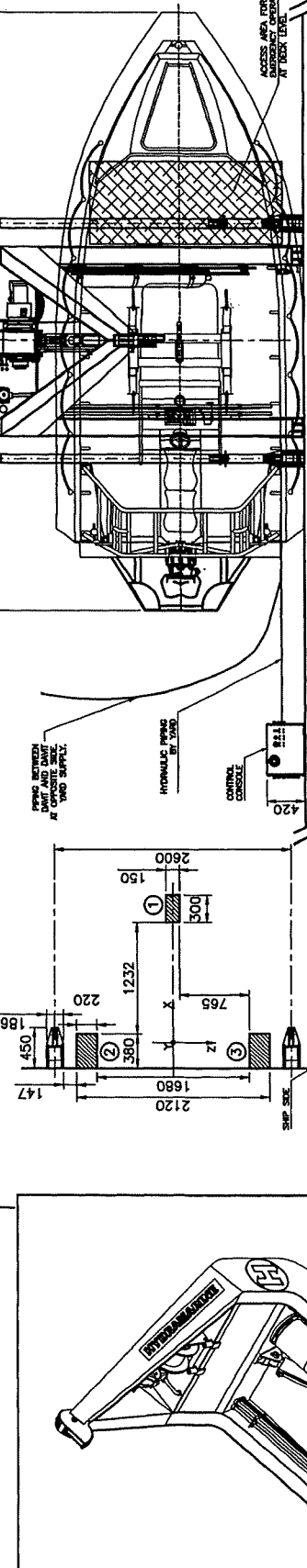
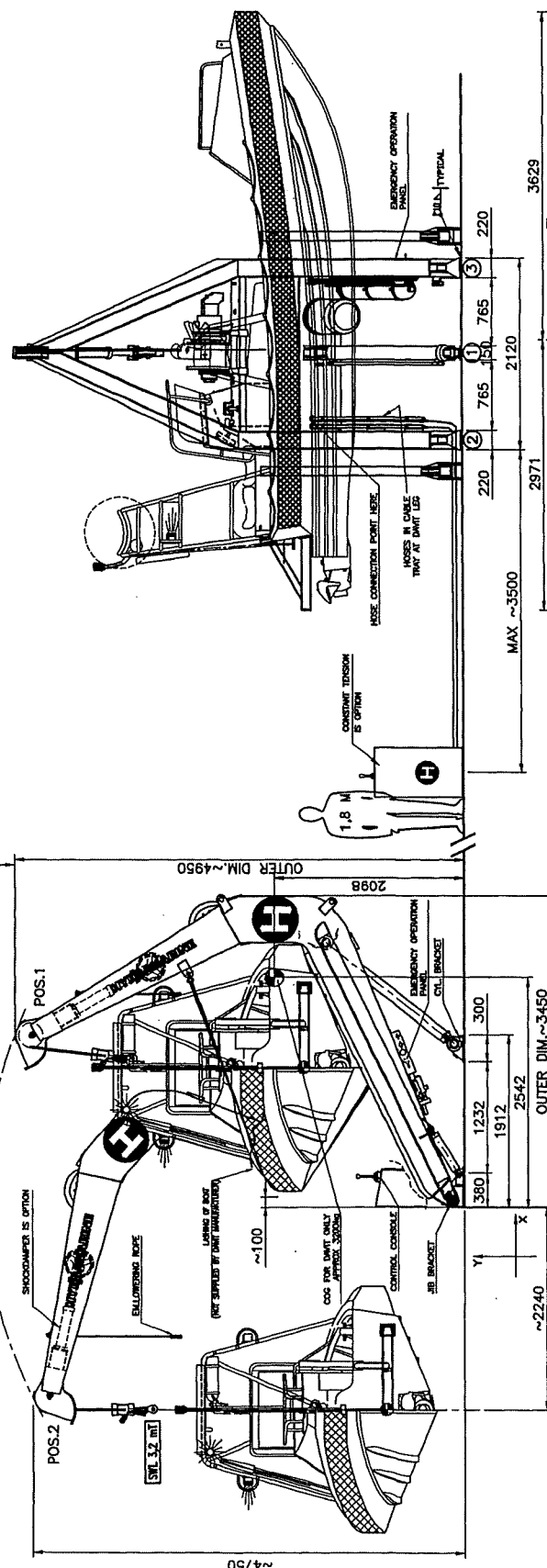
ORIGINAL  
(Baksiden blank)

# DAVIT TYPE: HYDRAMARINE HMD A-32 MK3

This document and all data disclosed herein are the confidential and proprietary property of HYDRAMARINE AS and shall remain the property of HYDRAMARINE AS in whole or in part by or to anyone without the written permission of HYDRAMARINE AS.

Grade B NS 470.  
tolerance class "medium".

NS/ISO 2768/1  
Drawing Date: 14.02.05  
Drawing No: BK AF 27.04.05  
Issued for information: 1



REFERENCE DRAWINGS

HYDRAULIC FLOW DIAGRAM	-
ELECTRICAL DIAGRAM	-
TRANSPORT DIMENSIONS	DA32.09A100
CYLINDER 125/70x1302	

HYDRAMARINE

Scale: 1:50 (A3)

NOB DAVIT A32 MK3

GENERAL ARRANGEMENT

DA32.147.GA01

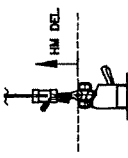
REV. 1

BOAT DIMA

HP 660

MAIN DIMENSIONS:

- OVERALL LENGTH: 6,60 m
- LENGTH HULL: 5,98 m
- BREAKWATER EXTREME: 2,22 m
- BREAKWATER HULL: 0,33 m
- DRAUGHT: 0,33 m



FORCES FOR DAVIT A32

POS. 1: LANDING POSITION

LOADS AT SUPPORT:

1	Fx = 83 kN
2	Fy = -21 kN
3	Fz = 117/56 kN
4	Fx = -40 kN
5	Fy = 50/111 kN
6	Fz = 34,5 kN

FORCES TO SUBSTRUCTURE

AT 20' LIST AND 10' TRIM WITH SWL IN HOOK

(THESE LOADS ONLY OCCUR WHEN BOAT IS CLAMPED TO DAVIT)

LOADS AT SUPPORT:

1	Fx = 107 kN
2	Fy = -90 kN
3	Fz = 140/45 kN
4	Fx = -40 kN
5	Fy = 50/111 kN
6	Fz = 34,5 kN

FORCES FOR DAVIT A32

POS. 2: LANDING POSITION

LOADS AT SUPPORT:

1	Fx = 83 kN
2	Fy = -21 kN
3	Fz = 117/56 kN
4	Fx = -40 kN
5	Fy = 50/111 kN
6	Fz = 34,5 kN

FORCES TO SUBSTRUCTURE

AT 20' LIST AND 10' TRIM WITH SWL IN HOOK

(THESE LOADS ONLY OCCUR WHEN BOAT IS CLAMPED TO DAVIT)

LOADS AT SUPPORT:

1	Fx = 107 kN
2	Fy = -90 kN
3	Fz = 140/45 kN
4	Fx = -40 kN
5	Fy = 50/111 kN
6	Fz = 34,5 kN

