







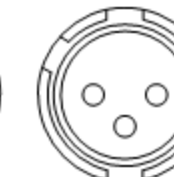
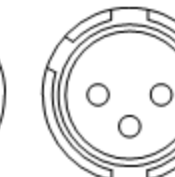
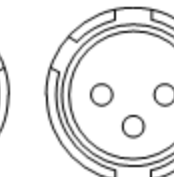
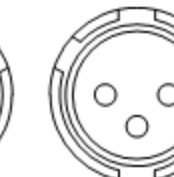
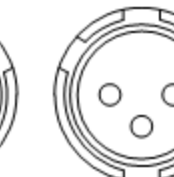
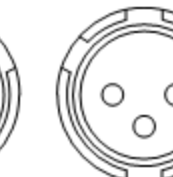
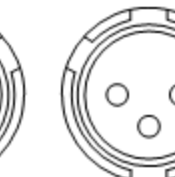
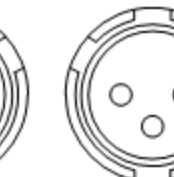




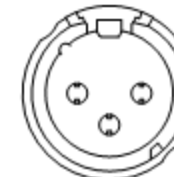
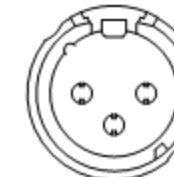
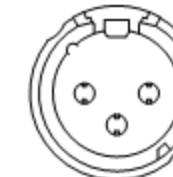

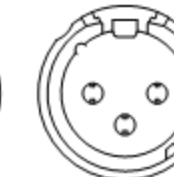
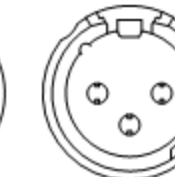
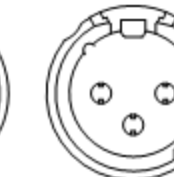
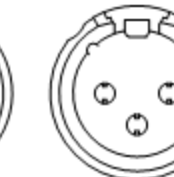
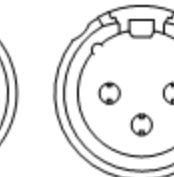
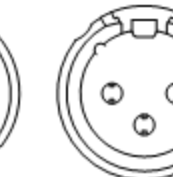
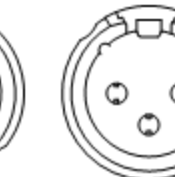
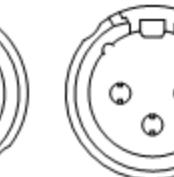

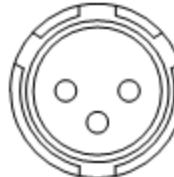
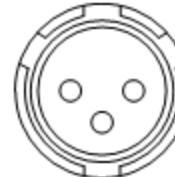
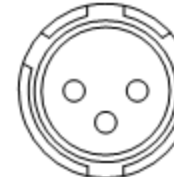












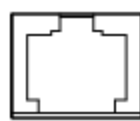
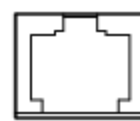
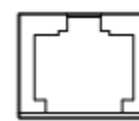
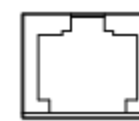
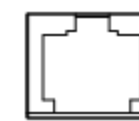
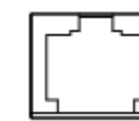
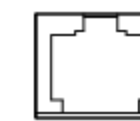
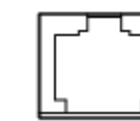
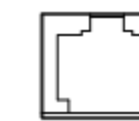
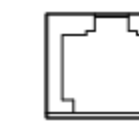
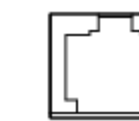
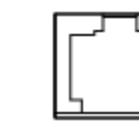
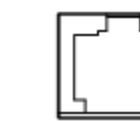
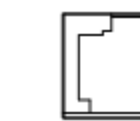
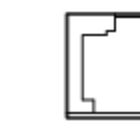
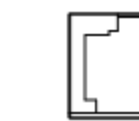















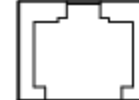


















TIELINE AUDIO VIA JF															
1	2	3	4	5	6	7	8	9	10	11	12	13	14	15	16
															
XLR Male (1)	XLR Male (2)	XLR Male (3)	XLR Male (4)	XLR Male (5)	XLR Male (6)	XLR Male (7)	XLR Male (8)	XLR Male (9)	XLR Male (10)	XLR Male (11)	XLR Male (12)	XLR Male (13)	XLR Male (14)	XLR Male (15)	XLR Male (16)

TIELINE AUDIO VIA JF															
1	2	3	4	5	6	7	8	9	10	11	12	13	14	15	16
															
XLR Female (1)	XLR Female (2)	XLR Female (3)	XLR Female (4)	XLR Female (5)	XLR Female (6)	XLR Female (7)	XLR Female (8)	XLR Female (9)	XLR Female (10)	XLR Female (11)	XLR Female (12)	XLR Female (13)	XLR Female (14)	XLR Female (15)	XLR Female (16)

TIMECODE				SYNC IN			SYNC OUT								
IN	OUT	OUT	OUT	WC	AES	VIDEO	WC	AES	VIDEO						
															
XLR Female (1)	XLR Male (2)	XLR Male (3)	XLR Male (4)	BNC (5)	XLR Female (6)	BNC (7)	BNC (8)	XLR Male (9)	BNC (10)	Blanking Panel (11)	Blanking Panel (12)	Blanking Panel (13)	Blanking Panel (14)	Blanking Panel (15)	Blanking Panel (16)

TIELINES								DANTE		RAVENNA		NRK NET		BRANNMUR	
1	2	3	4	5	6	7	8	1	2	1	2	1	2	IN	
															
RJ45 (1)	RJ45 (2)	RJ45 (3)	RJ45 (4)	RJ45 (5)	RJ45 (6)	RJ45 (7)	RJ45 (8)	RJ45 (9)	RJ45 (10)	RJ45 (11)	RJ45 (12)	RJ45 (13)	RJ45 (14)	RJ45 (15)	RJ45 (16)

VIDEO ROUTER IN				VIDEO ROUTER OUT				CONVERTER		TIELINE				VIPRINET	
1	2	3	4	1	2	3	4	1	2	1	2	3	4	IN	UT
															
BNC (1)	BNC (2)	BNC (3)	BNC (4)	BNC (5)	BNC (6)	BNC (7)	BNC (8)	BNC (9)	BNC (10)	BNC (11)	BNC (12)	BNC (13)	BNC (14)	RJ45 (15)	RJ45 (16)

MICROPHONE INPUT LOCAL VIA JF								TIELINE FIBER							
1	2	3	4	5	6	7	8	1	2	3	4	5	6	7	8
															
XLR Female (1)	XLR Female (2)	XLR Female (3)	XLR Female (4)	XLR Female (5)	XLR Female (6)	XLR Female (7)	XLR Female (8)	Fiber LC (9)	Fiber LC (10)	Fiber LC (11)	Fiber LC (12)	Fiber LC (13)	Fiber LC (14)	Fiber LC (15)	Fiber LC (16)