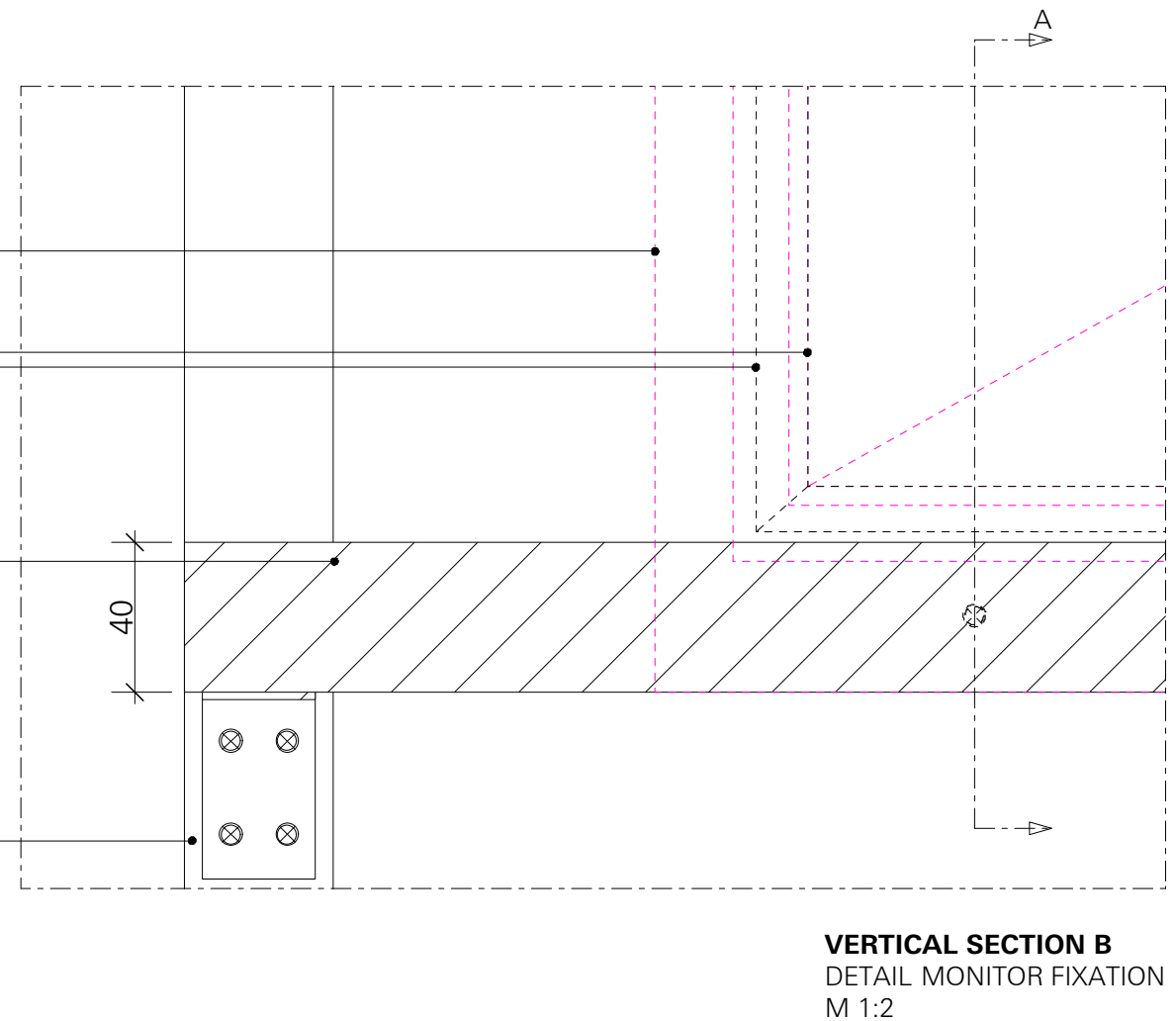
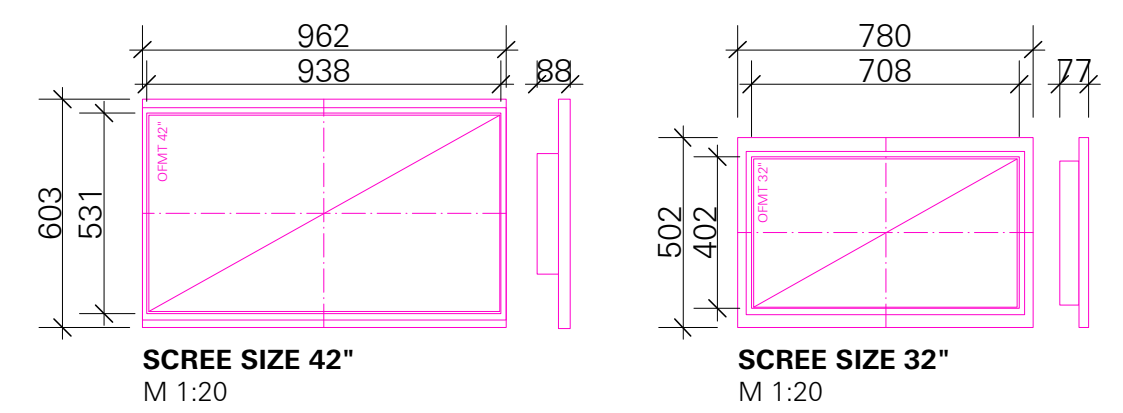
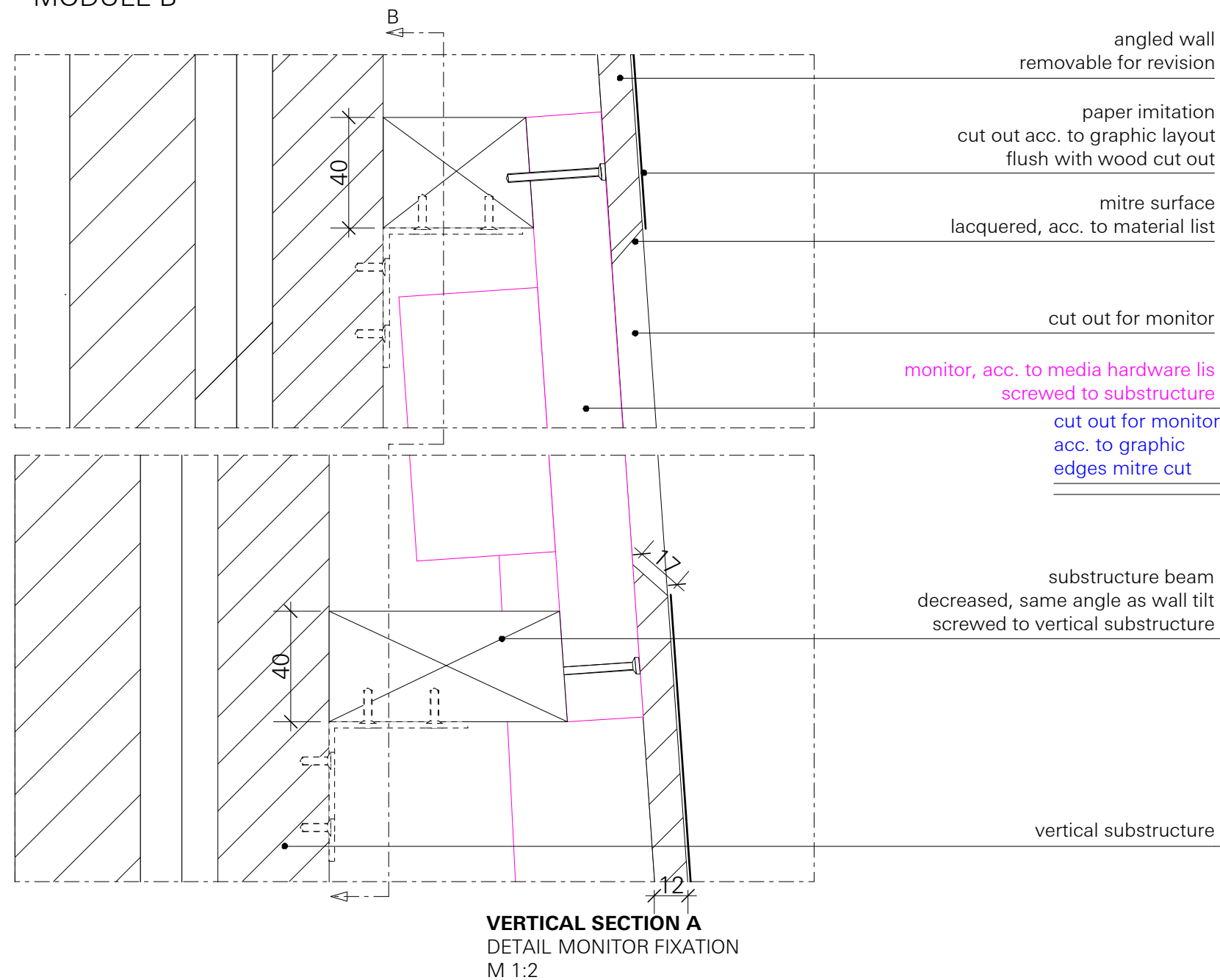


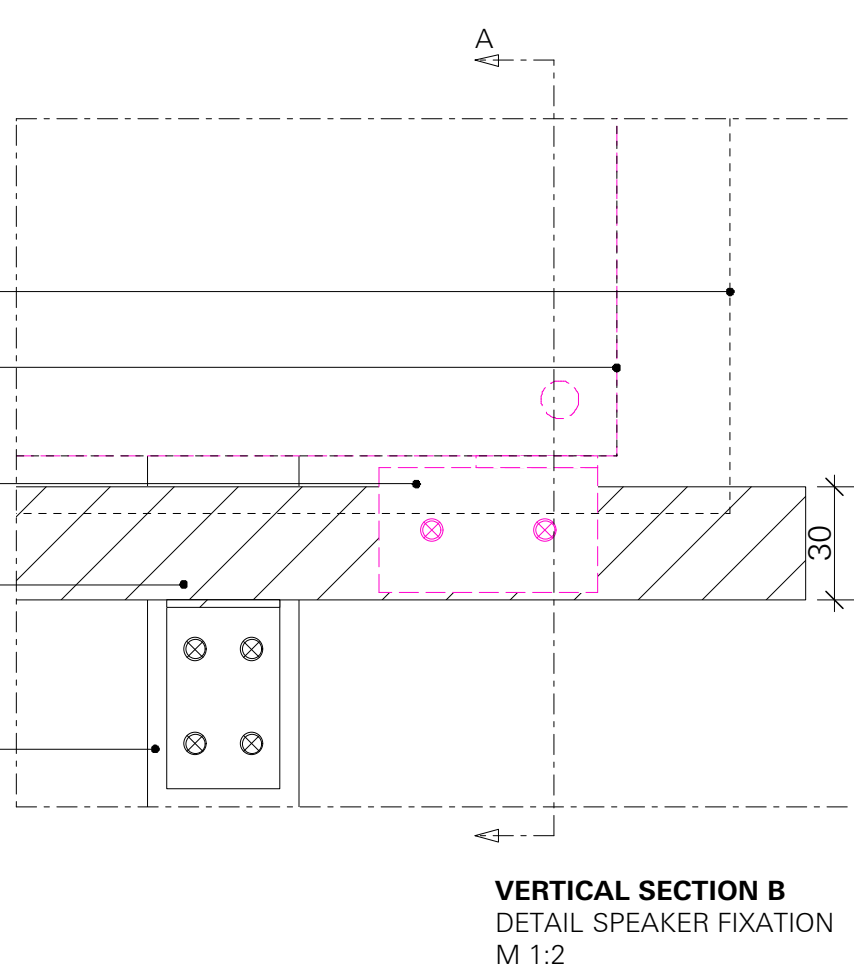
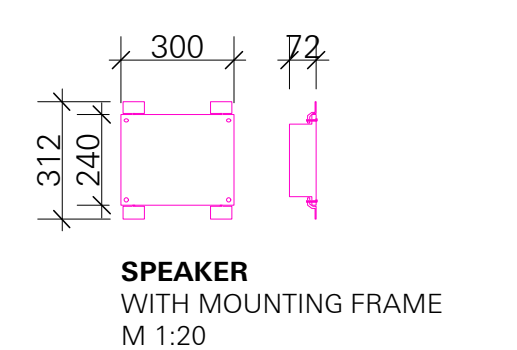
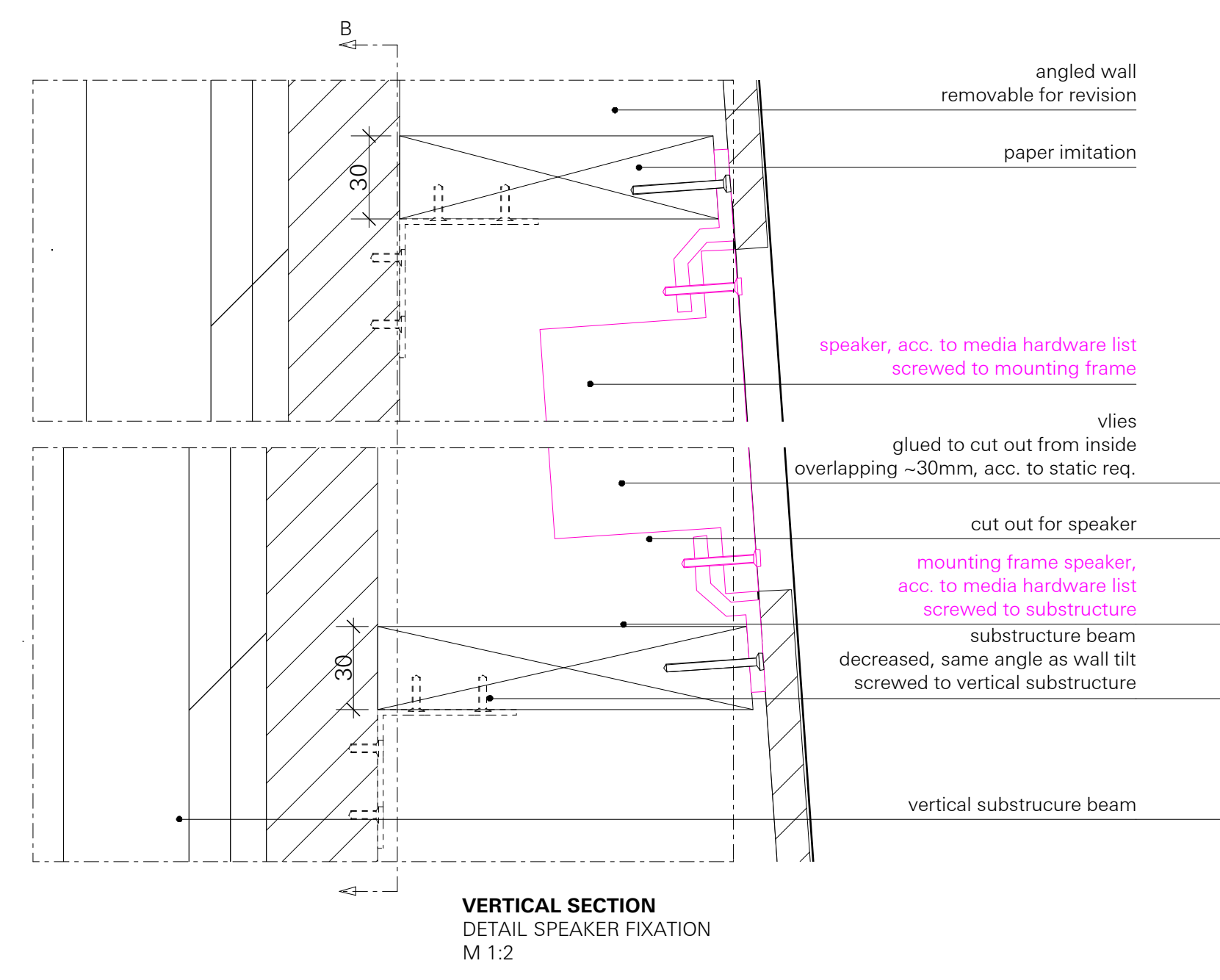
POS. 4.3
MONITOR FIXATION
MODULE B



VERTICAL SECTION A
DETAIL MONITOR FIXATION
M 1:2

VERTICAL SECTION B
DETAIL MONITOR FIXATION
M 1:2

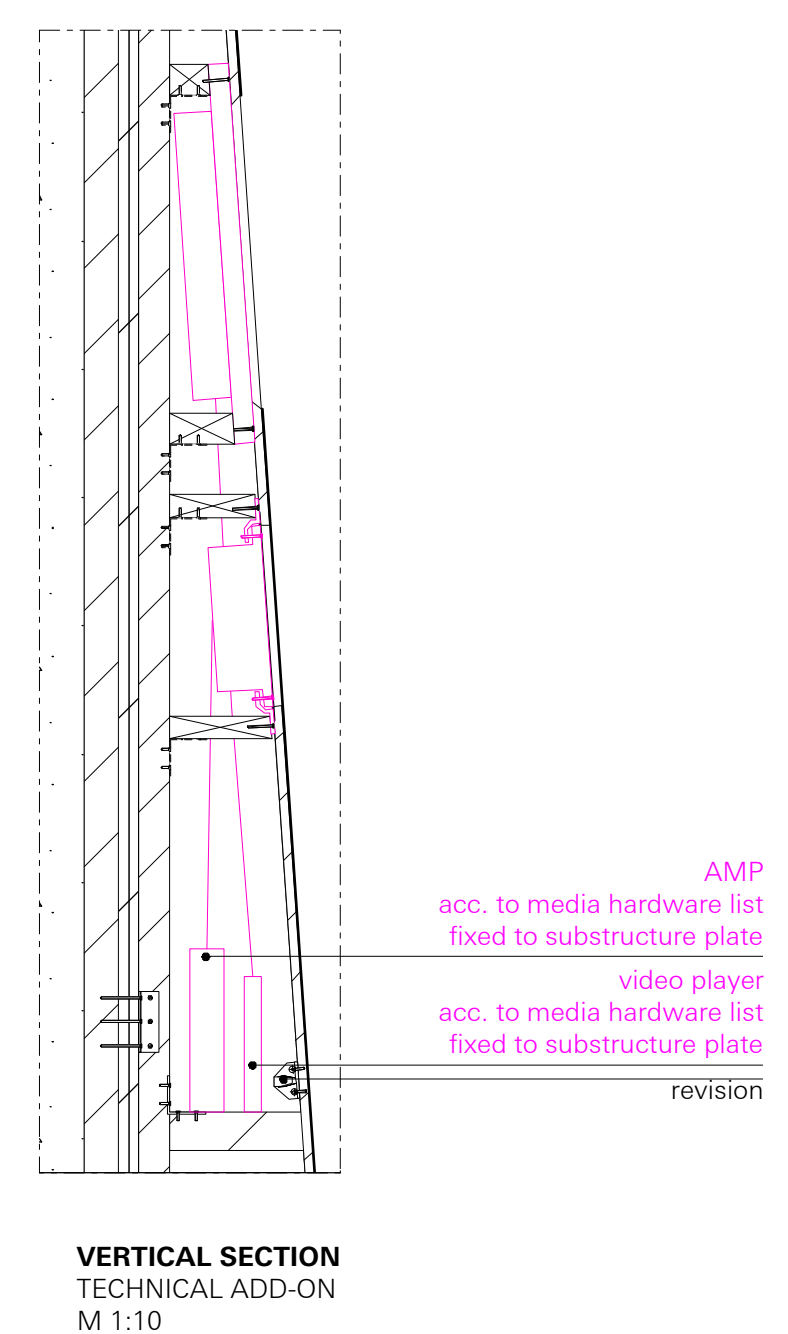
SPEAKER FIXATION
MODULE B



VERTICAL SECTION
DETAIL SPEAKER FIXATION
M 1:2

VERTICAL SECTION B
DETAIL SPEAKER FIXATION
M 1:2

TECHNICAL ADD-ON
MODULE B



VERTICAL SECTION
TECHNICAL ADD-ON
M 1:10

LEGEND

SPECIALISTS

M	MEDIEN
G	GRAPHIC
L	LIGHT
TGA	BUILDING TECHNOLOGY
ATB	EXHIBITION ATB

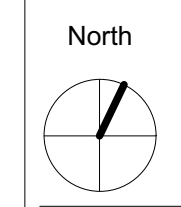
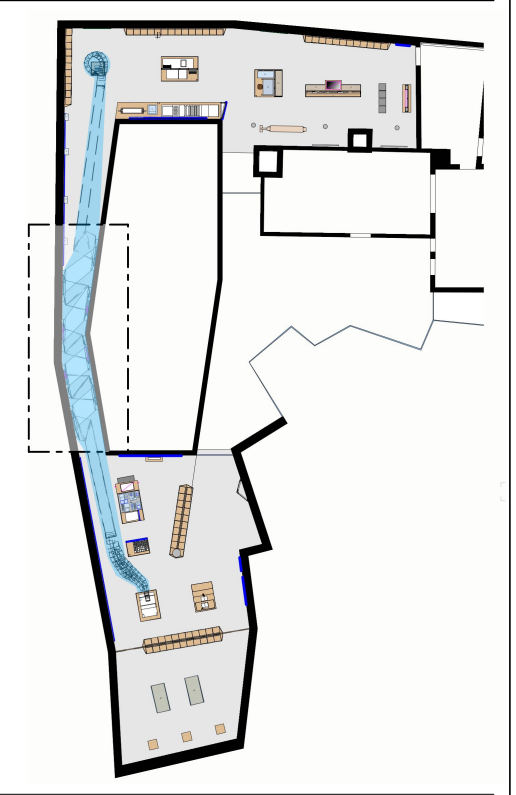
RELEASED

All measurements have to be revised carefully by the contractor/executor and compared with on-site situations. Differences concerning measurements or planning / stock have to be conveyed immediately to the designer. Details and drawings are only valid with annotation of approval by the designer.



NORWEGIAN PRINTING MUSEUM
STAVANGER

KEY PLAN



MEDIA CORRIDOR
MODULE B - MONITOR / SPEAKER DETAIL

client Museum Stavanger
Øvre Strandgate 88
4005 Stavanger I Norwegian
T. +47 40 60 17 01
www.museumstavanger.no
bitten.bakke@museumstavanger.no

planner exhibition scenography ATELIER BRÜCKNER GMBH
Krefelder Strasse 32
70376 Stuttgart I Germany
T. +49 711 5000 77 116
F. +49 711 5000 77 22
ngm@atelier-brueckner.com

papersize	scale	unit	sign
DIN A2	1:2, 1:10, 1:20	mm	sm

filename
NGM-ATB_D_1.4.2.0_04

date	code	planningphase
13.09.2019	NGM-ATB	LPH 4 - DD

type	hierarchy	no.	index
D	1.4.2.0	04	00