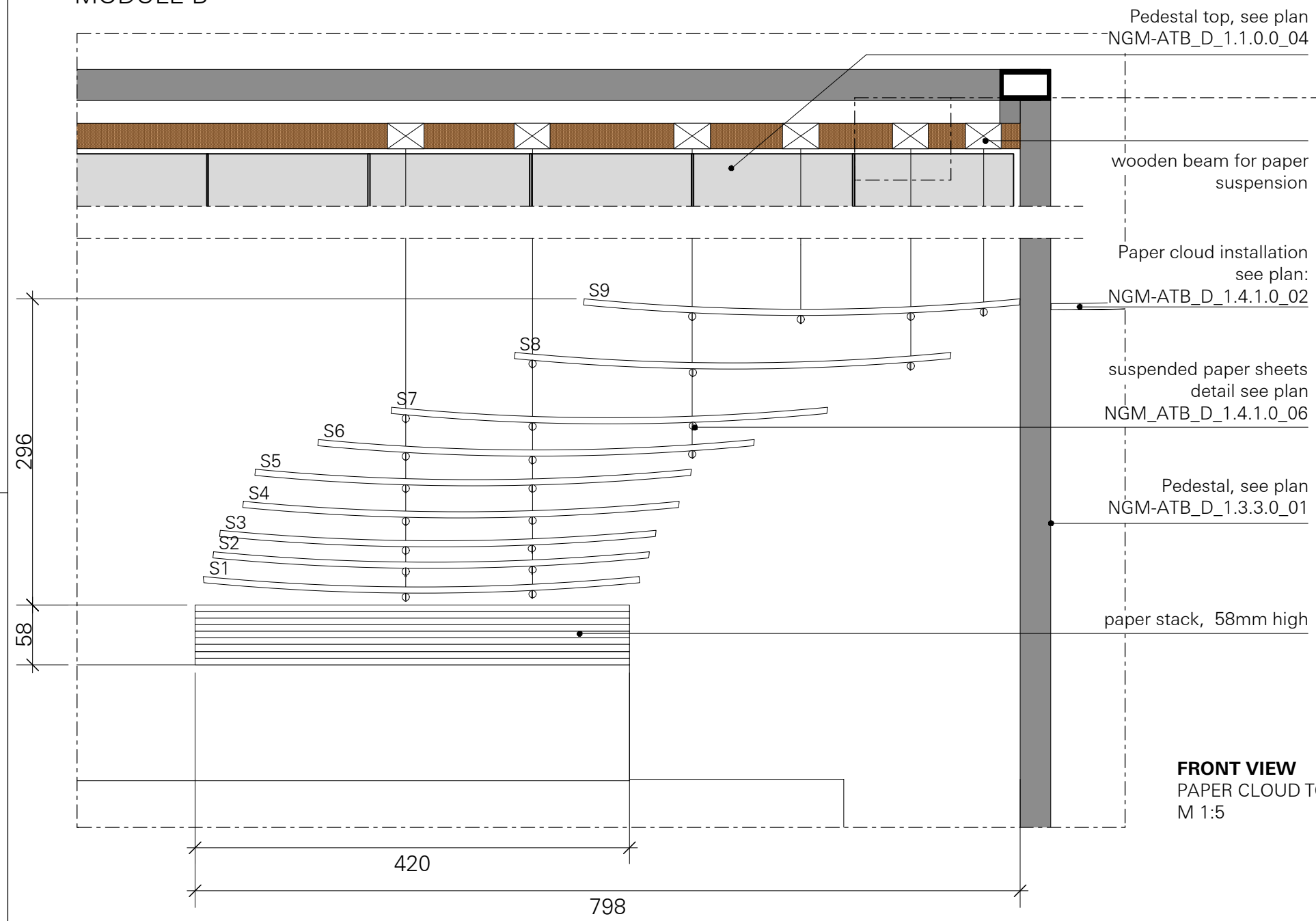
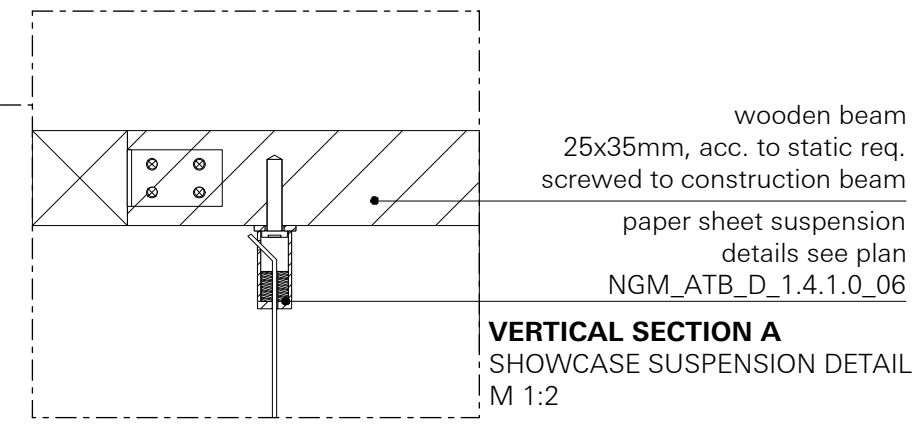


**POS. 4.1**  
**PAPER CLOUD INSTALLATION - CONNESTION TO EXHIBIT**  
**MODULE B**

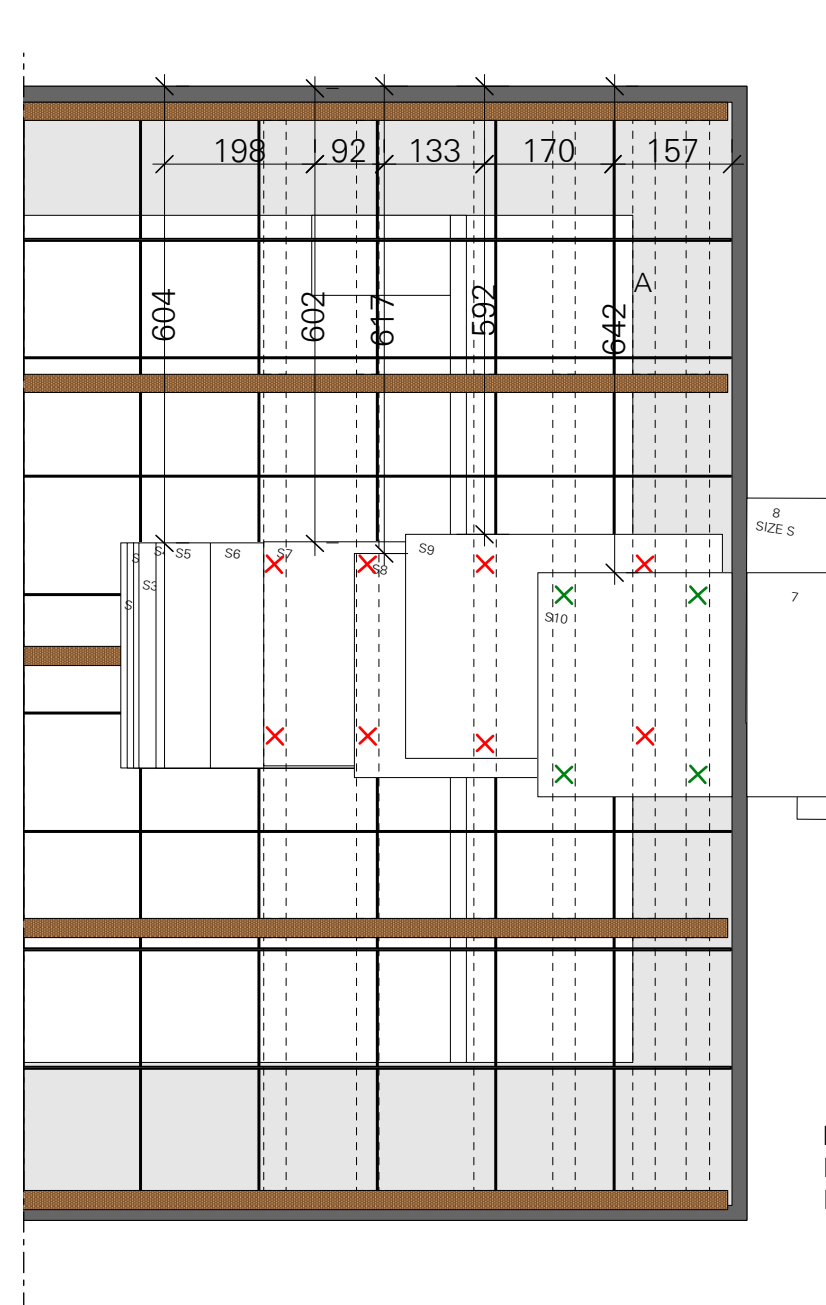


**FRONT VIEW**  
 PAPER CLOUD TO MEDIA CORRIDOR  
 M 1:5

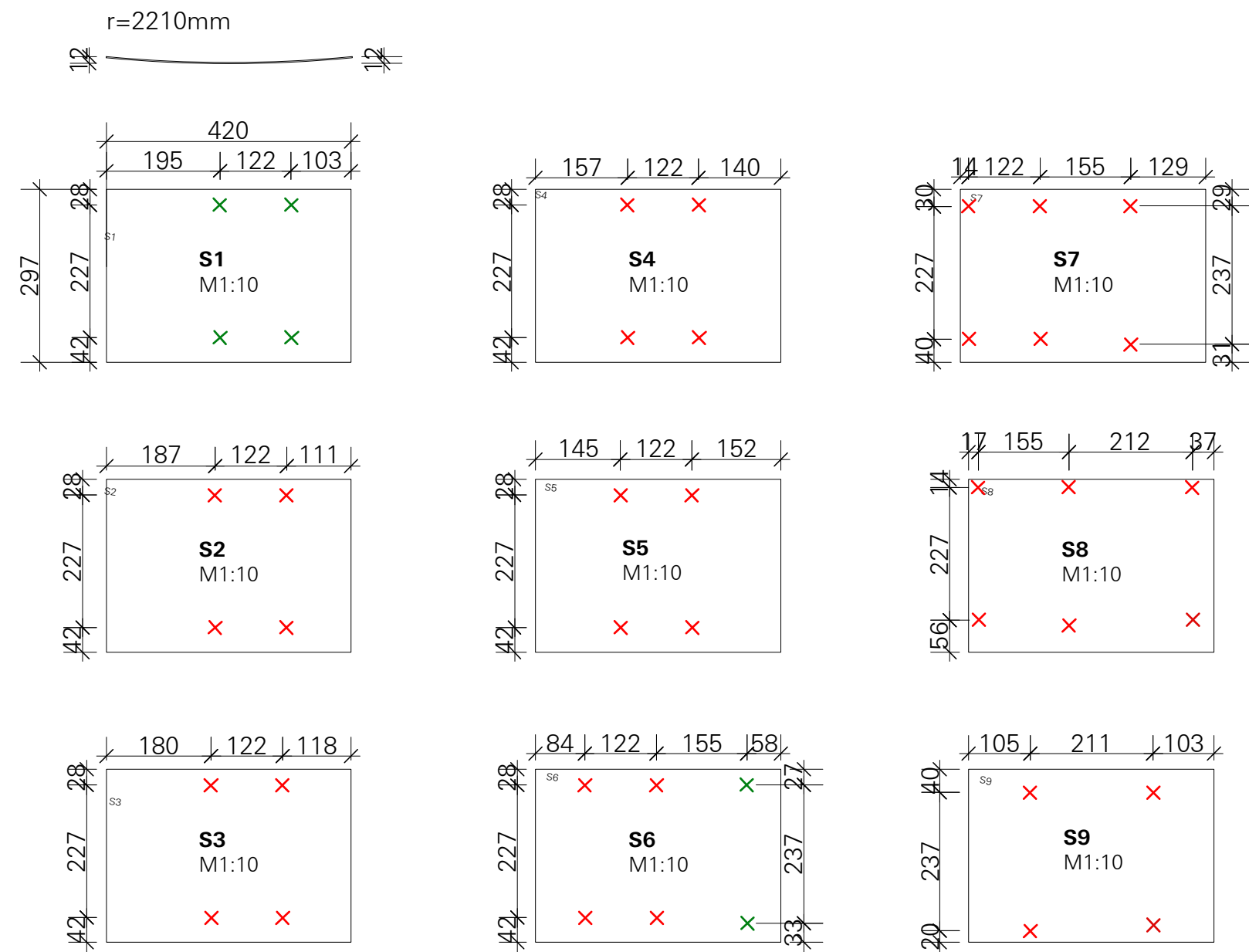


sheet number	height lower edge (from upper edge finished floor)	height upper edge (from upper edge finished floor)
S1	1550mm	1562mm
S2	1570mm	1592mm
S3	1590mm	1612mm
S4	1620mm	1642mm
S5	1650mm	1672mm
S6	1680mm	1702mm
S7	1710mm	1732mm
S8	1760mm	1782mm
S9	1815mm	1837mm
S10	1875mm	1897mm

**SUSPENSION HEIGH**  
 SHOWCASE SHEETS



**FLOOR PLAN**  
 PAPER CLOUD TO MEDIA CORRIDOR  
 M 1:10



**SHEET SIZES**  
 INSIDE SHOWCASE  
 MODULE B

**LEGEND**

**SPECIALISTS**

M	MEDIEN
G	GRAPHIC
L	LIGHT
TGA	BUILDING TECHNOLOGY
	EXHIBITION ATB

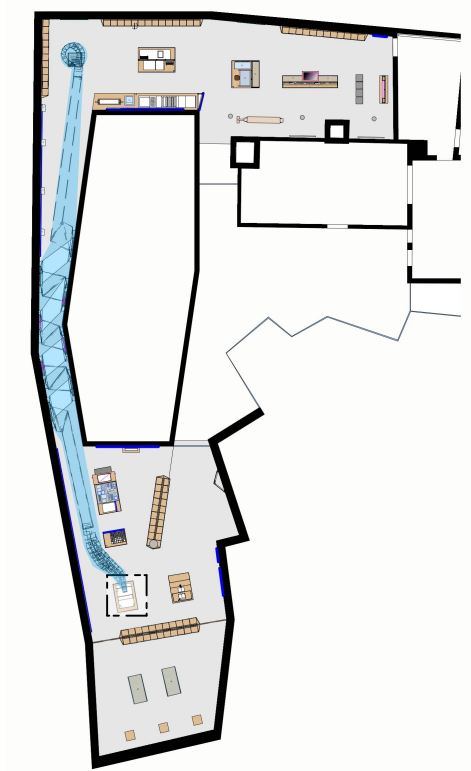
**RELEASED**

All measurements have to be revised carefully by the contractor/executor and compared with on-site situations. Differences concerning measurements or planning / stock have to be conveyed immediately to the designer. Details and drawings are only valid with annotation of approval by the designer.



**NORWEGIAN PRINTING MUSEUM**  
 STAVANGER

**KEY PLAN**



**PAPER CLOUD INSTALLATION**  
 MODULE B - CONNECTION TO EXHIBIT

**client** **Museum Stavanger**  
 Øvre Strandgate 88  
 4005 Stavanger I Norwegian  
 T. +47 40 60 17 01  
 www.museumstavanger.no  
 bitten.bakke@museumstavanger.no

**planner exhibition scenography** **ATELIER BRÜCKNER GMBH**  
 Krefelder Strasse 32  
 70376 Stuttgart I Germany  
 T. +49 711 5000 77 116  
 F. +49 711 5000 77 22  
 ngm@atelier-brueckner.com

papersize **DIN A2** scale **1:2, 1:5, 1:10** unit **mm** sign **sm**

filename **NGM-ATB\_D\_1.4.1.0\_01**

date **13.09.2019** code **NGM-ATB** planningphase **LPH 4 - DD**

type **D** hierarchy **1.4.1.0** no. **01** index **00**