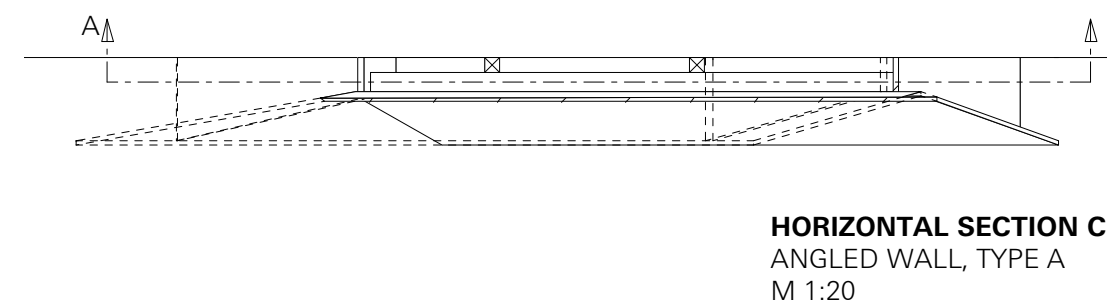
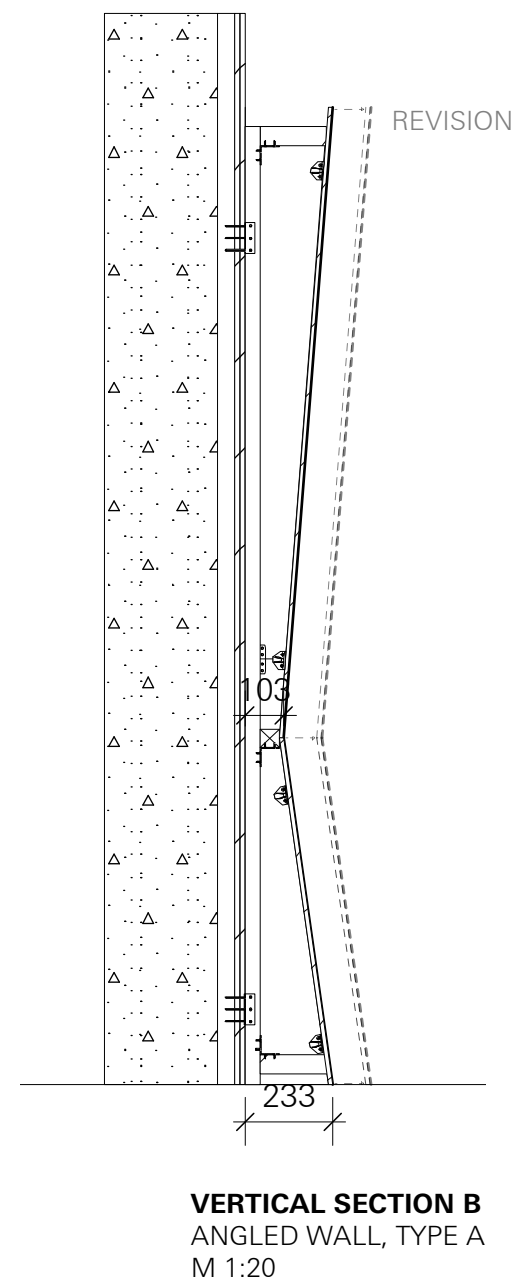
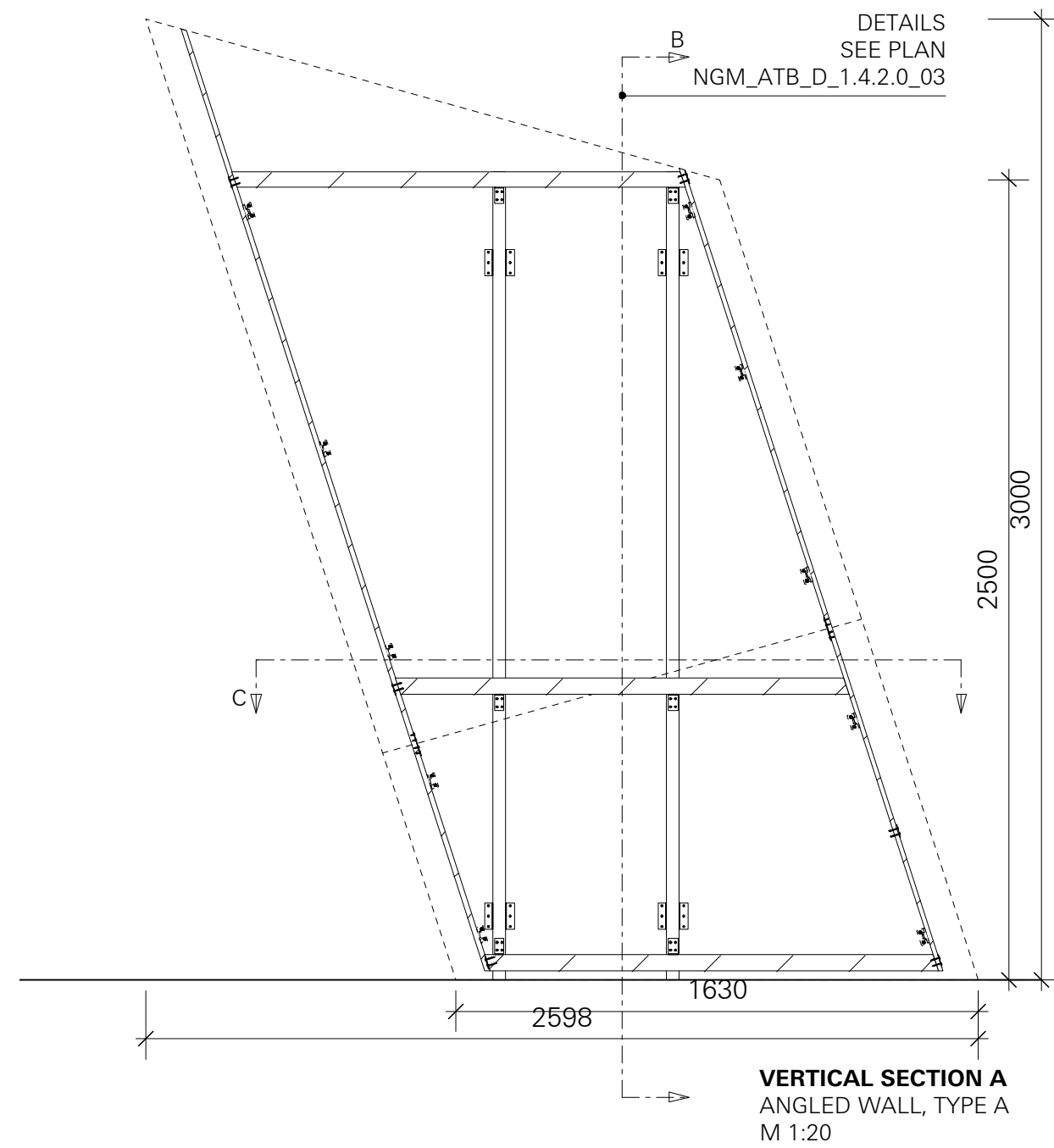
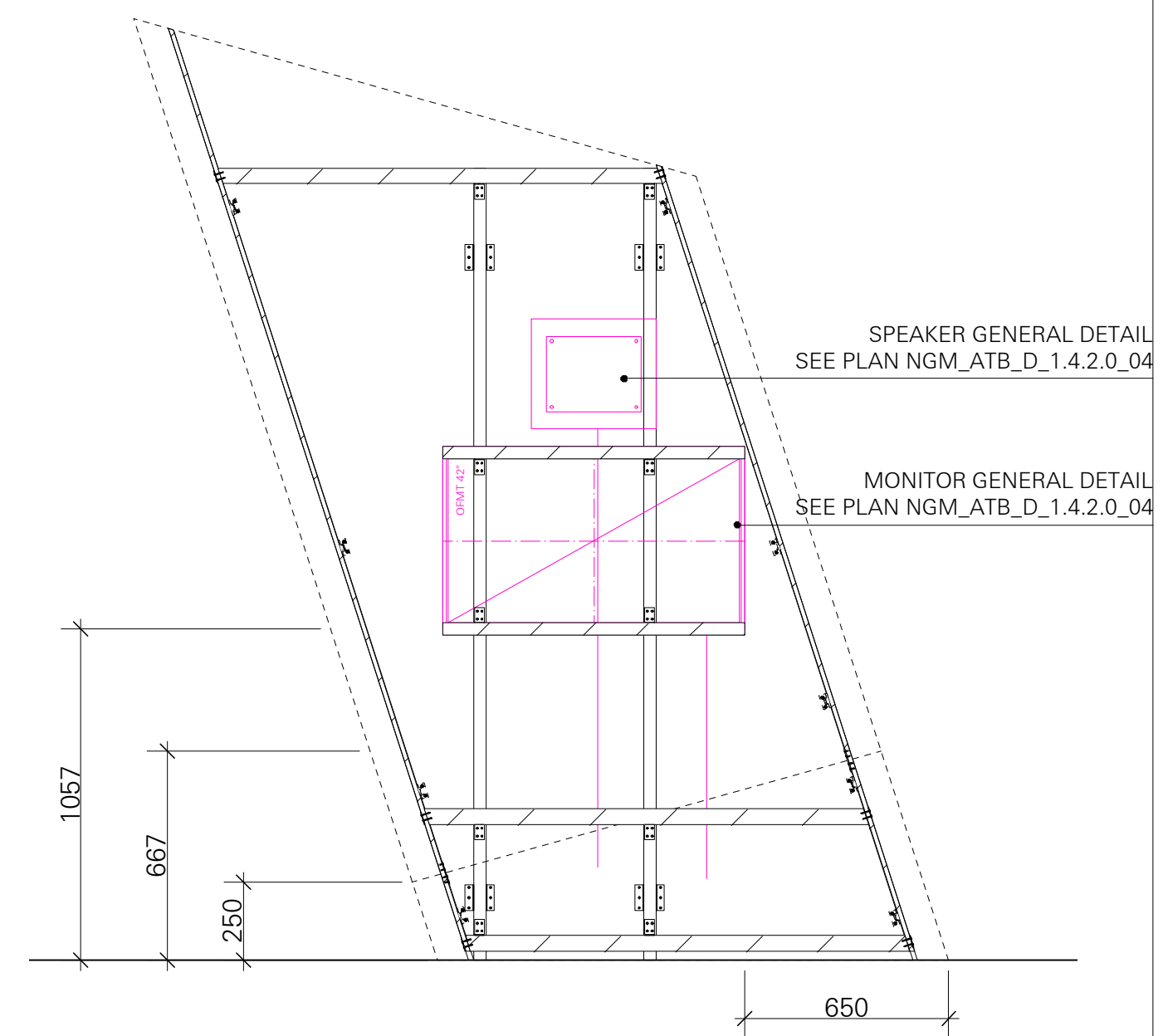


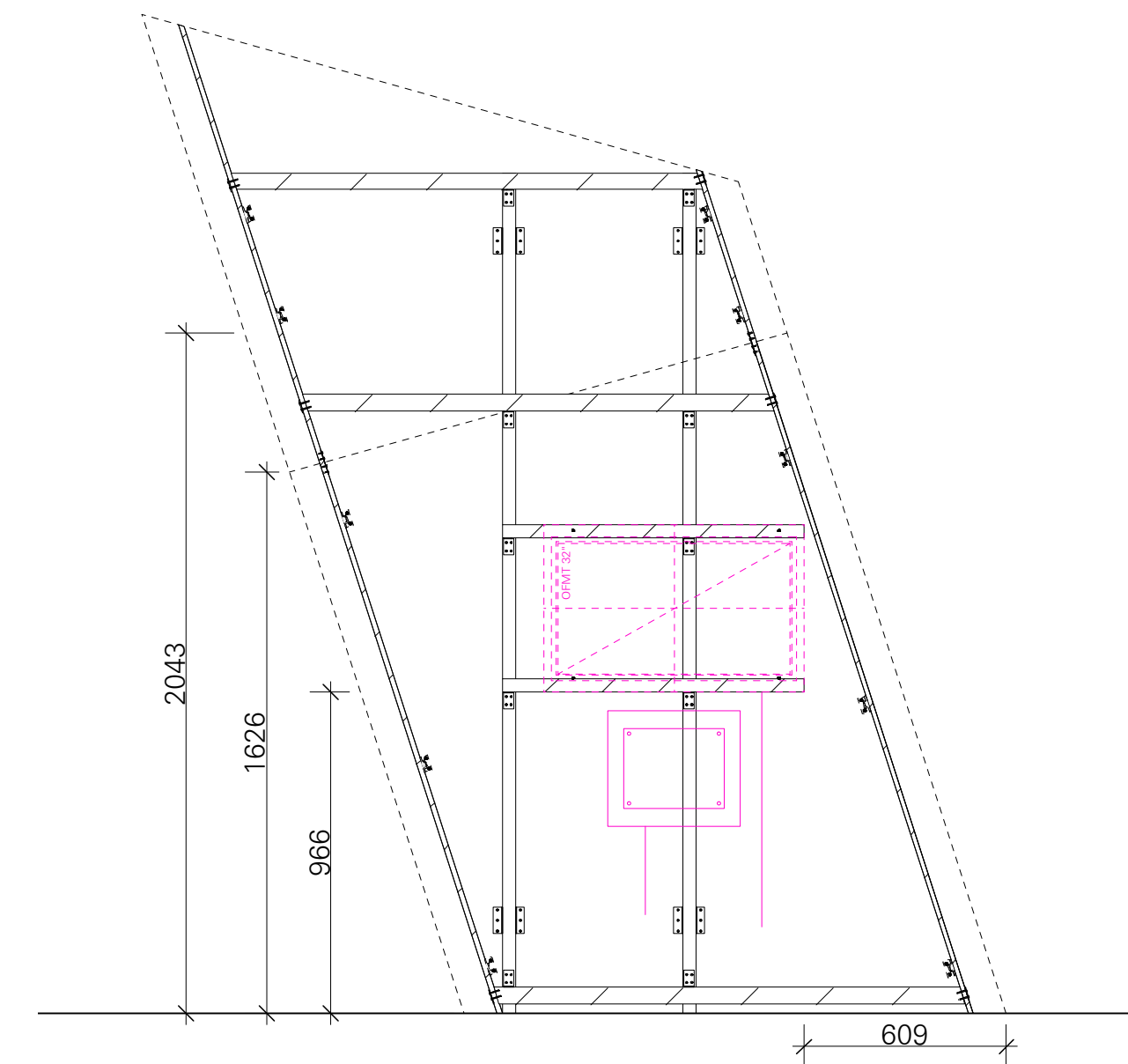
POS. 4.3
ANGLED WALL, TYPE A
 MODULE B



POS. 4.3
ANGLED WALL, TYPE B
 MODULE B



POS. 4.3
ANGLED WALL, TYPE C
 MODULE B



LEGEND

SPECIALISTS

M	MEDIEN
G	GRAPHIC
L	LIGHT
TGA	BUILDING TECHNOLOGY
	EXHIBITION ATB

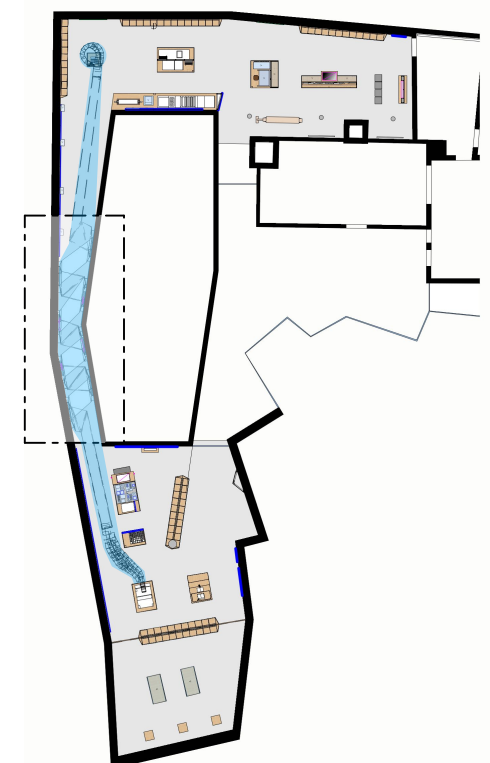
RELEASED

All measurements have to be revised carefully by the contractor/executor and compared with on-site situations. Differences concerning measurements or planning / stock have to be conveyed immediately to the designer. Details and drawings are only valid with annotation of approval by the designer.



NORWEGIAN PRINTING MUSEUM
 STAVANGER

KEY PLAN



MEDIA CORRIDOR WALL
 MODULE B - ANGLED WALL TYPES

client **Museum Stavanger**
 Øvre Strandgate 88
 4005 Stavanger I Norwegian
 T. +47 40 60 17 01
 www.museumstavanger.no
 bitten.bakke@museumstavanger.no

planner exhibition scenography **ATELIER BRÜCKNER GMBH**
 Krefelder Strasse 32
 70376 Stuttgart I Germany
 T. +49 711 5000 77 116
 F. +49 711 5000 77 22
 ngm@atelier-brueckner.com

papersize	scale	unit	sign
DIN A2	1:20	mm	sm

filename
NGM-ATB_D_1.4.2.0_02

date	code	planningphase
13.09.2019	NGM-ATB	LPH 4 - DD

type	hierarchy	no.	index
D	1.4.2.0	02	00