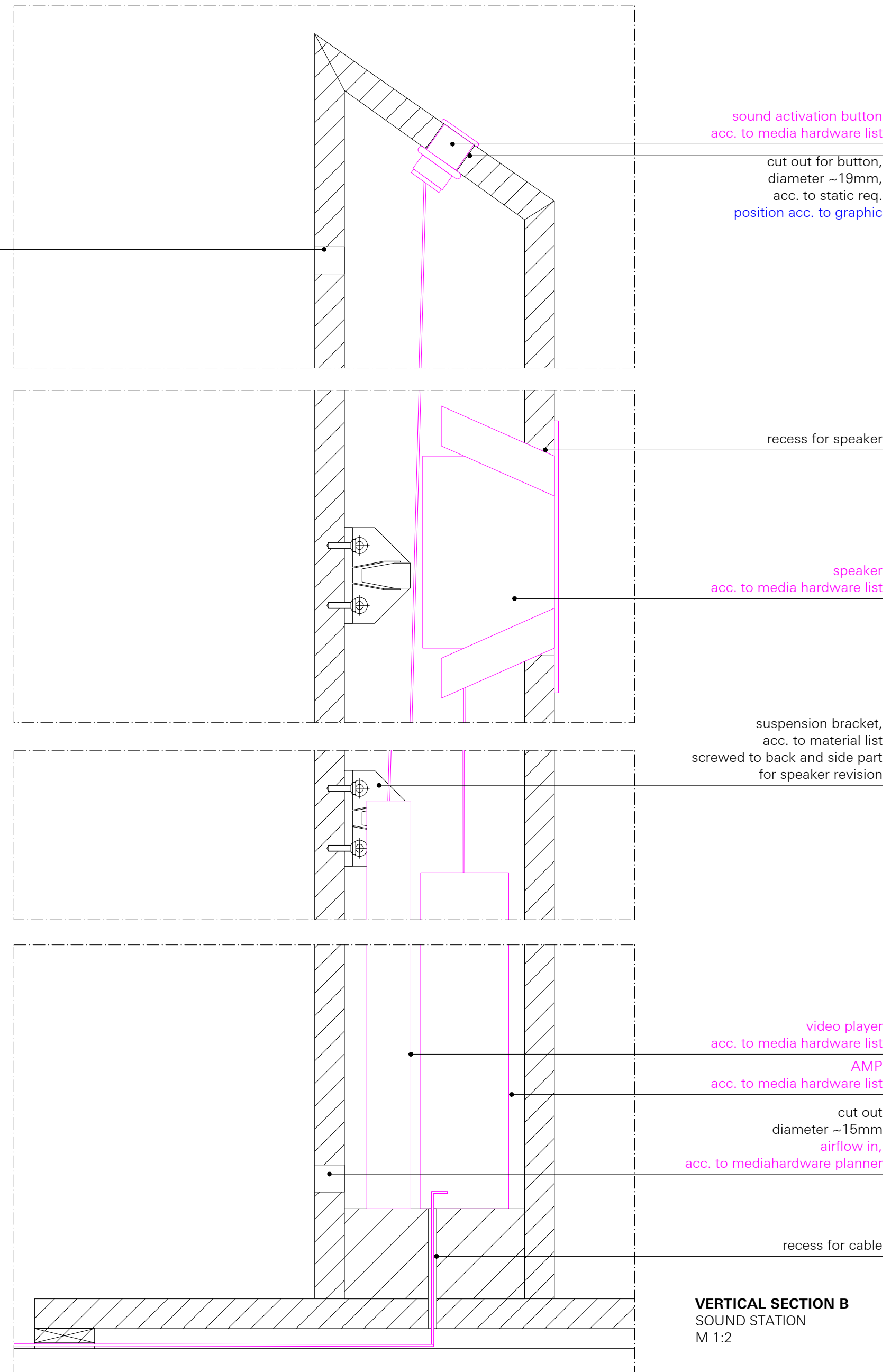
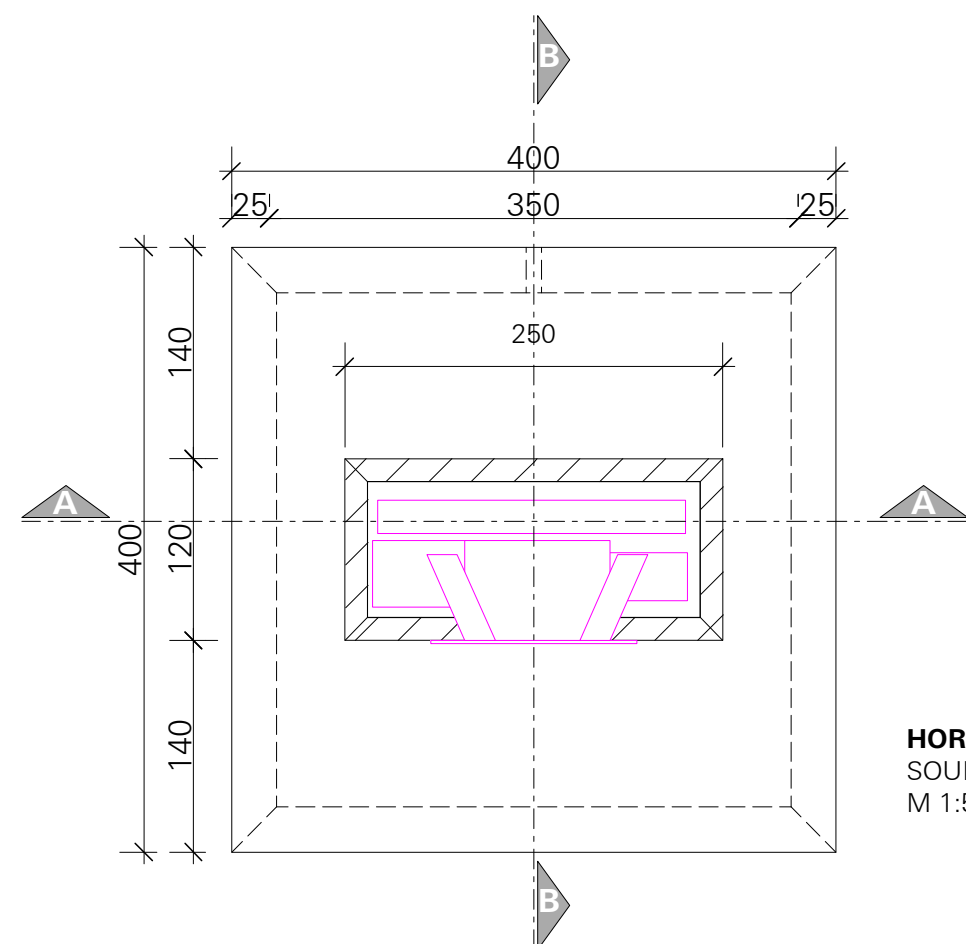
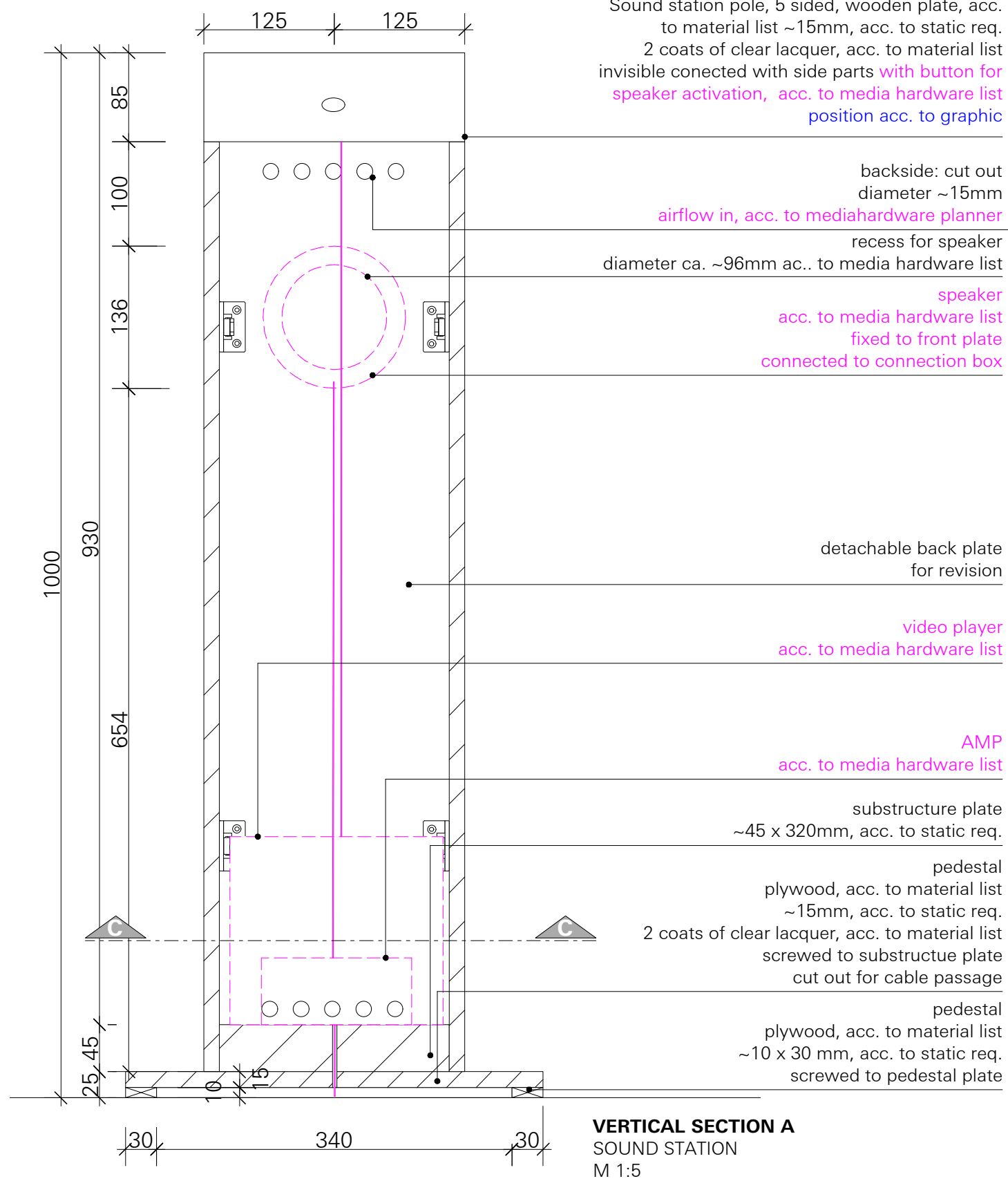


POS. 5.4
SOUND STATION
MODULE F



LEGEND

SPECIALISTS

M	MEDIEN
G	GRAPHIC
L	LIGHT
TGA	BUILDING TECHNOLOGY
	EXHIBITION ATB

X = power markings

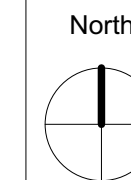
RELEASED

All measurements have to be revised carefully by the contractor/executor and compared with on-site situations. Differences concerning measurements or planning / stock have to be conveyed immediately to the designer. Details and drawings are only valid with annotation of approval by the designer.



NORWEGIAN PRINTING MUSEUM
STAVANGER

KEY PLAN



DETAIL PLAN - SOUNDSTATION
SECOND FLOOR

client **Museum Stavanger**
Øvre Strandgate 88
4005 Stavanger I Norwegian
T. +47 40 60 17 01
www.museumstavanger.no
bitten.bakke@museumstavanger.no

planner exhibition scenography **ATELIER BRÜCKNER GMBH**
Krefelder Strasse 32
70376 Stuttgart I Germany
T. +49 711 5000 77 116
F. +49 711 5000 77 22
ngm@atelier-brueckner.com

papersize	scale	unit	sign
DIN A2	1:2	mm	sm

filename
NGM-ATB_D_2.1.3.0_01

date	code	planningphase
13.09.2019	NGM-ATB	LPH 4 - DD

type	hierarchy	no.	index
D	2.1.3.0	01	00