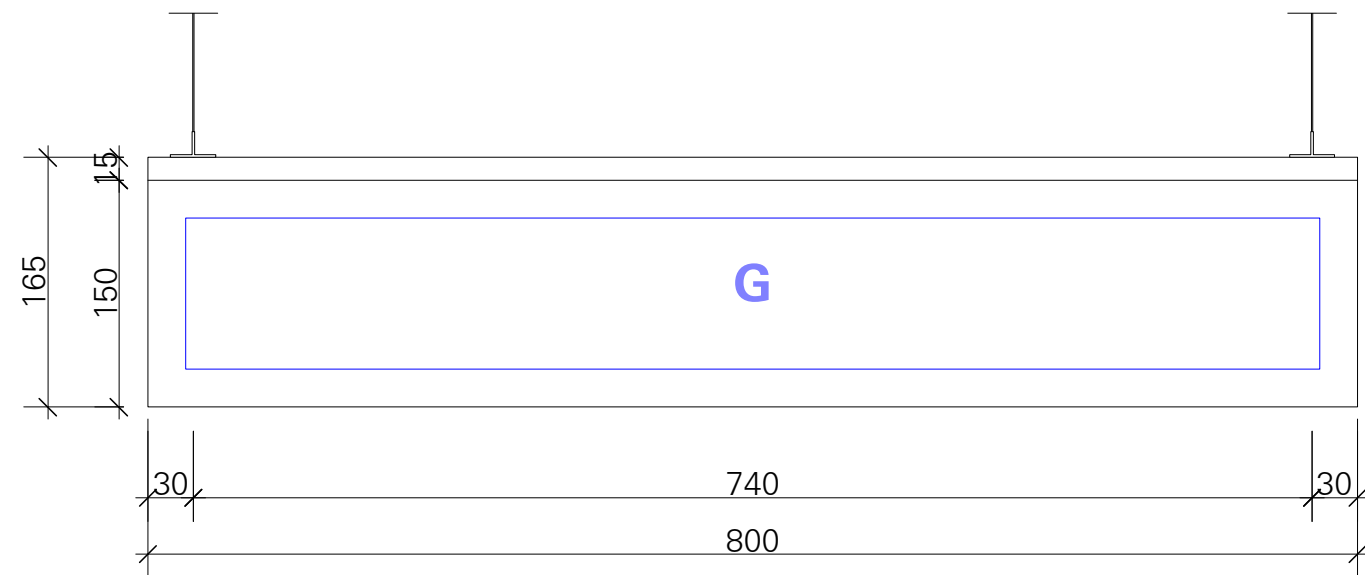
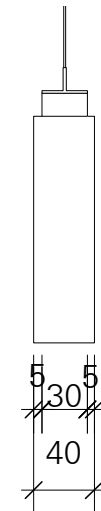


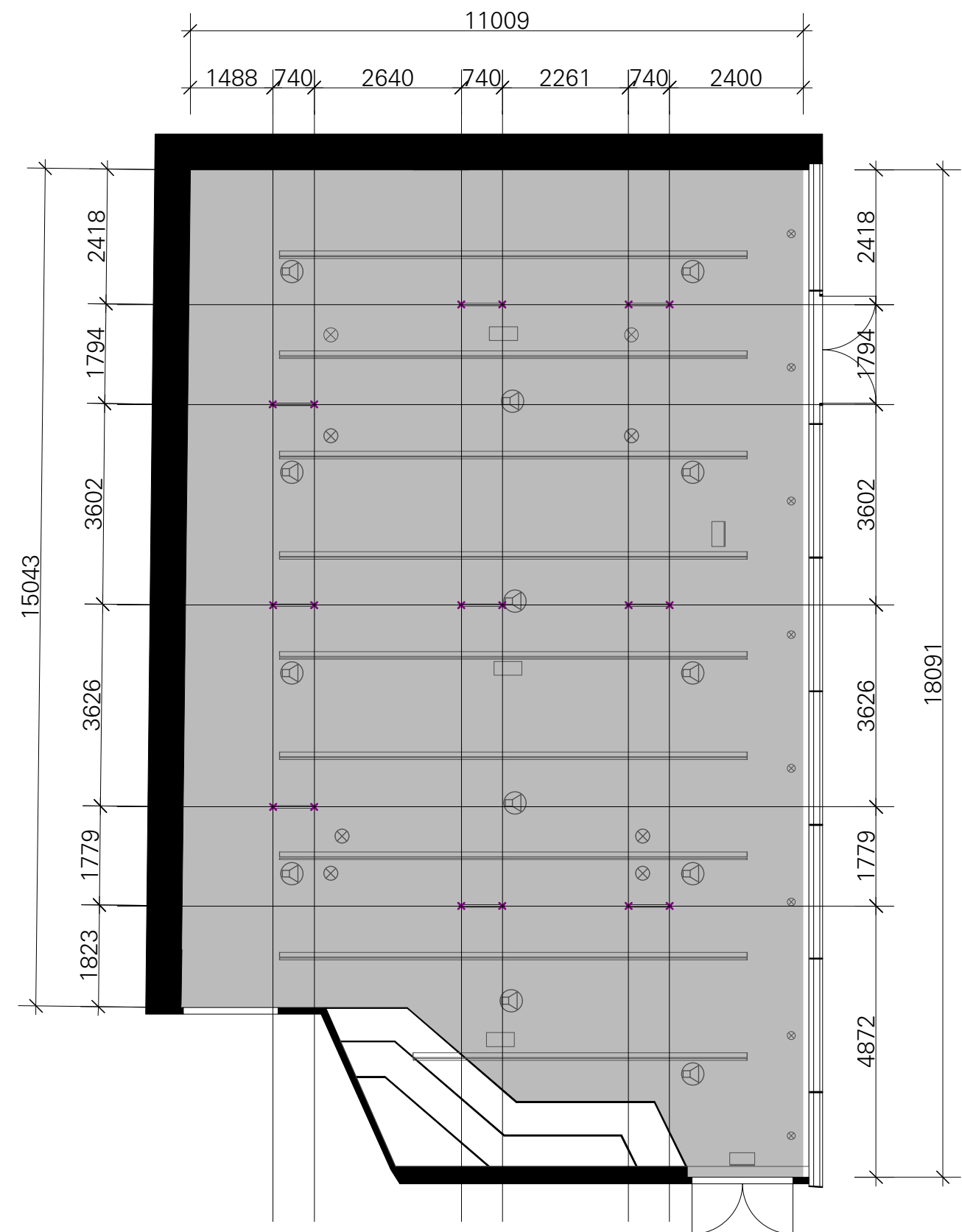
POS. 5.5
SUSPENDED TITLE SIGN
 MODULE F



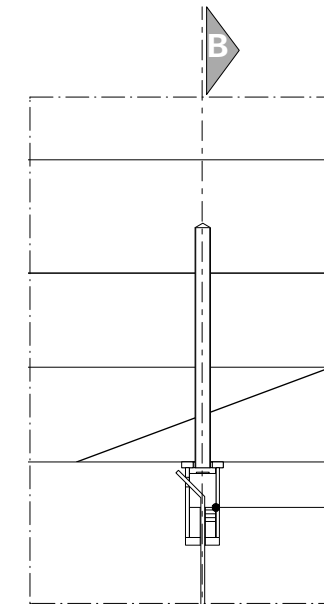
FRONT VIEW
 SUSPENDED TITLE
 M 1:5



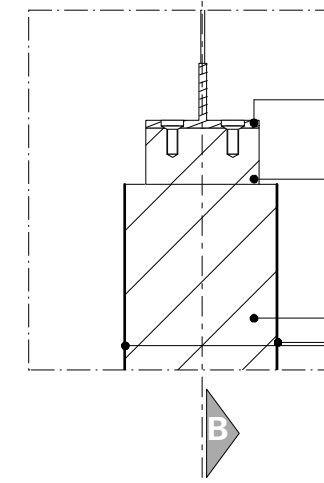
SIDE VIEW
 SUSPENDED TITLE
 M 1:5



TOP VIEW
 SUSPENSION POINTS
 M 1:100



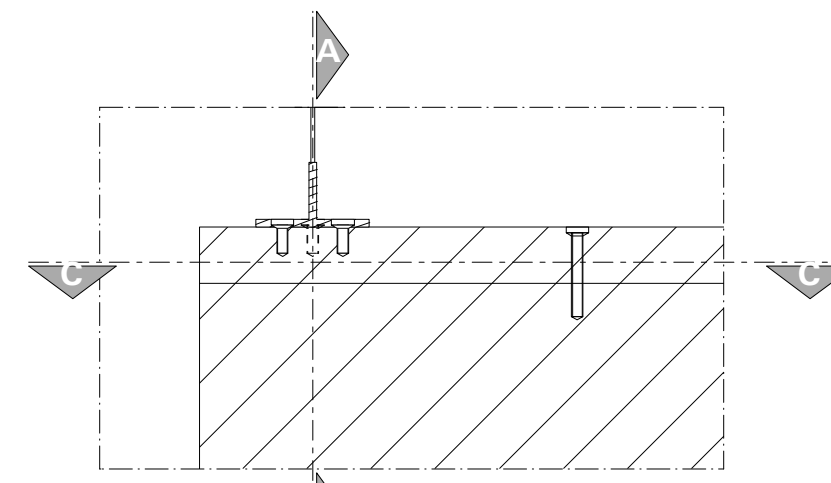
CEILING FIXATION DETAIL
 SEE PLAN 1.4.1.0_06



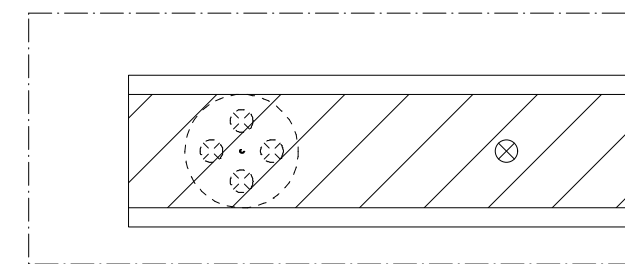
mounting plate, acc. to static req.
 screwed to wooden profile
 MDF, acc. to material list
 ~ 15x30x800mm, acc. to static req.
 MDF, acc. to material list
 printed on both sides
 150x40x800mm, acc. to static
 req. screwed to MDF bar

graphic
 direct print on MDF
 acc. to graphic

VERTICAL SECTION A
 M 1:2



VERTICAL SECTION B
 M 1:2



HORIZONTAL SECTION C
 M 1:2

LEGEND

SPECIALISTS

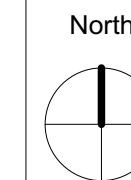
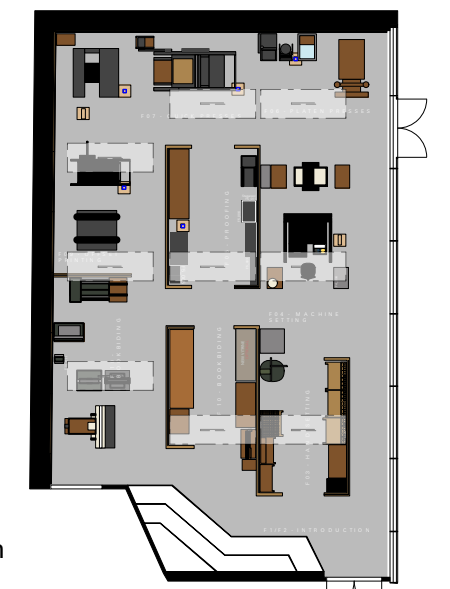
- M MEDIEN
 - G GRAPHIC
 - L LIGHT
 - TGA BUILDING TECHNOLOGY
 - EXHIBITION ATB
- X = power markings**

RELEASED

All measurements have to be revised carefully by the contractor/executor and compared with on-site situations. Differences concerning measurements or planning / stock have to be conveyed immediately to the designer. Details and drawings are only valid with annotation of approval by the designer.

NORWEGIAN PRINTING MUSEUM
 STAVANGER

KEY PLAN



DETAIL PLAN - SUSPENDED AREA TITLES
 SECOND FLOOR

client **Museum Stavanger**
 Øvre Strandgate 88
 4005 Stavanger I Norwegian
 T. +47 40 60 17 01
 www.museumstavanger.no
 bitten.bakke@museumstavanger.no

planner exhibition scenography **ATELIER BRÜCKNER GMBH**
 Krefelder Strasse 32
 70376 Stuttgart I Germany
 T. +49 711 5000 77 116
 F. +49 711 5000 77 22
 ngm@atelier-brueckner.com

papersize	scale	unit	sign
DIN A2	1:2, 1:5, 1:100	mm	sm

filename
NGM-ATB_D_2.1.4.0_01

date	code	planningphase
13.09.2019	NGM-ATB	LPH 4 - DD

type	hierarchy	no.	index
D	2.1.4.0	01	00