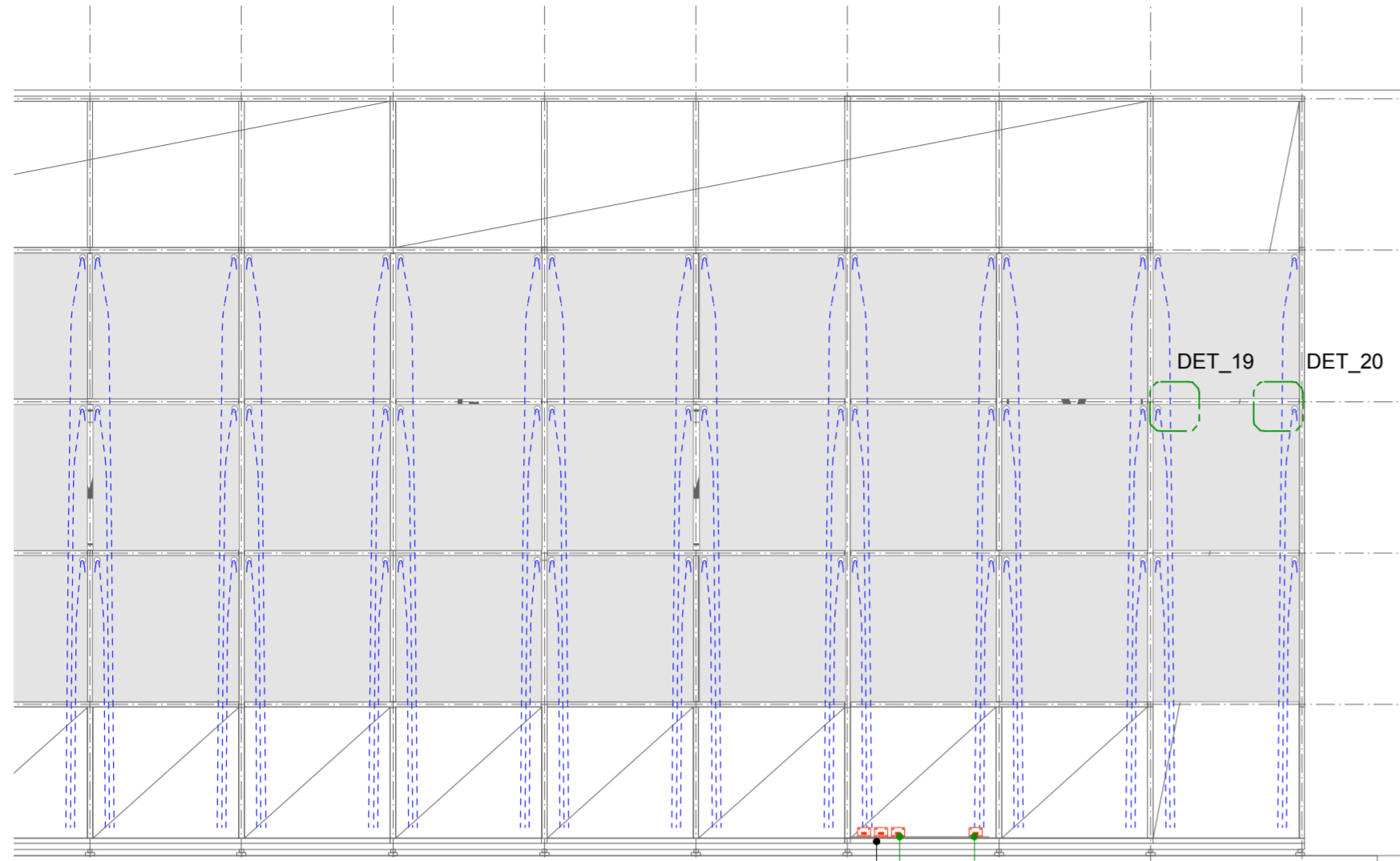


ELEVATION_DET15
Lettercase Shelf / Cabling system
1:20

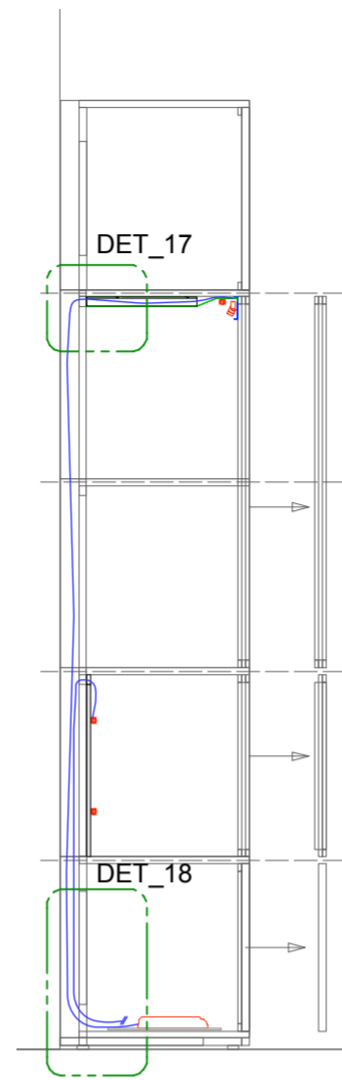


300W Transformer for 24V magnetic track, Spot luminaire local dimming at the luminaire

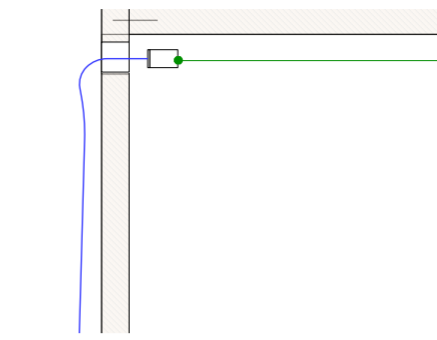
4 Channel 24V driver for linear profile, each shelf separately controlled via 2 channel (2700K/5500K)

Electronic instrument to be attached on mounting board

SECTION_DET16
Lettercase Shelf / Cabling system
1:20



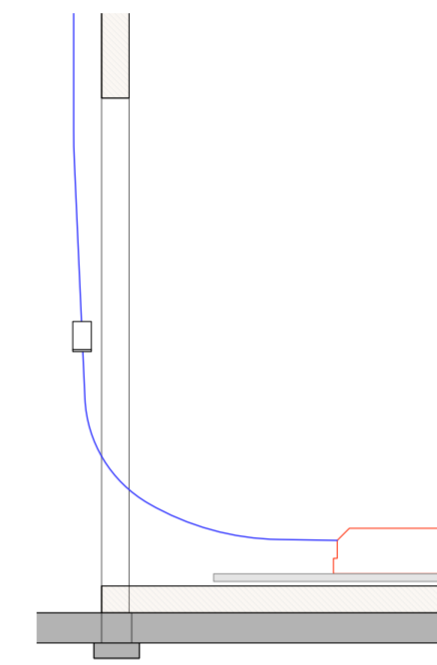
SECTION_DET17
Lettercase Shelf / Cabling system
1:5



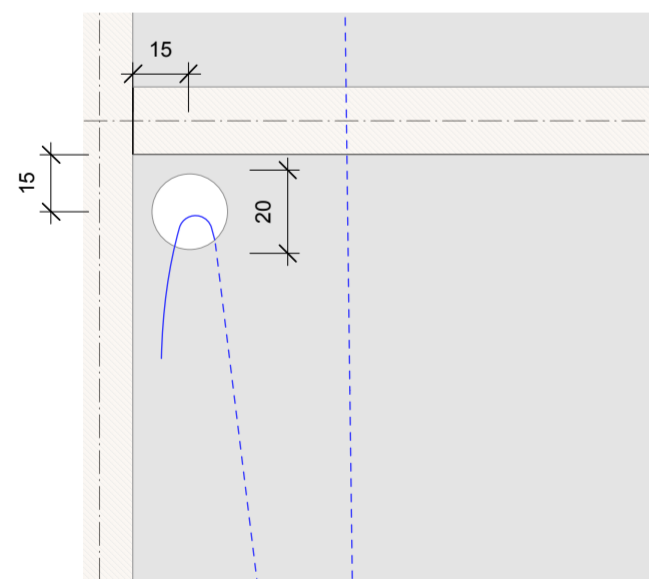
For further showcase setup, the cable can be inserted through the hole into the back wall element.

The different cables for track and linear light are prepared with different plugs to not mix electrically

SECTION_DET18
Lettercase Shelf / Cabling system
1:5

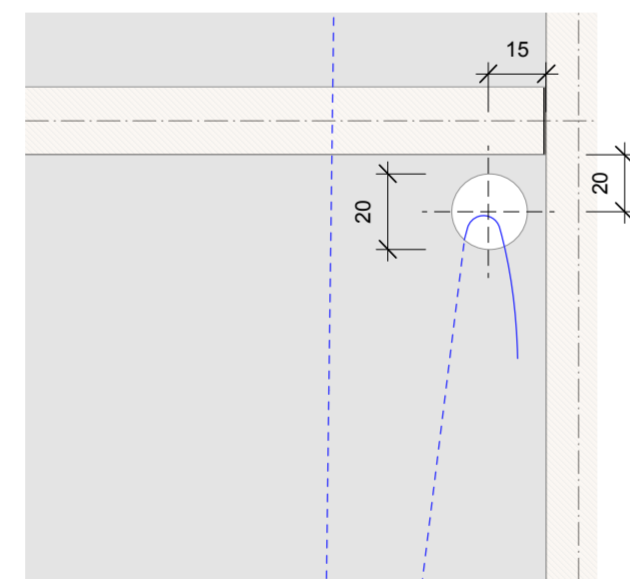


SECTION DETAIL_DET19
Cable hole
1:2



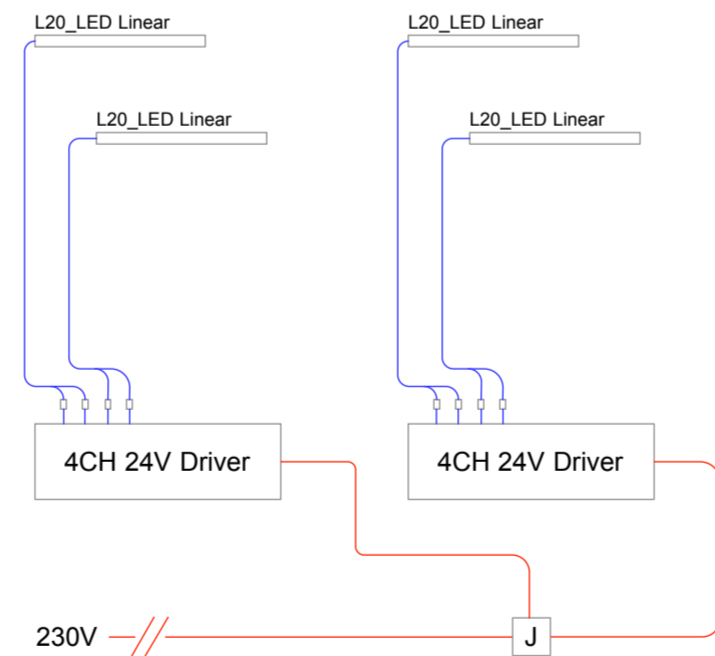
Left side cable connection for LED linear diffuse luminaire, Constant voltage

SECTION DETAIL_DET20
Cable hole
1:2

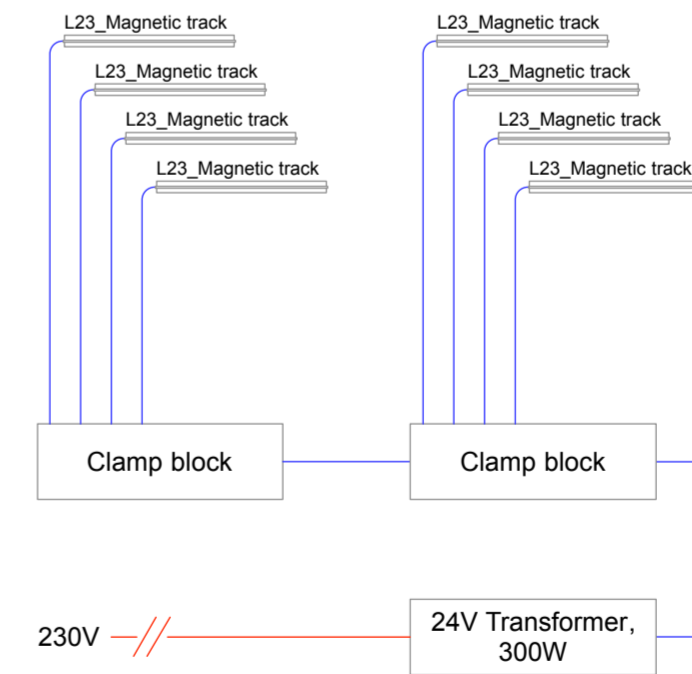


Right side cable connection for 24V Magnetic track for spotlight

CONTROL DIAGRAM 1
LED linear diffuse luminaire



CONTROL DIAGRAM 2
Magnetic track for miniature spotlight



LEGEND

SPECIALISTS	
M	MEDIEN
G	GRAPHIC
L	LIGHT
TGA	BUILDING TECHNOLOGY
	EXHIBITION ATB

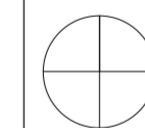
PRELIMINARY

MUST
MUSEUM STAVANGER

NORWEGIAN PRINTING MUSEUM
STAVANGER

KEY PLAN

North



AREA PLAN

Shelf_Cabling system

OVERALL AREA

client Museum Stavanger
Øvre Strandgate 88
4005 Stavanger | Norwegian
T. +47 40 60 17 01
www.museumstavanger.no
bitten.bakke@museumstavanger.no

planner exhibition szenography ATELIER BRÜCKNER GMBH
Krefelder Strasse 32
70376 Stuttgart | Germany
T. +49 711 5000 77 116
F. +49 711 5000 77 22
ngm@atelier-brueckner.com

papersize	scale	unit	sign
DIN A2	N/A	mm	sm

filename
NGM-ATB_D_1.1.0.0_06

date	code	planningphase
02.09.2019	NGM-ATB	LPH 4 - DD

type	hierarchy	no.	index
D	1.1.0.0	06	00