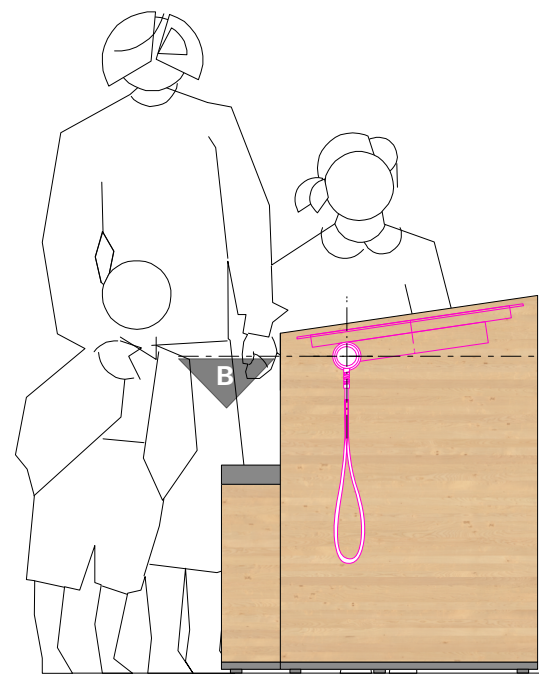
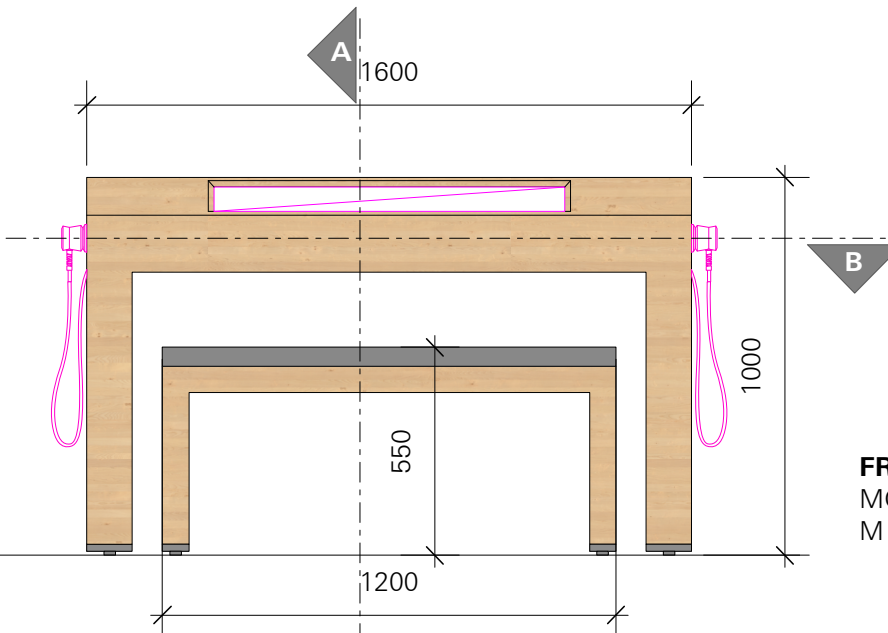


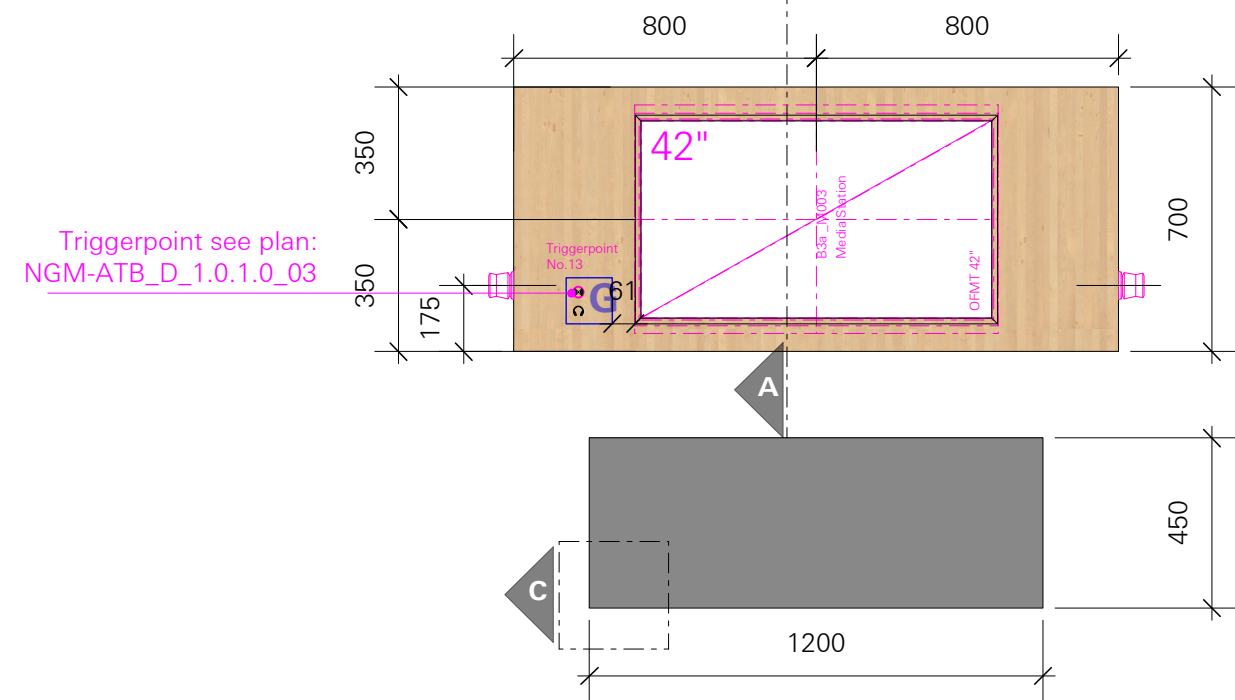
INTERVIEW STATION
MODULE B3
Pos. 2.6.2



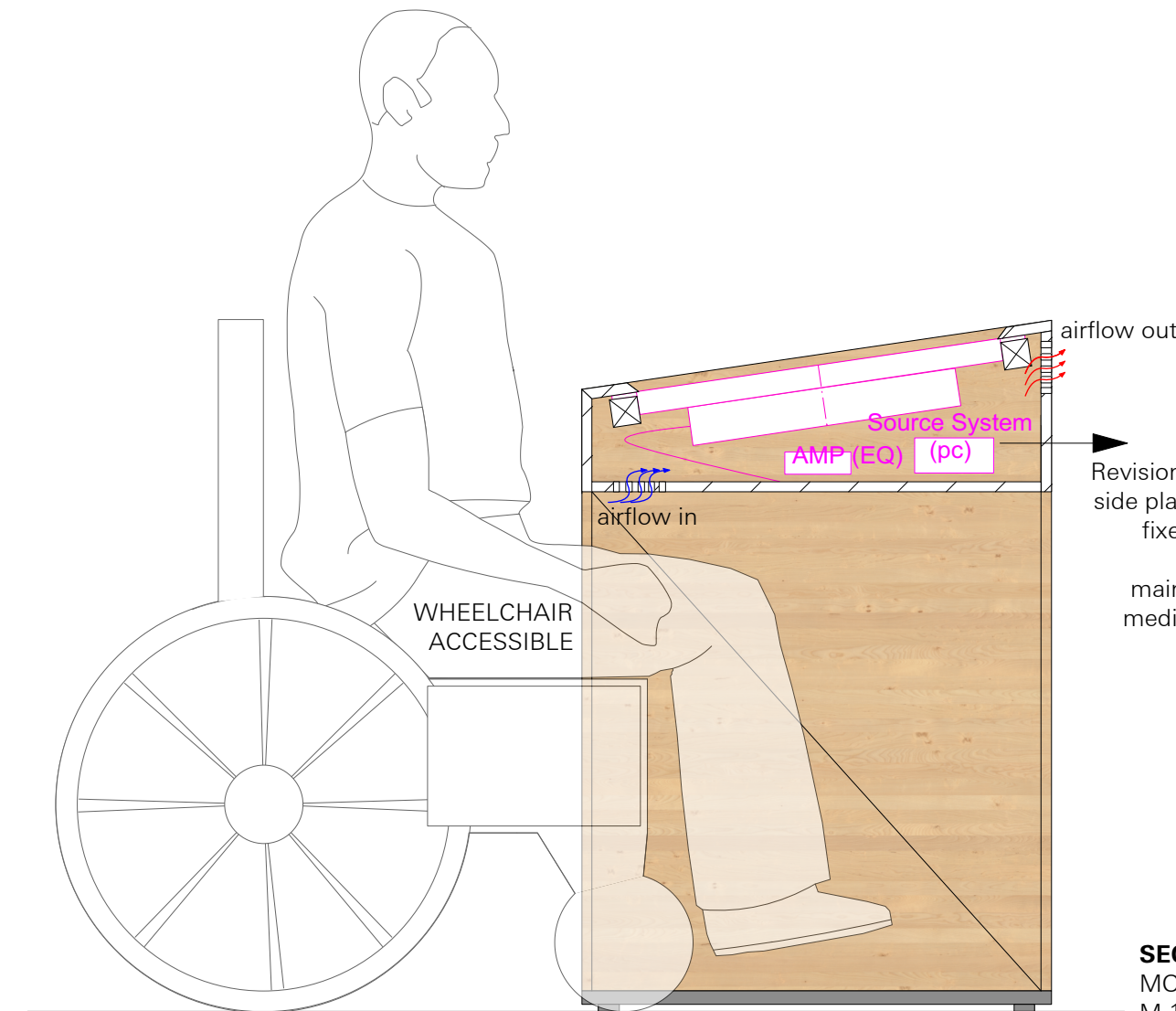
SIDE VIEW
MODULE B3a
M 1:20



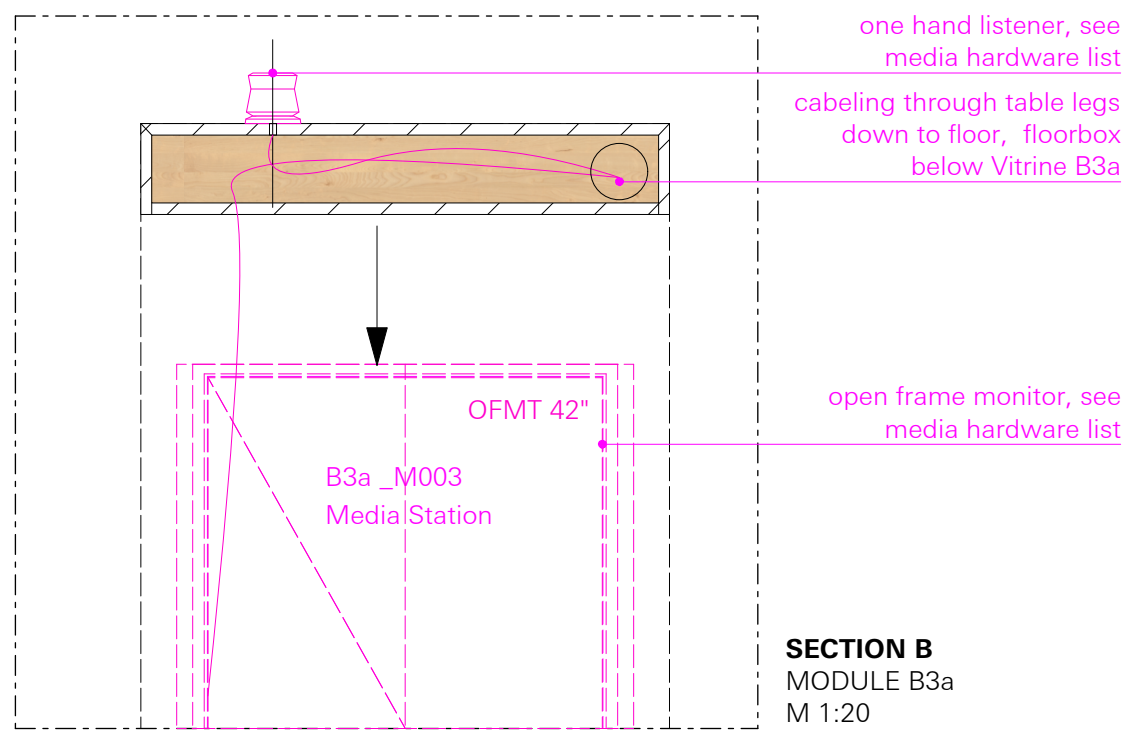
FRONT VIEW
MODULE B3a
M 1:20



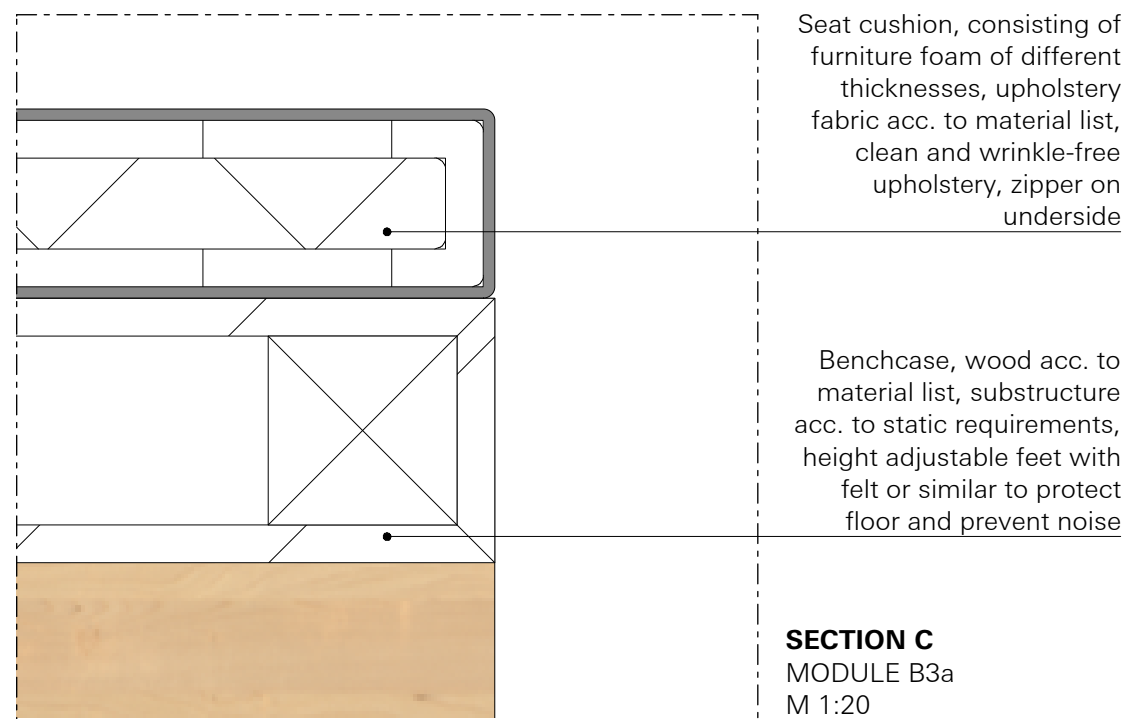
TOP VIEW
MODULE B3a
M 1:20



SECTION A
MODULE B3a
M 1:20



SECTION B
MODULE B3a
M 1:20



SECTION C
MODULE B3a
M 1:20

LEGEND

SPECIALISTS

M	MEDIEN
G	GRAPHIC
L	LIGHT
TGA	BUILDING TECHNOLOGY
	EXHIBITION ATB

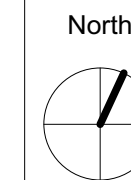
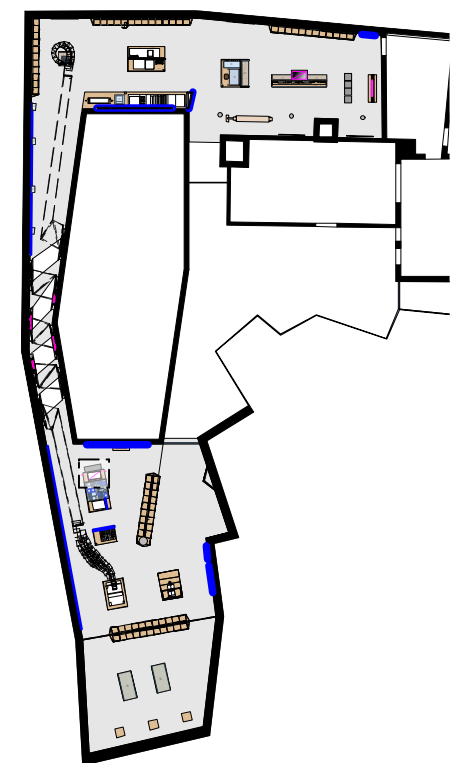
RELEASED

All measurements have to be revised carefully by the contractor/executor and compared with on-site situations. Differences concerning measurements or planning / stock have to be conveyed immediately to the designer. Details and drawings are only valid with annotation of approval by the designer.



NORWEGIAN PRINTING MUSEUM
STAVANGER

KEY PLAN



DETAIL PLAN - MODULE C
VITRINE B3a

client Museum Stavanger
Øvre Strandgate 88
4005 Stavanger I Norwegian
T. +47 40 60 17 01
www.museumstavanger.no
bitten.bakke@museumstavanger.no

planner exhibition scenography ATELIER BRÜCKNER GMBH
Krefelder Strasse 32
70376 Stuttgart I Germany
T. +49 711 5000 77 116
F. +49 711 5000 77 22
ngm@atelier-brueckner.com

papersize	scale	unit	sign
DIN A2	1:20	mm	sm

filename
NGM-ATB_D_1.4.5.0_02

date	code	planningphase
13.09.2019	NGM-ATB	LPH 4 - DD

type	hierarchy	no.	index
D	1.4.5.0	02	00