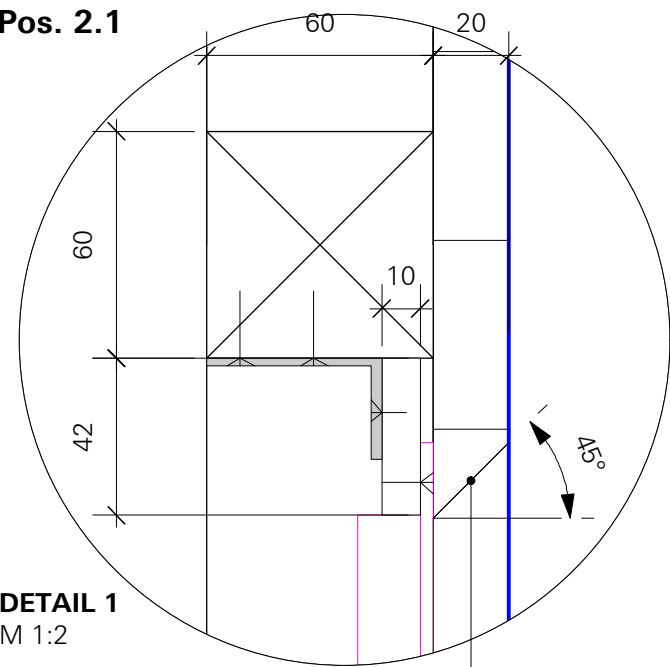


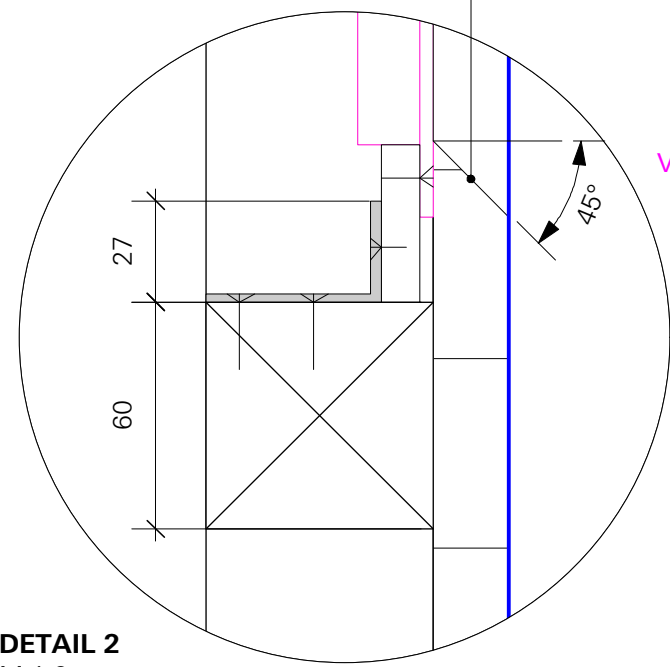
**ELEVATION 1**  
 MODULE A0: INTRODUCTION  
 MODULE A1: BEFORE WRITING

Pos. 2.1



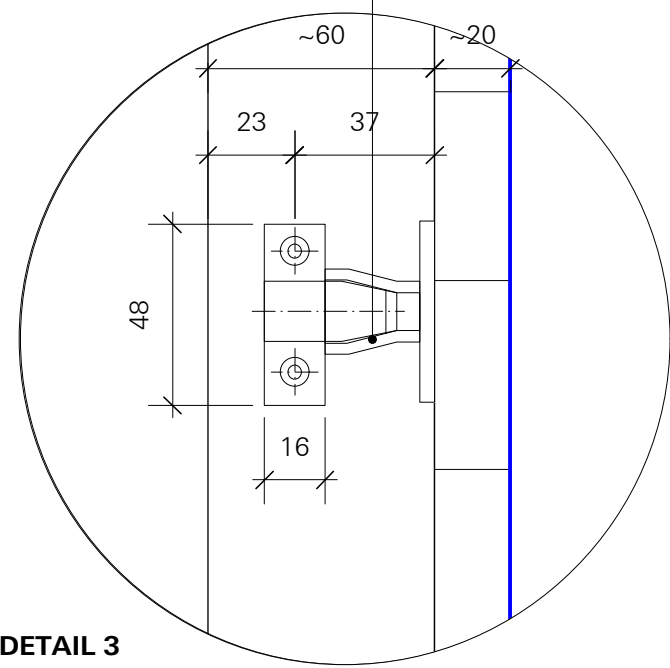
**DETAIL 1**  
M 1:2

circumferential  
45° bevel,  
sanded and clear  
laquered 2x

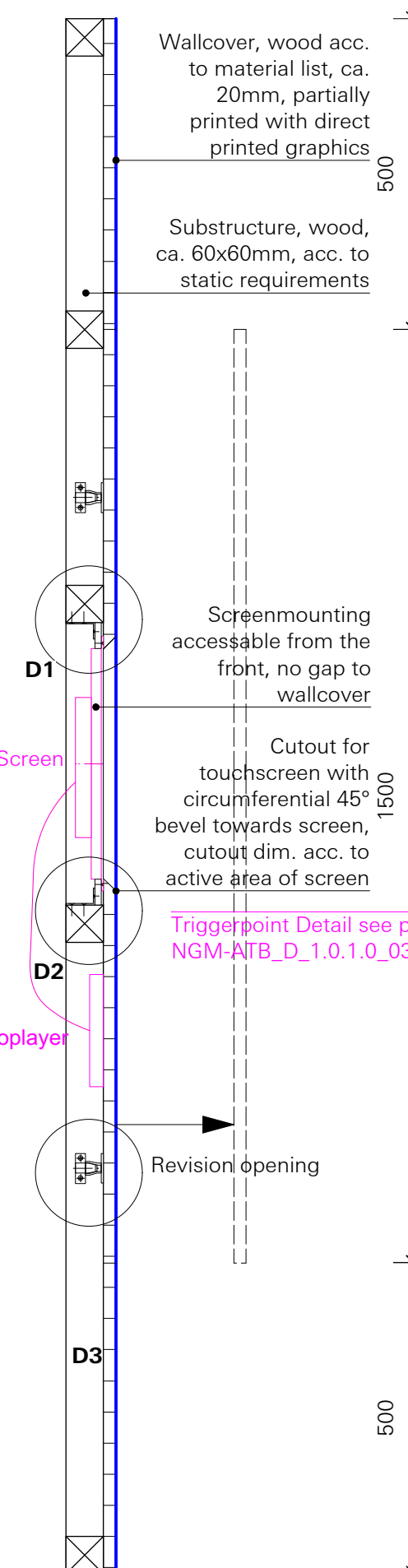


**DETAIL 2**  
M 1:2

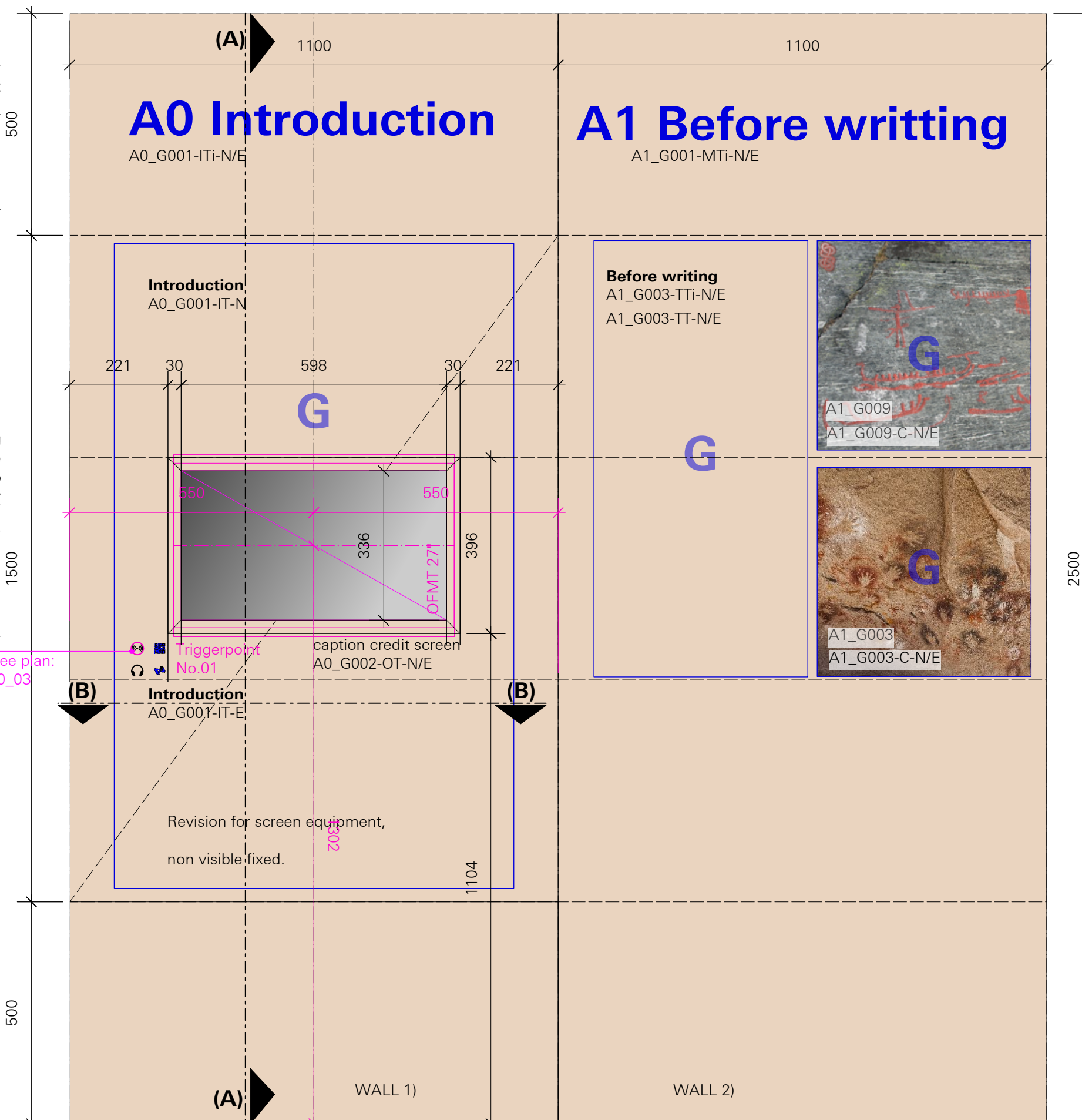
Revision opening for  
screen equipment,  
non visible fixed eg.  
Keku Profil, Häfele.



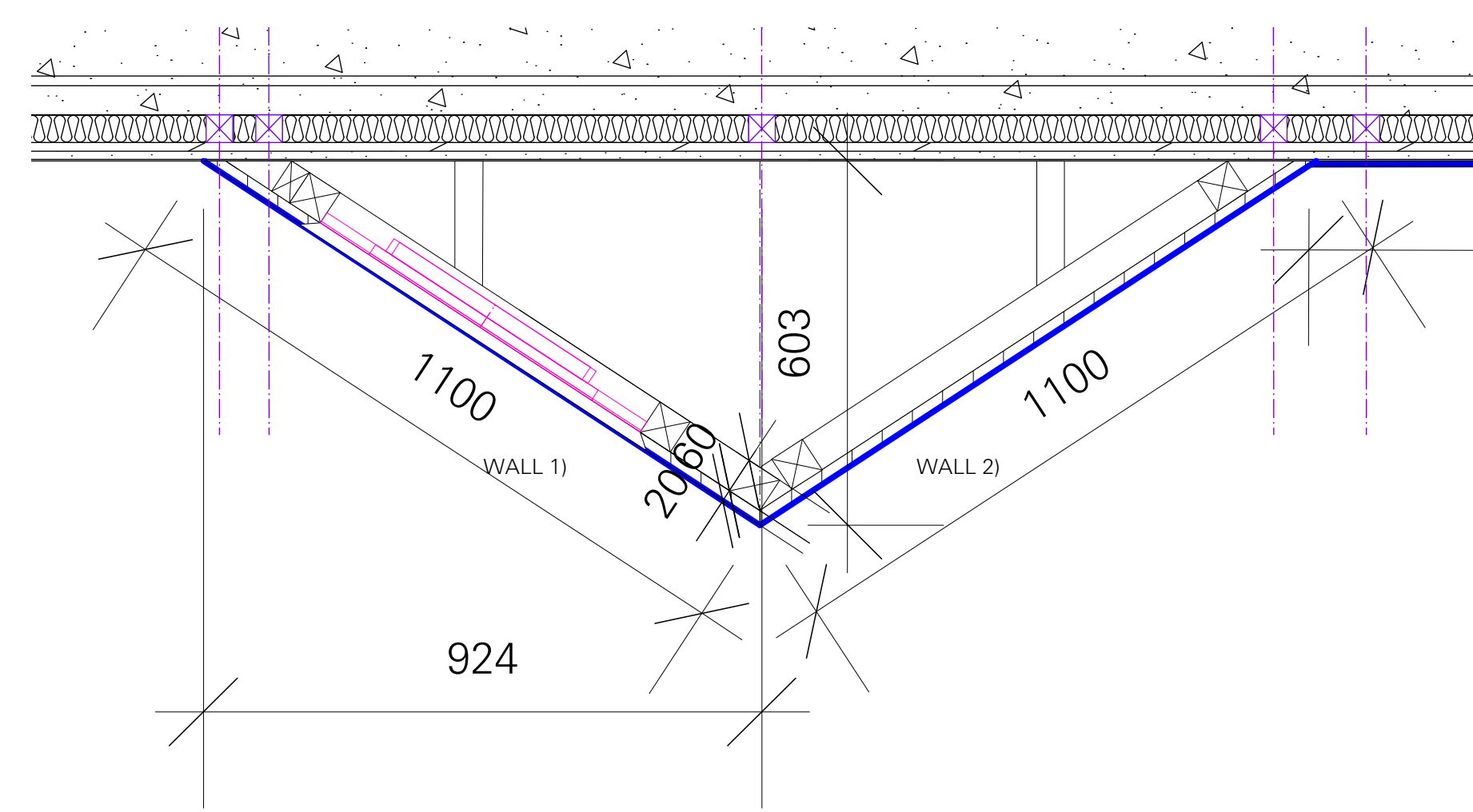
**DETAIL 3**  
M 1:2



**VERTICAL SECTION (A)**  
 MODULE A1: BEFORE WRITING  
 M 1:10



**WALLDEVELOPMENT**  
 MODULE A0/A1: BEFORE WRITING  
 M 1:10



**HORIZONTAL SECTION (B)**  
 MODULE A0/A1: BEFORE WRITING  
 M 1:10

**LEGEND**

**SPECIALISTS**

M	MEDIEN
G	GRAPHIC
L	LIGHT
TGA	BUILDING TECHNOLOGY
	EXHIBITION ATB

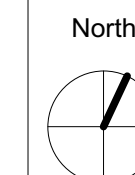
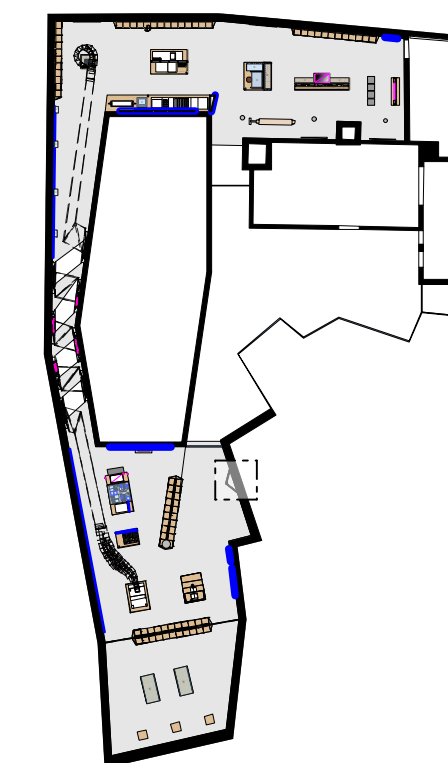
**RELEASED**

All measurements have to be revised carefully by the contractor/executor and compared with on-site situations. Differences concerning measurements or planning / stock have to be conveyed immediately to the designer. Details and drawings are only valid with annotation of approval by the designer.



**NORWEGIAN PRINTING MUSEUM**  
 STAVANGER

**KEY PLAN**



**DETAIL PLAN - MODULE A**  
 A1 - Introduction/ Before writing

**client** **Museum Stavanger**  
 Øvre Strandgate 88  
 4005 Stavanger I Norwegian  
 T. +47 40 60 17 01  
 www.museumstavanger.no  
 bitten.bakke@museumstavanger.no

**planner exhibition scenography** **ATELIER BRÜCKNER GMBH**  
 Krefelder Strasse 32  
 70376 Stuttgart I Germany  
 T. +49 711 5000 77 116  
 F. +49 711 5000 77 22  
 ngm@atelier-brueckner.com

papersize	scale	unit	sign
<b>DIN A2</b>	<b>1:10/2</b>	<b>mm</b>	<b>sm</b>

filename  
**NGM-ATB\_D\_1.2.1.0\_02**

date	code	planningphase
<b>13.09.2019</b>	<b>NGM-ATB</b>	<b>LPH 4 - DD</b>

type	hierarchy	no.	index
<b>D</b>	<b>1.2.1.0</b>	<b>02</b>	<b>00</b>