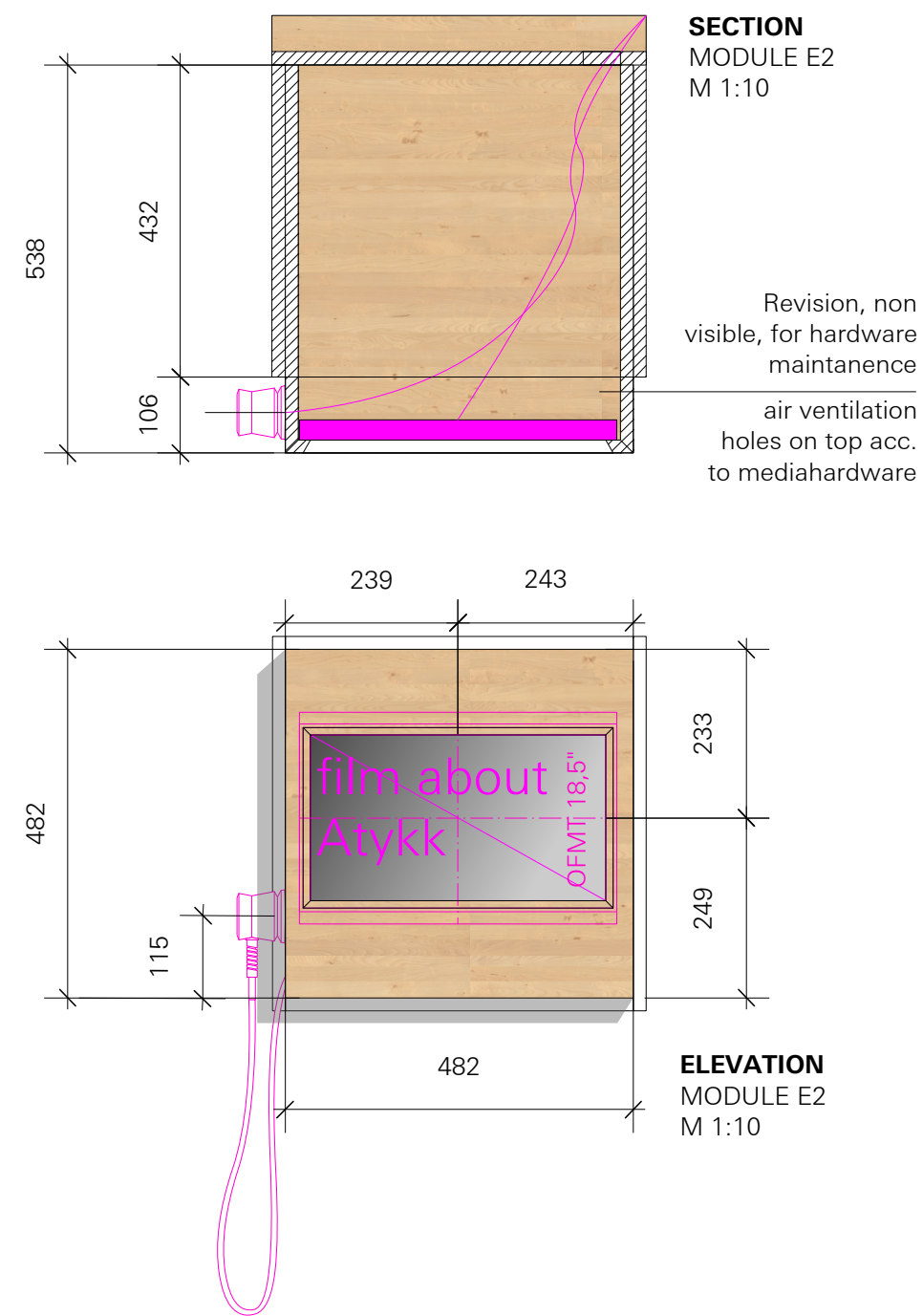


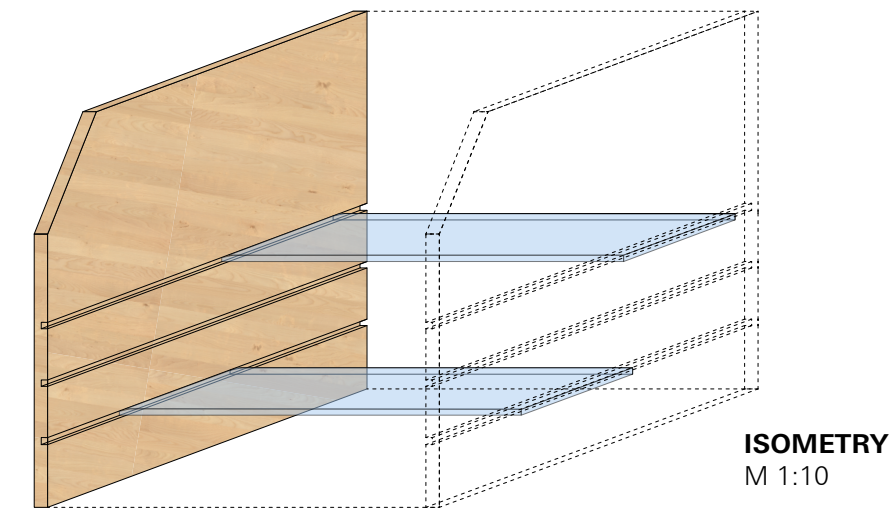
ELEVATION 1
MODULE E6

GENERAL CONSTRUCTION DETAIL OF
LETTERCASE SHELF PLEASE SEE PLAN:
NGM-ATB_D_ 1.0.1.0_01
NGM-ATB_D_ 1.0.2.0_01

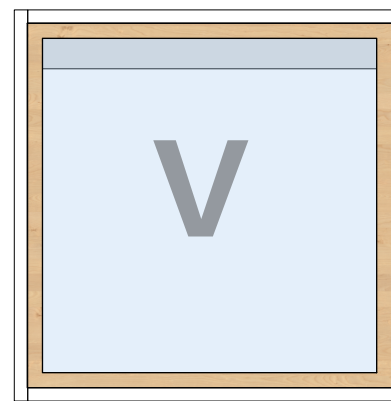
Pos. 1.7.12 OPTIONAL:
COMPONENTE IN SHELF
SCREENCASE
MODUL E2
M 1:10



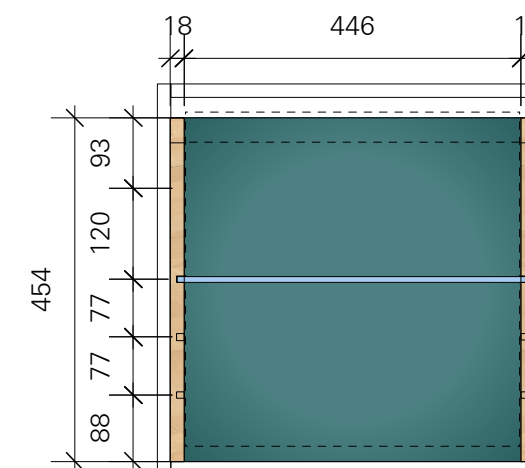
Pos. 1.7.13
ADDITIONAL GLASS SHELF
FOR SHOWCASES
ALL MODULES
M 1:10



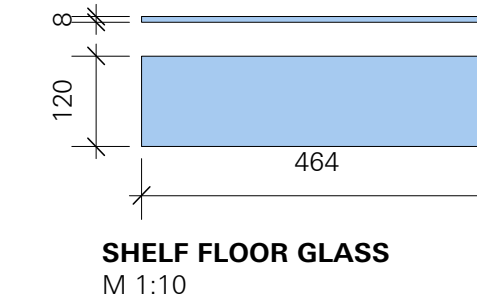
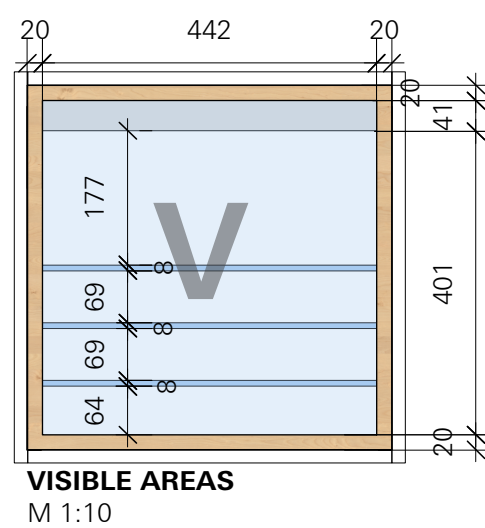
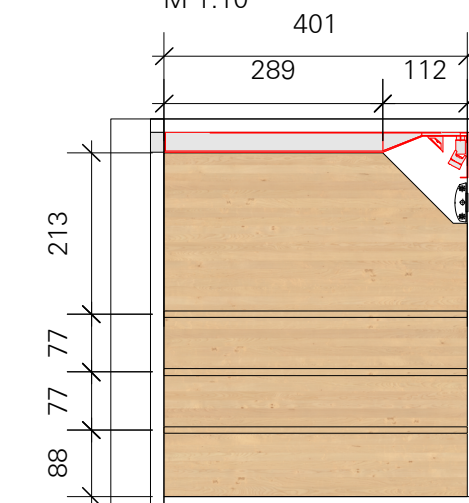
SHOWCASE FRONT
M 1:10



ADD. SHELF UNIT FRONT
M 1:10



ADD. SHELF UNIT SIDE
M 1:10



LEGEND

SPECIALISTS

M	MEDIEN
G	GRAPHIC
L	LIGHT
TGA	BUILDING TECHNOLOGY
	EXHIBITION ATB

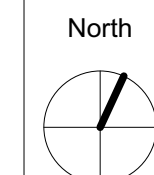
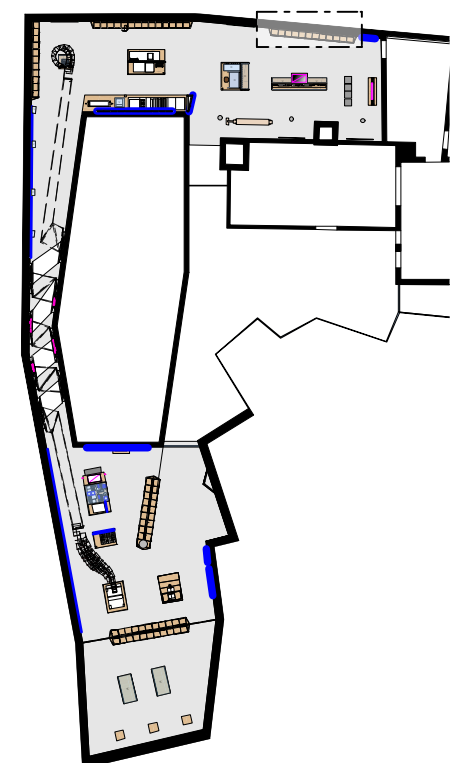
RELEASED

All measurements have to be revised carefully by the contractor/executor and compared with on-site situations. Differences concerning measurements or planning / stock have to be conveyed immediately to the designer. Details and drawings are only valid with annotation of approval by the designer.



NORWEGIAN PRINTING MUSEUM
STAVANGER

KEY PLAN



DETAIL PLAN - MODULE E
LETTERCASE SHELF - MODULE E2/E8/E6

client **Museum Stavanger**
Øvre Strandgate 88
4005 Stavanger | Norwegian
T. +47 40 60 17 01
www.museumstavanger.no
bitten.bakke@museumstavanger.no

planner exhibition scenography **ATELIER BRÜCKNER GMBH**
Krefelder Strasse 32
70376 Stuttgart | Germany
T. +49 711 5000 77 116
F. +49 711 5000 77 22
ngm@atelier-brueckner.com

papersize	scale	unit	sign
DIN A2	1:20	mm	sm

filename
NGM-ATB_D_1.6.1.0_02

date	code	planningphase
13.09.2019	NGM-ATB	LPH 4 - DD

type	hierarchy	no.	index
D	1.6.1.0	02	00