

A

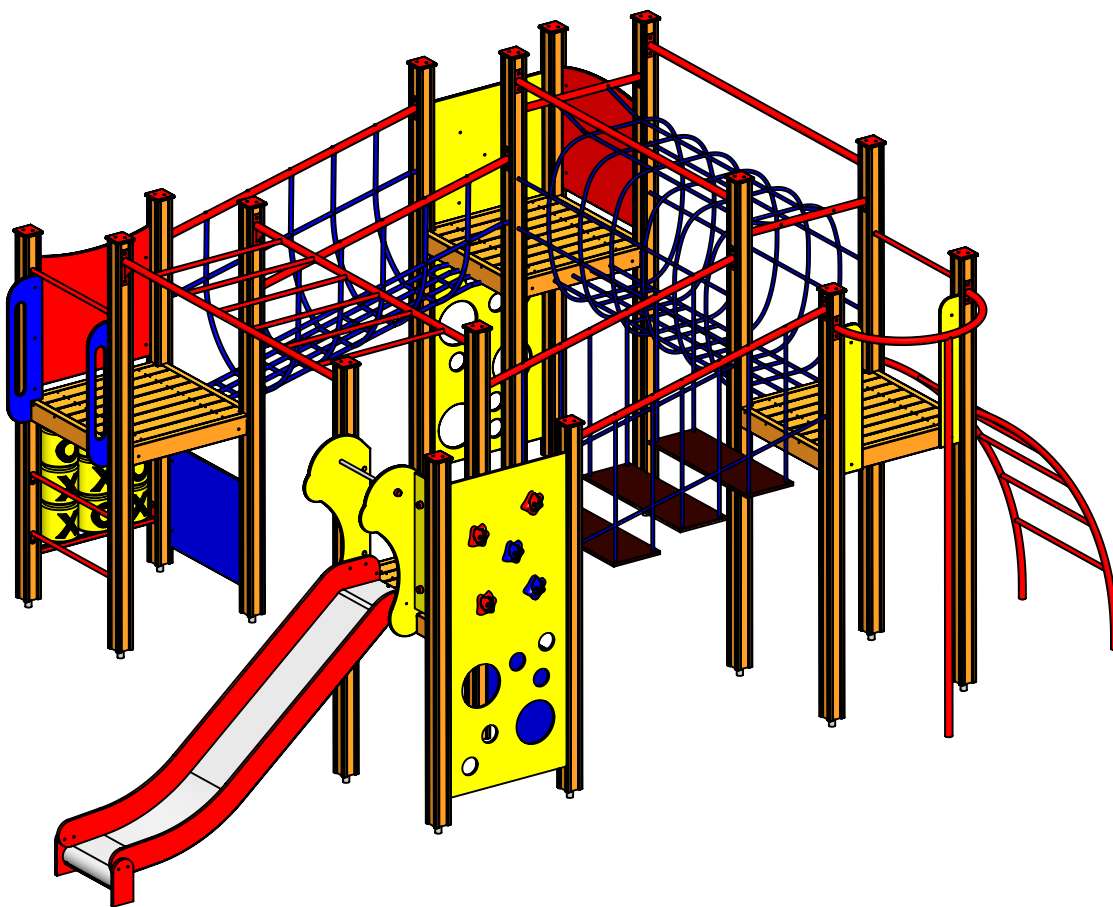
B

C

D

E

F



UNLESS OTHERWISE SPECIFIED:  
DIMENSIONS ARE IN MILLIMETERS  
WEIGHT ARE IN KILOGRAMM

PART NUMBER / DWG NO.:

LM208-1

	NAME	SIGNATURE	DATE	REVISION
DRAWN	M.Rebase		26.04.2017	
APPV'D				

DESCRIPTION:

Play centre ALEXANDRA



**Tiptaptap** OÜ

Tiptaptap OÜ  
Veetorni 9,  
Jüri alevik, Rae vald,  
75301 Harjumaa

MATERIAL:

wood, metal, plastic

A4

WEIGHT:

SCALE: 1:40

SHEET 1 OF 22

# safety area

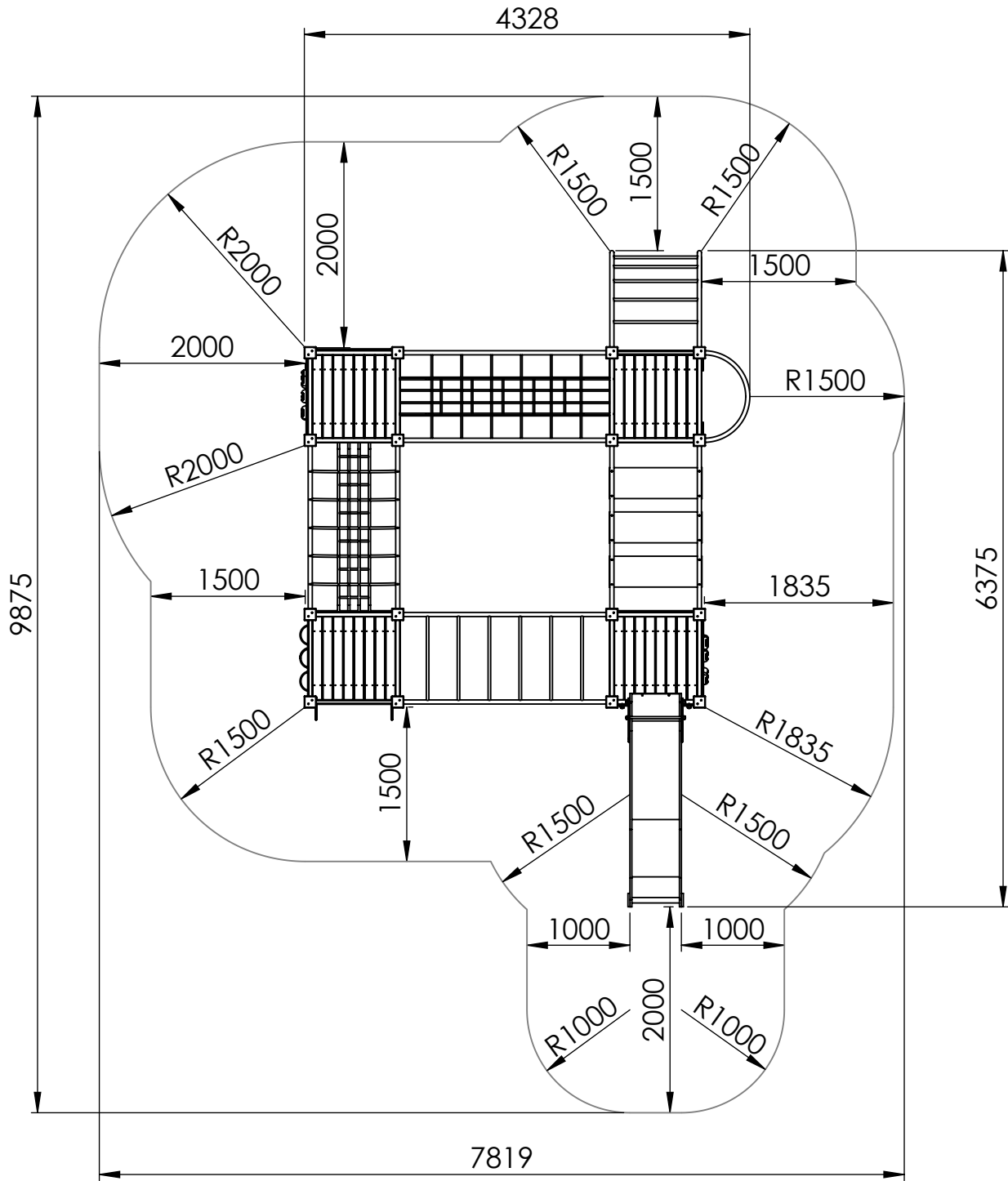
A

B

C

D

E



UNLESS OTHERWISE SPECIFIED:  
DIMENSIONS ARE IN MILLIMETERS  
WEIGHT ARE IN KILOGRAMM

PART NUMBER / DWG NO.:

LM208-1

	NAME	SIGNATURE	DATE	REVISION
DRAWN	M.Rebase		26.04.2017	
APPV'D				

DESCRIPTION:

Play centre ALEXANDRA



**Tiptaptap** OÜ

Tiptaptap OÜ  
Veetorni 9,  
Jüri alevik, Rae vald,  
75301 Harjumaa

MATERIAL:

wood, metal, plastic

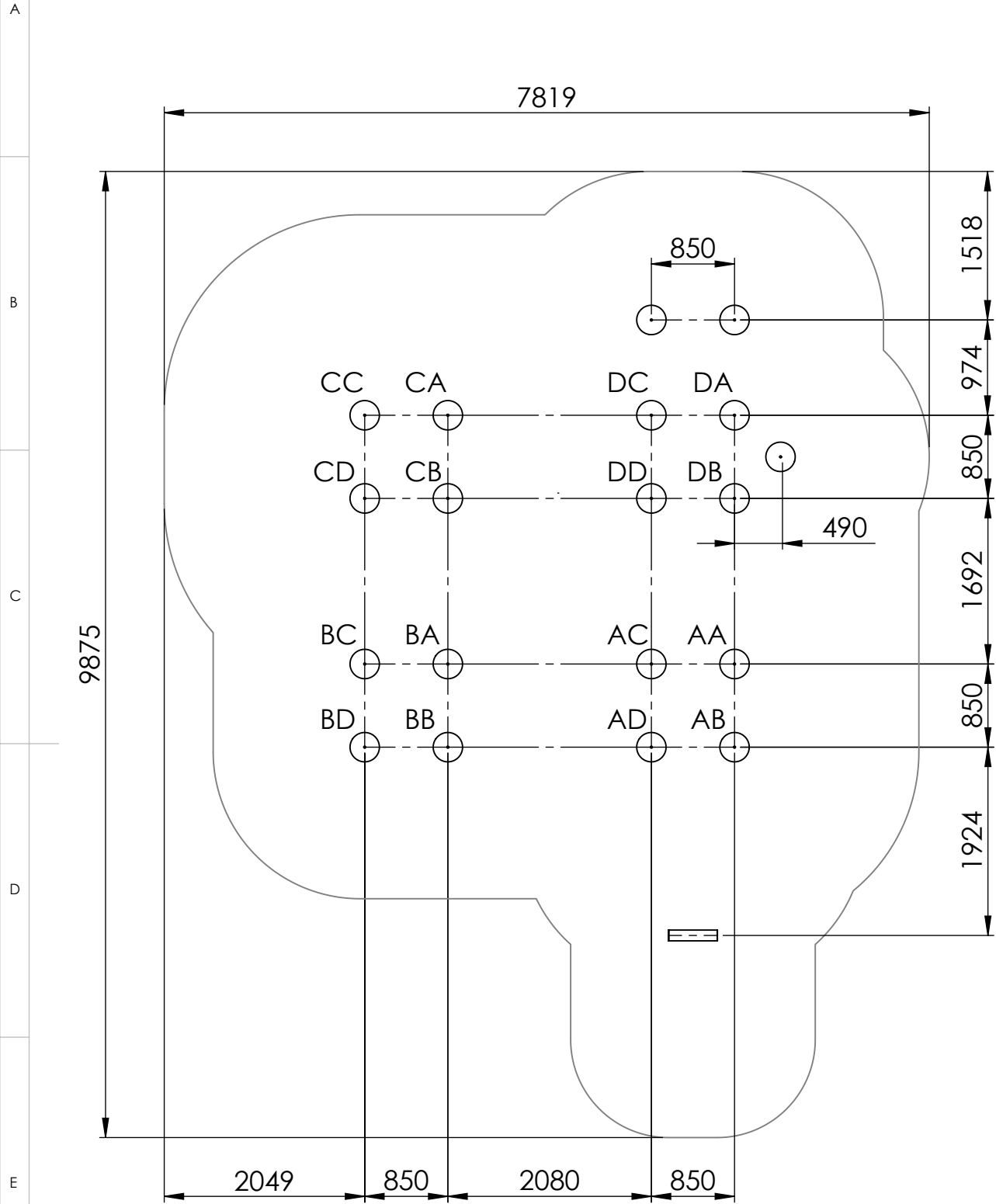
A4

WEIGHT:

SCALE: 1:60

SHEET 2 OF 22

# foundation



depth of foundation 500mm

UNLESS OTHERWISE SPECIFIED:  
DIMENSIONS ARE IN MILLIMETERS  
WEIGHT ARE IN KILOGRAMM

PART NUMBER / DWG NO.:

LM208-1

	NAME	SIGNATURE	DATE	REVISION
DRAWN	M.Rebase		26.04.2017	
APPV'D				

DESCRIPTION:

Play centre ALEXANDRA



**Tiptaptap** OÜ

Tiptaptap OÜ  
Veetorni 9,  
Jüri alevik, Rae vald,  
75301 Harjumaa

MATERIAL:

wood, metal, plastic

A4

WEIGHT:

SCALE: 1:60

SHEET 3 OF 22

1

2

3

4

A

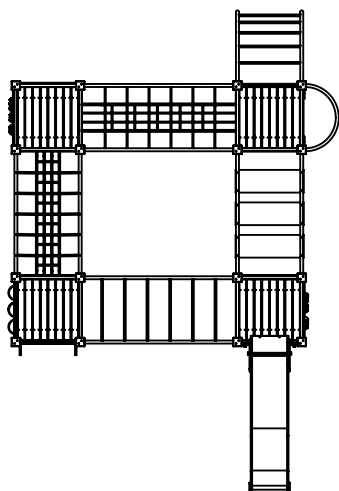
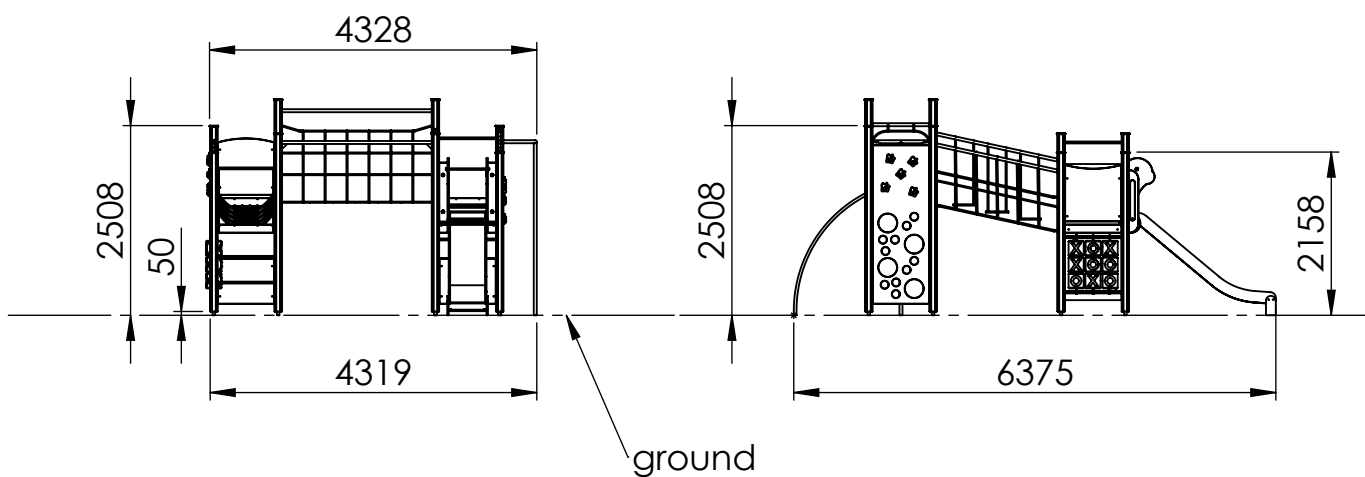
B

C

D

E

F



UNLESS OTHERWISE SPECIFIED:  
DIMENSIONS ARE IN MILLIMETERS  
WEIGHT ARE IN KILOGRAMM

PART NUMBER / DWG NO.:

LM208-1

	NAME	SIGNATURE	DATE	REVISION
DRAWN	M.Rebase		26.04.2017	
APPV'D				

DESCRIPTION:

Play centre ALEXANDRA



**Tiptaptap** OÜ

Tiptaptap OÜ  
Veetorni 9,  
Jüri alevik, Rae vald,  
75301 Harjumaa

MATERIAL:

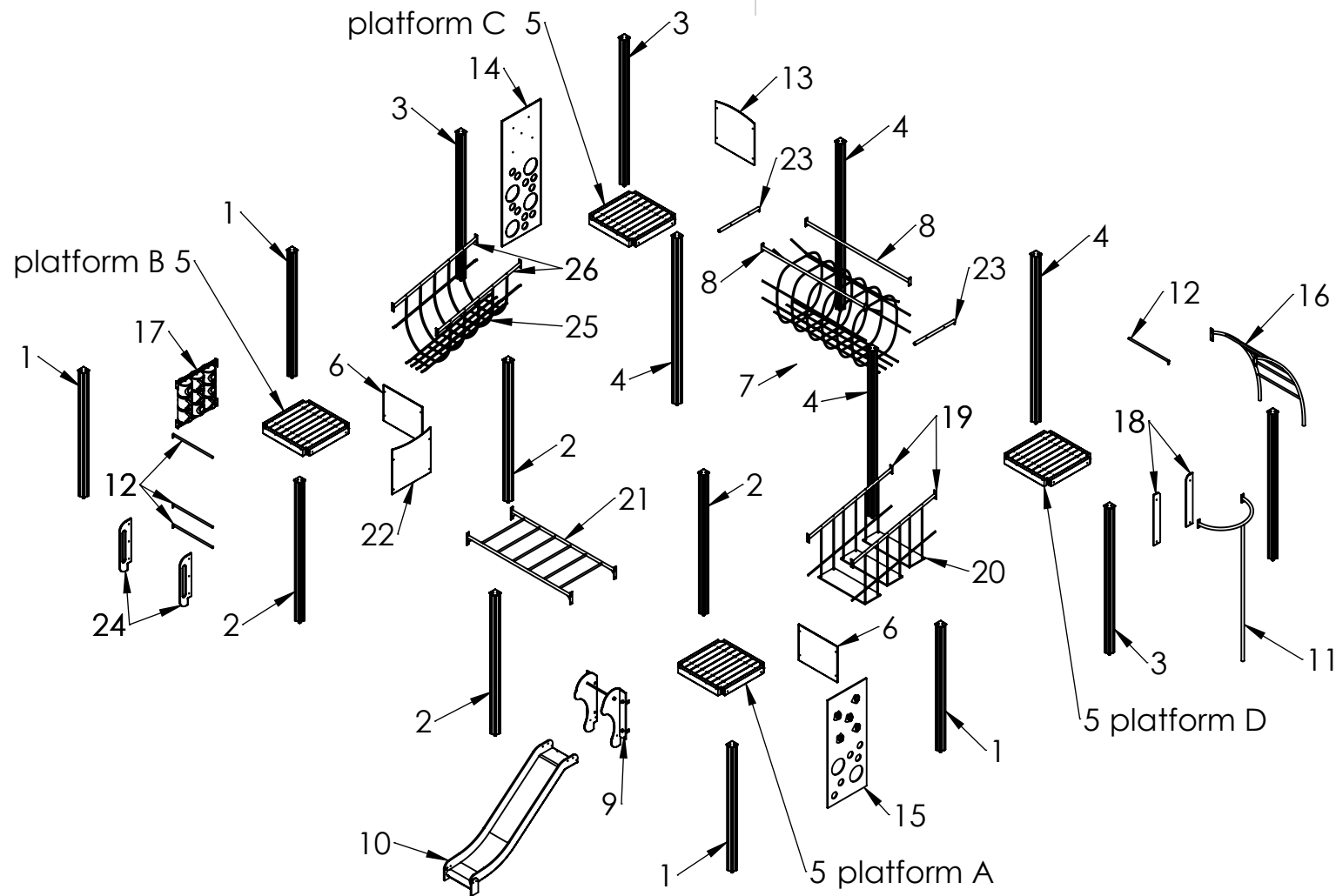
wood, metal, plastic

A4

WEIGHT:

SCALE: 1:100

SHEET 4 OF 22



UNLESS OTHERWISE SPECIFIED:  
 DIMENSIONS ARE IN MILLIMETERS  
 WEIGHT ARE IN KILOGRAMM

PART NUMBER / DWG NO.:  
**LM208-1**


	NAME	SIGNATURE	DATE	REVISION
DRAWN	M.Rebase		26.04.2017	
APPV'D				

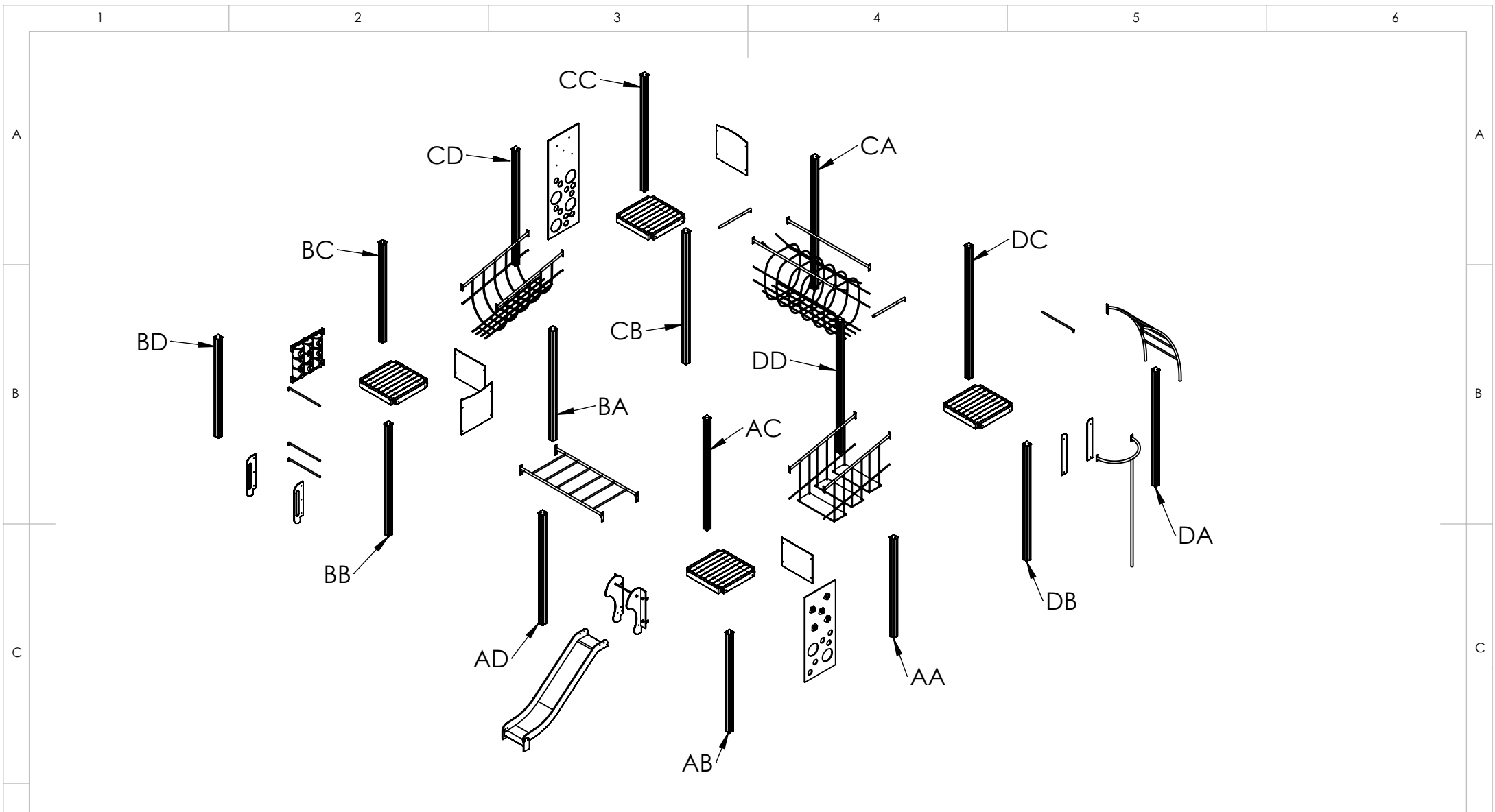
DESCRIPTION:  
**Play centre ALEXANDRA**




**Tiptaptap** OÜ  
 Tiptaptap OÜ  
 Veetorni 9,  
 Jüri alevik, Rae vald,  
 75301 Harjumaa

MATERIAL:	wood, metal, plastic	A4
WEIGHT:		SCALE: 1:90
		SHEET 5 OF 22

1	2		3	4
ITEM NO.	PART NUMBER		DESCRIPTION	QTY.
A	1	post 98x98x2100	laminated wood	4
	2	post 98x98x2350	laminated wood	4
	3	post 98x98x2450	laminated wood	4
	4	post 98x98x2800	laminated wood	4
B	5	platform	laminated wood, metal	4
	6	panel 750x600	plywood	2
	7	rope tunnel L_2000	PP covered steel wire	1
	8	beam 40x2000	painted steel	2
	9	slide guard block	plywood, metal, plastic	1
	10	slide h_1200	stainless steel, PE plastic	1
	11	climbing pole	painted steel	1
	12	guardrail $\phi$ 25x770	painted steel	4
C	13	panel 750x750 with logo	plywood	1
	14	climbing wall h_750x2100	plywood	1
	15	climbing wall h 750x1800	plywood	1
	16	arch ladder	galvanized painted steel	1
	17	OXO spinner	PE plastic	1
	18	panel 850x126	plywood	2
	19	inclined beam d.40x1650 6 holes	painted steel	2
D	20	inclined rope bridge with 3 steps	PP covered steel wire, plywood	1
	21	ladder_horisontal	painted steel	1
	22	panel 750x750	plywood	1
	23	guardrail d.40x770	painted steel	2
	24	handle	plastic	2
	25	inclined rope bridge	PP covered steel wire	1
	26	inclined beam d.40x1650 5 holes	painted steel	2
E				
F	UNLESS OTHERWISE SPECIFIED: DIMENSIONS ARE IN MILLIMETERS WEIGHT ARE IN KILOGRAMM			PART NUMBER / DWG NO.:
				LM208-1
	NAME	SIGNATURE	DATE	REVISION
	DRAWN	M.Rebase	26.04.2017	
APPV'D				
			DESCRIPTION:	
			Play centre ALEXANDRA	
			MATERIAL:	
			wood, metal, plastic	
			A4	
			WEIGHT:	
			SCALE: 1:90	
			SHEET 6 OF 22	
 <b>Tiptiptap</b> OÜ Tiptiptap OÜ Veetorni 9, Jüri alevik, Rae vald, 75301 Harjumaa				



UNLESS OTHERWISE SPECIFIED: DIMENSIONS ARE IN MILLIMETERS WEIGHT ARE IN KILOGRAMM					PART NUMBER / DWG NO.: <b>LM208-1</b>	
	NAME	SIGNATURE	DATE	REVISION	DESCRIPTION: <b>Play centre ALEXANDRA</b>	
DRAWN	M.Rebase		26.04.2017			
APPV'D						
 <b>Tiptaptap</b> OÜ Tiptaptap OÜ Veetorni 9, Jüri alevik, Rae vald, 75301 Harjumaa					MATERIAL:	wood, metal, plastic
					WEIGHT:	SCALE: 1:90
					SHEET 7 OF 22	

A

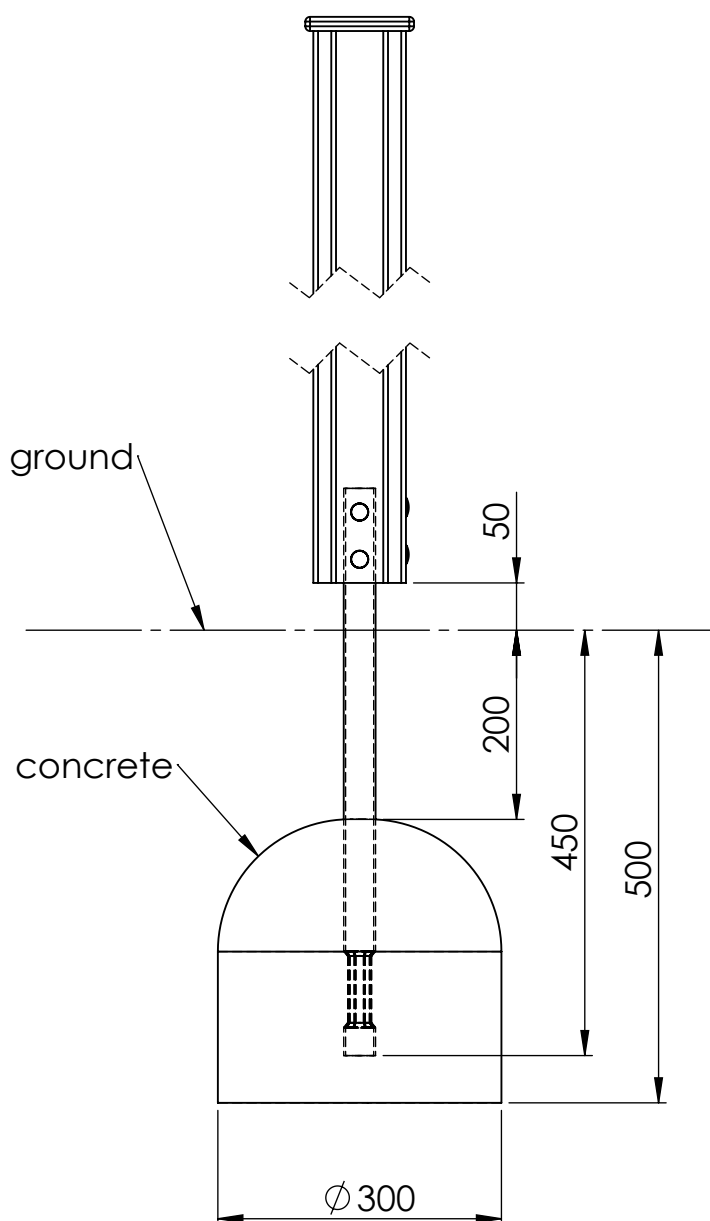
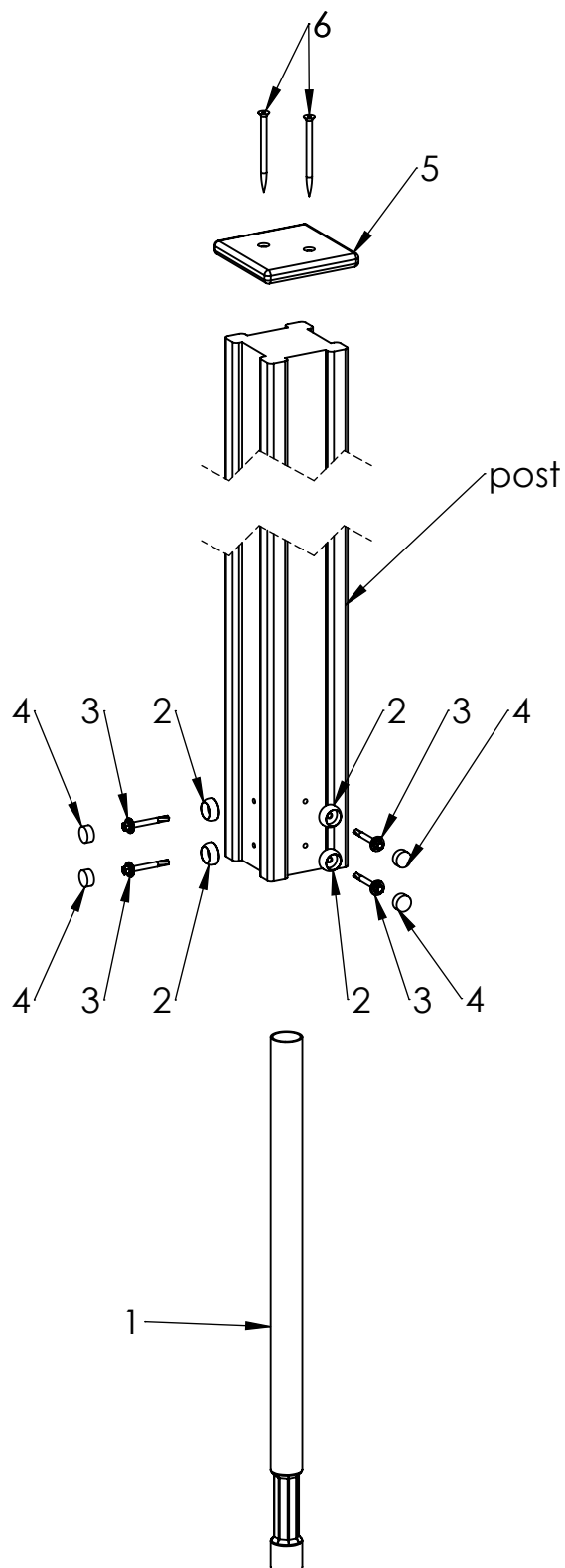
B

C

D

E

F



ITEM NO.	PART NUMBER
1	metal ground fixing L_600
2	nut cover M6
3	screw 5,5x50 DIN7504K
4	nut cover cap M6
5	plastic cap 115x115
6	wood screw 6 x 90

UNLESS OTHERWISE SPECIFIED:  
DIMENSIONS ARE IN MILLIMETERS  
WEIGHT ARE IN KILOGRAMM

PART NUMBER / DWG NO.:

LM208-1

	NAME	SIGNATURE	DATE	REVISION
DRAWN	M.Rebase		26.04.2017	
APPV'D				

DESCRIPTION:

Play centre ALEXANDRA  
connecting metal ground fixing to post

MATERIAL:

wood, metal, plastic

A4

WEIGHT:

SCALE: 1:8

SHEET 8 OF 22



**Tiptaptap** OÜ

Tiptaptap OÜ  
Veetorni 9,  
Jüri alevik, Rae vald,  
75301 Harjumaa



A

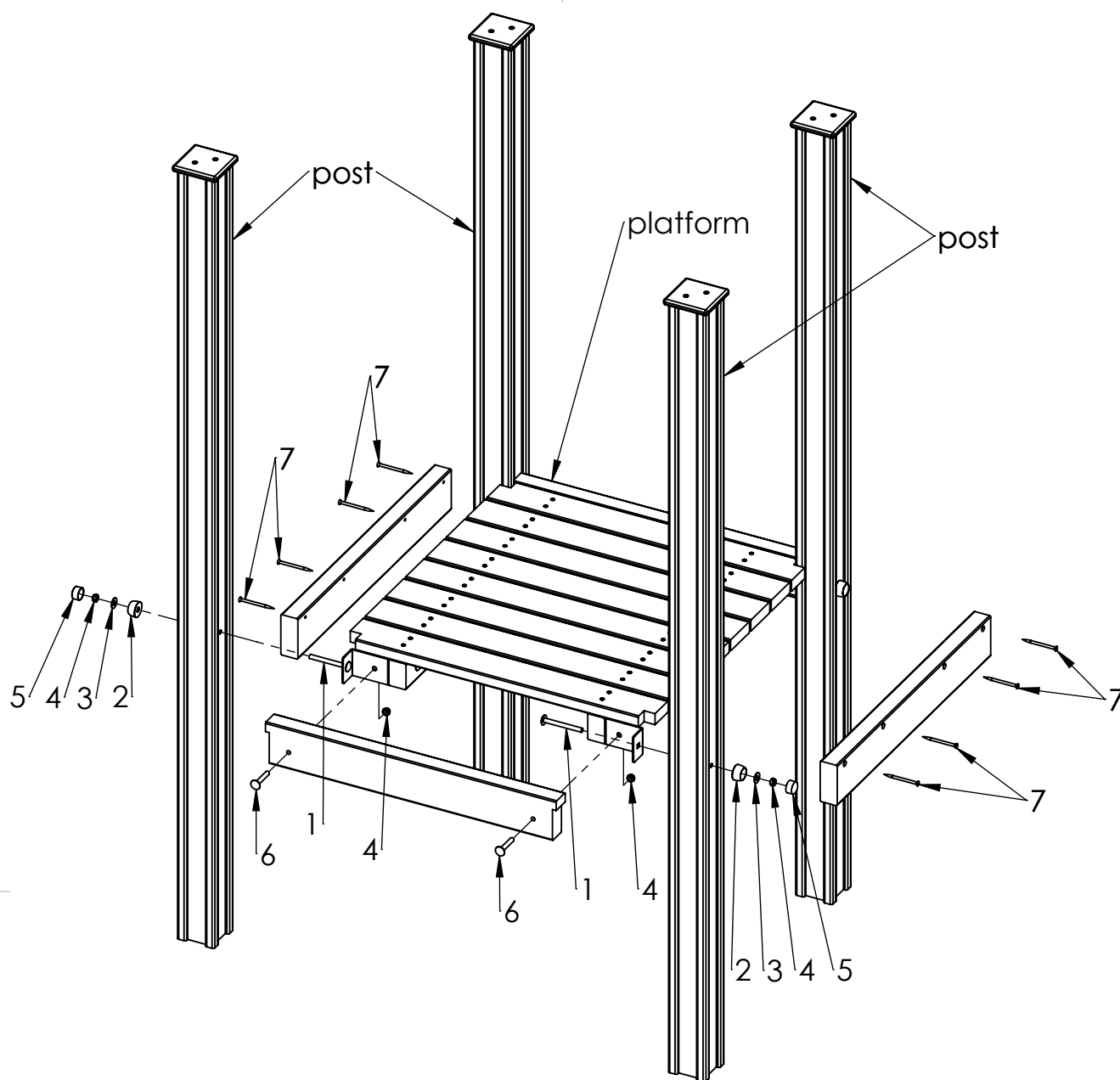
B

C

D

E

F



ITEM NO.	PART NUMBER
1	bolt M10x100 DIN603
2	nut cover M12
3	washer M10 DIN7349
4	nut M10 DIN985
5	nut cover cap M12
6	bolt M10x60 DIN603
7	wood screw 6 x 90

UNLESS OTHERWISE SPECIFIED:  
DIMENSIONS ARE IN MILLIMETERS  
WEIGHT ARE IN KILOGRAMM

PART NUMBER / DWG NO.:

LM208-1

	NAME	SIGNATURE	DATE	REVISION
DRAWN	M.Rebase		26.04.2017	
APPV'D				

DESCRIPTION:

Play centre ALEXANDRA  
connecting platform to post

MATERIAL:

wood, metal, plastic

A4

WEIGHT:

SCALE: 1:15

SHEET 9 OF 22



**Tiptap** OÜ

Tiptap OÜ  
Veetorni 9,  
Jüri alevik, Rae vald,  
75301 Harjumaa

A

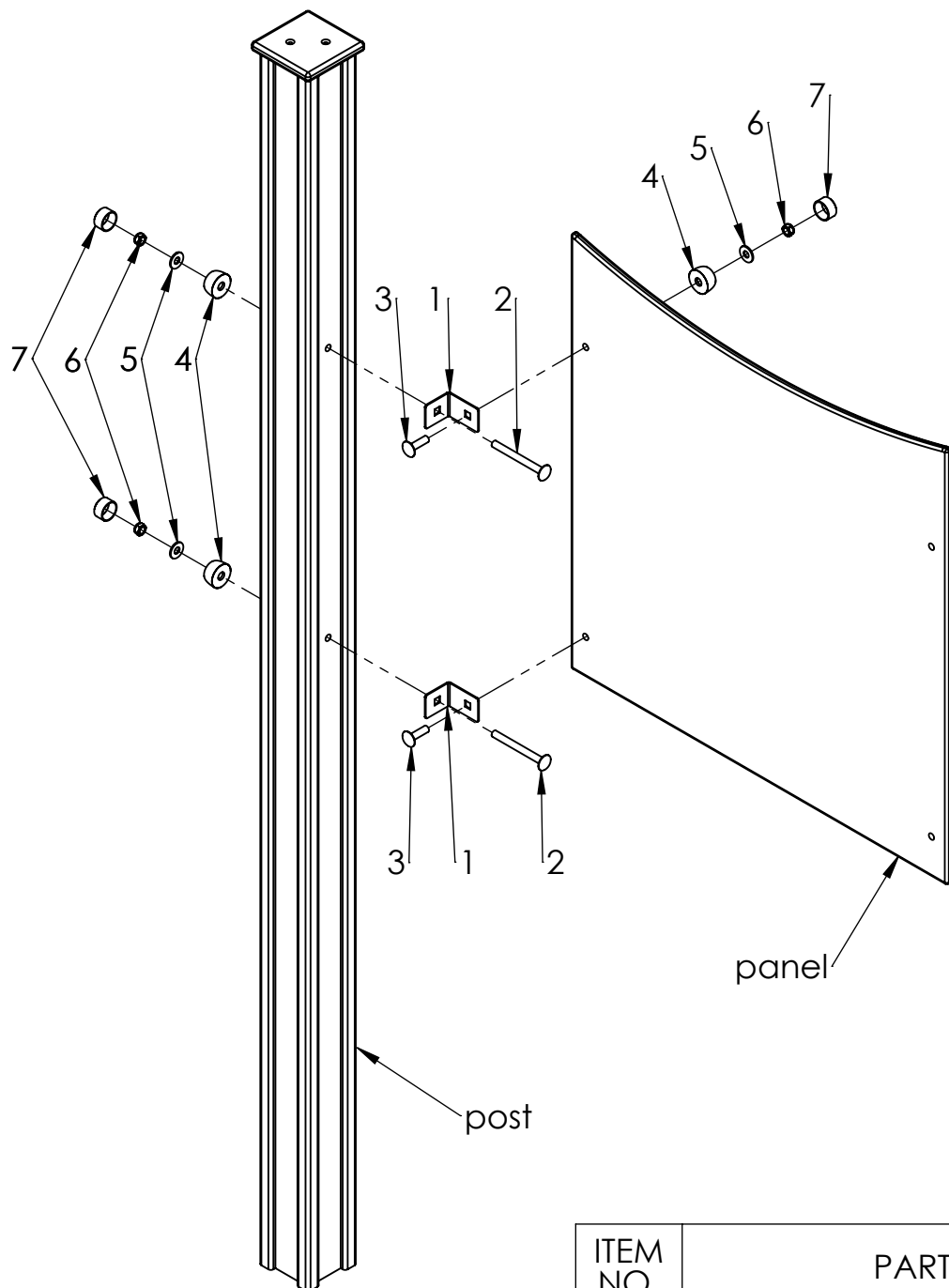
B

C

D

E

F



ITEM NO.	PART NUMBER
1	corner 48x60
2	bolt M10x100 DIN603
3	bolt M10x35 DIN603
4	nut cover M12
5	washer M10 DIN7349
6	nut M10 DIN985
7	nut cover cap M12

UNLESS OTHERWISE SPECIFIED:  
DIMENSIONS ARE IN MILLIMETERS  
WEIGHT ARE IN KILOGRAMM

PART NUMBER / DWG NO.:

LM208-1

	NAME	SIGNATURE	DATE	REVISION
DRAWN	M.Rebase		26.04.2017	
APPV'D				

DESCRIPTION:

Play centre ALEXANDRA  
connecting panel to post



**Tiptap** OÜ

Tiptap OÜ  
Veetorni 9,  
Jüri alevik, Rae vald,  
75301 Harjumaa

MATERIAL:

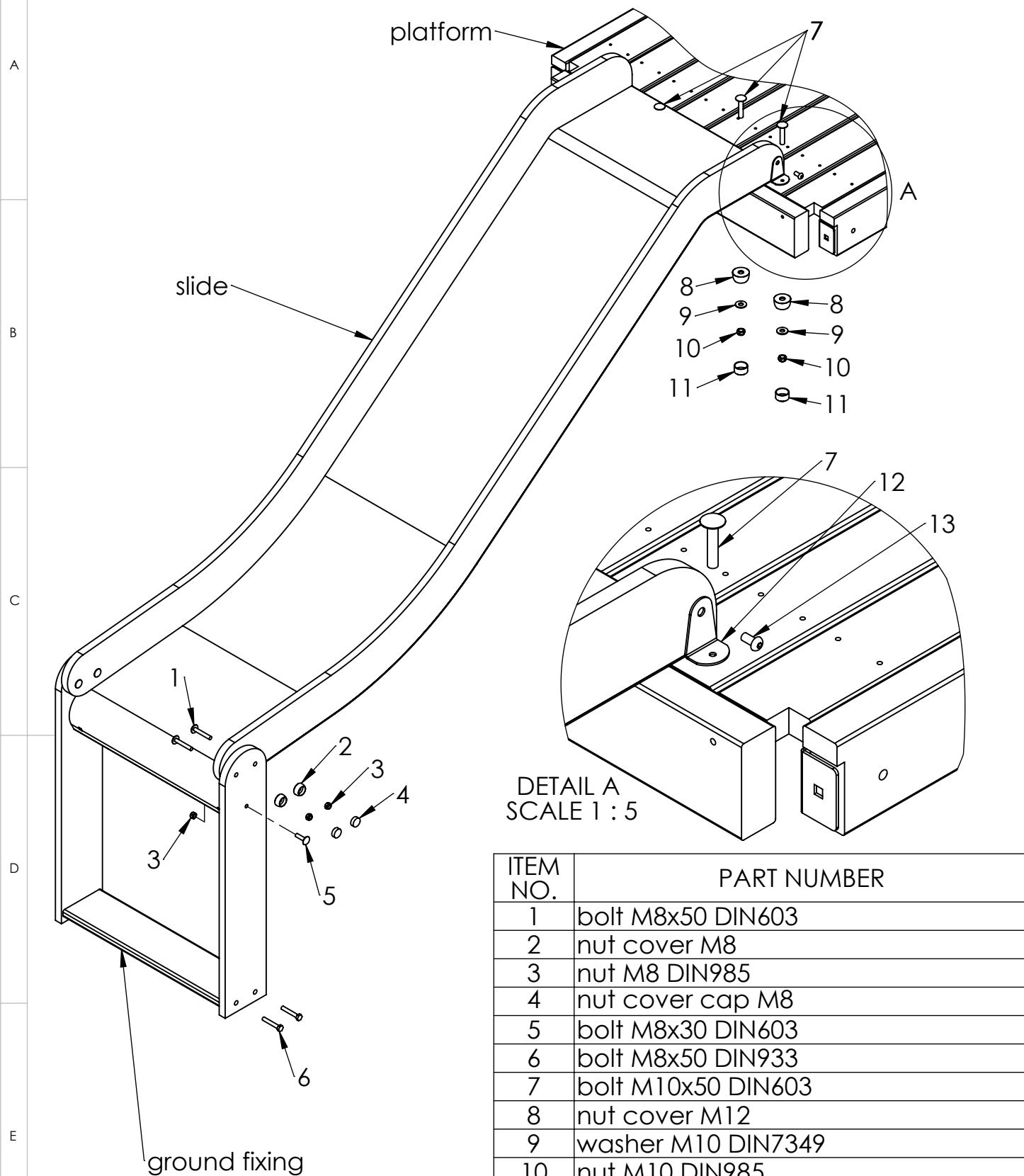
wood, metal, plastic

A4

WEIGHT:

SCALE: 1:10

SHEET 10 OF 22



ITEM NO.	PART NUMBER
1	bolt M8x50 DIN603
2	nut cover M8
3	nut M8 DIN985
4	nut cover cap M8
5	bolt M8x30 DIN603
6	bolt M8x50 DIN933
7	bolt M10x50 DIN603
8	nut cover M12
9	washer M10 DIN7349
10	nut M10 DIN985
11	nut cover cap M12
12	corner 58x30
13	metal screw M8x50 DIN 7380

UNLESS OTHERWISE SPECIFIED:  
DIMENSIONS ARE IN MILLIMETERS  
WEIGHT ARE IN KILOGRAMM

	NAME	SIGNATURE	DATE	REVISION
DRAWN	M.Rebase		26.04.2017	
APPV'D				

PART NUMBER / DWG NO.:

LM208-1

DESCRIPTION:

Play centre ALEXANDRA  
connecting slide to platform

MATERIAL:

wood, metal, plastic

A4

WEIGHT:

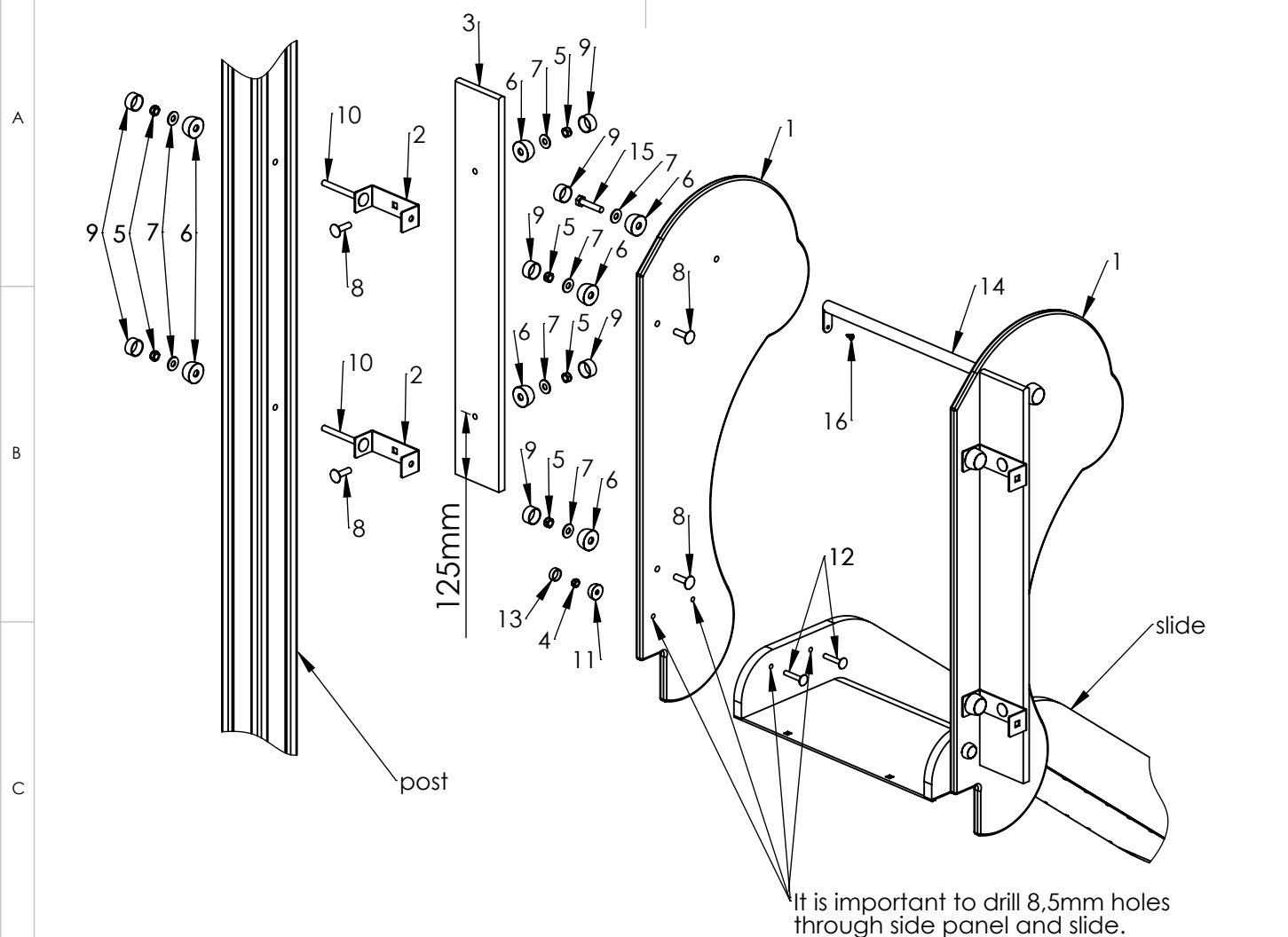
SCALE: 1:12

SHEET 11 OF 22



**Tiptap** OÜ

Tiptap OÜ  
Veetorni 9,  
Jüri alevik, Rae vald,  
75301 Harjumaa



ITEM NO.	PART NUMBER
1	slide side panel
2	slide side panel fixing 40x120
3	side panel 110x780
4	nut M8 DIN985
5	nut M10 DIN985
6	nut cover M12
7	washer M10 DIN7349
8	bolt M10x35 DIN603
9	nut cover cap M12
10	bolt M10x100 DIN603
11	nut cover M8
12	bolt M8x45 DIN603
13	nut cover cap M8
14	slide guardrail
15	bolt M10x50 DIN931
16	wood screw 4,8x13

UNLESS OTHERWISE SPECIFIED:  
DIMENSIONS ARE IN MILLIMETERS  
WEIGHT ARE IN KILOGRAMM

PART NUMBER / DWG NO.:

LM208-1

	NAME	SIGNATURE	DATE	REVISION
DRAWN	M.Rebase		26.04.2017	
APPV'D				

DESCRIPTION:

Play centre ALEXANDRA  
connecting slide guard block to post

MATERIAL:

wood, metal, plastic

A4

WEIGHT:

SCALE: 1:12

SHEET 12 OF 22



**Tiptap** OÜ

Tiptap OÜ  
Veetorni 9,  
Jüri alevik, Rae vald,  
75301 Harjumaa

A

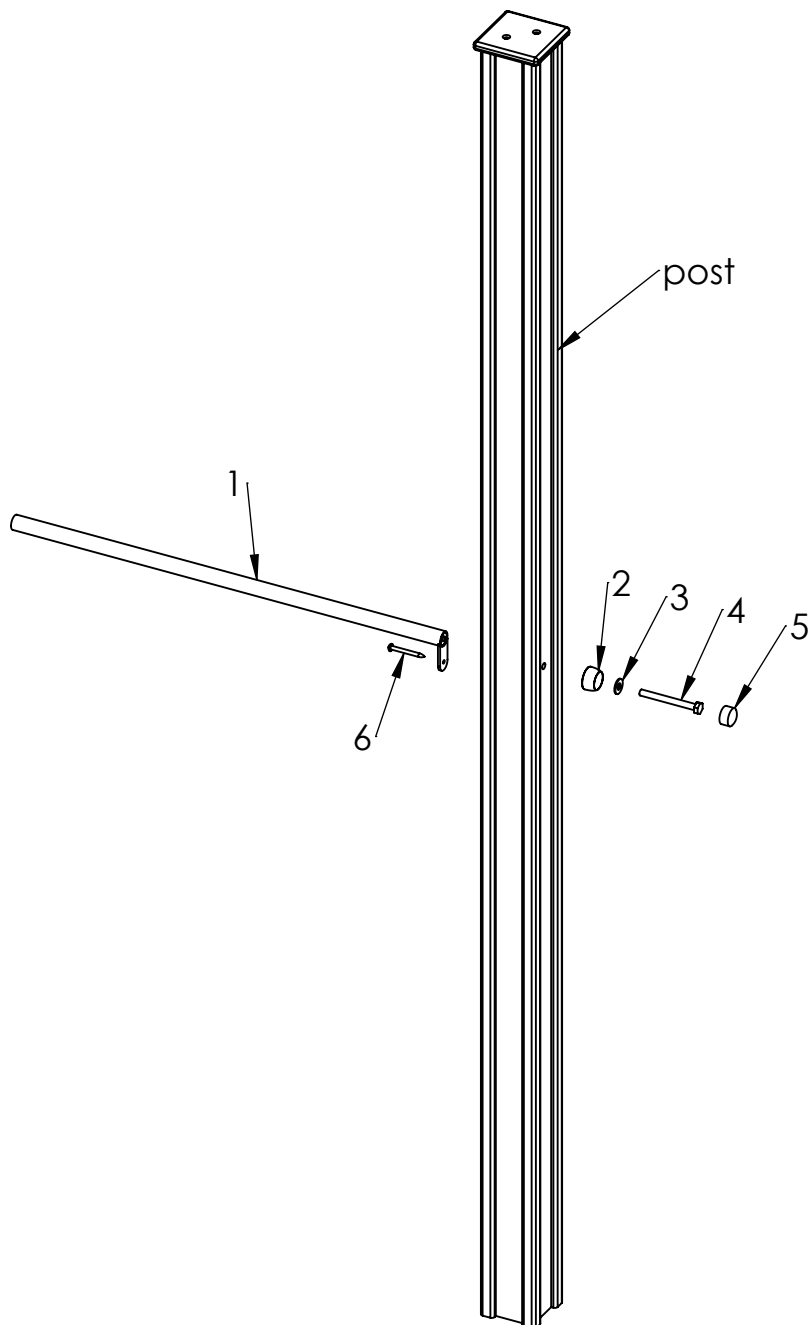
B

C

D

E

F



ITEM NO.	PART NUMBER
1	guardrail $\phi$ 25x770
2	nut cover M12
3	washer M10 DIN7349
4	bolt M10x100 DIN931
5	nut cover cap M12
6	screw 5,0x40

UNLESS OTHERWISE SPECIFIED:  
DIMENSIONS ARE IN MILLIMETERS  
WEIGHT ARE IN KILOGRAMM

	NAME	SIGNATURE	DATE	REVISION
DRAWN	M.Rebase		26.04.2017	
APPV'D				

PART NUMBER / DWG NO.:

LM208-1  
connecting guardrail to post

DESCRIPTION:

Play centre ALEXANDRA

MATERIAL:

wood, metal, plastic

A4

WEIGHT:

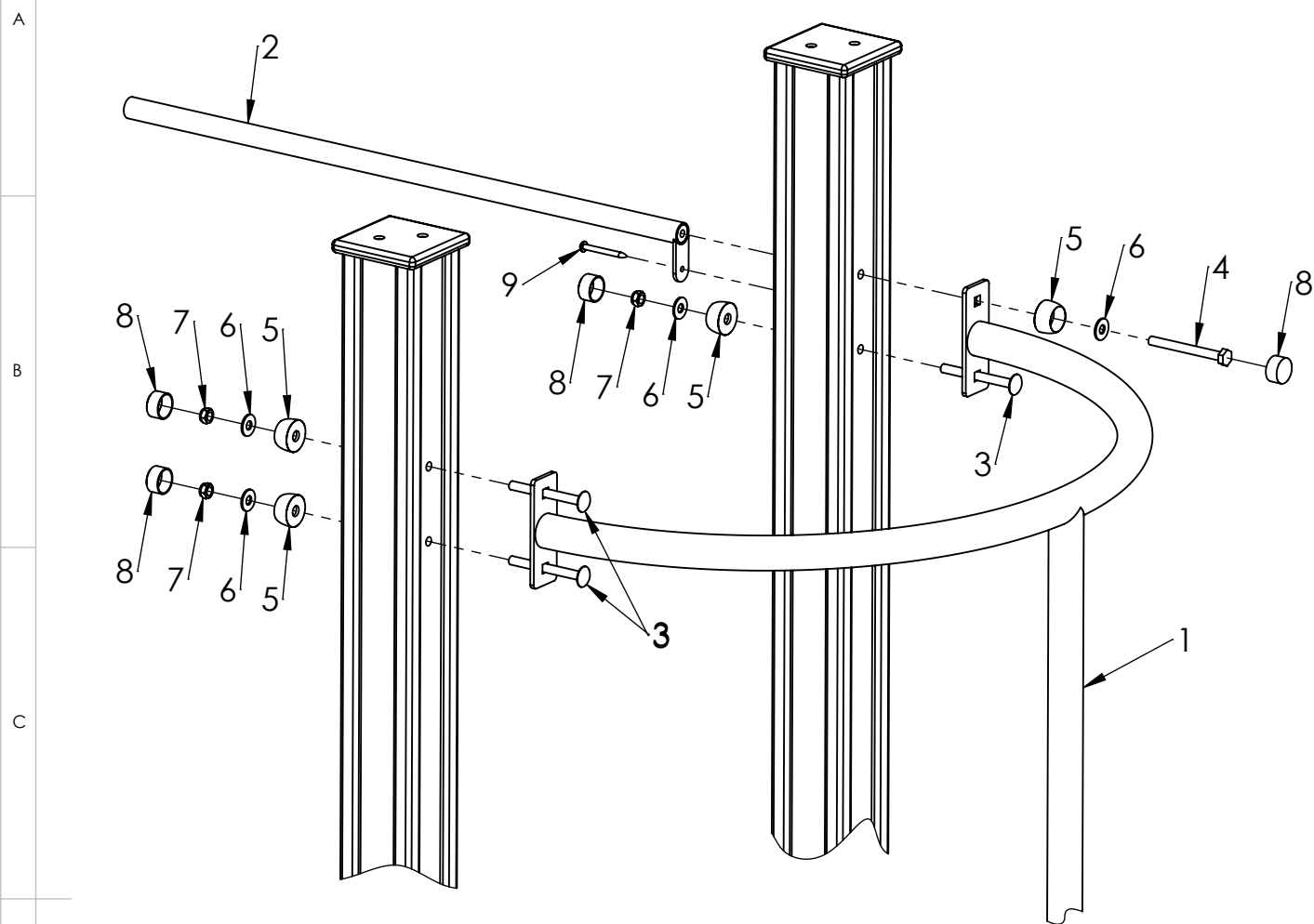
SCALE: 1:12

SHEET 13 OF 22



**Tiptaptap** OÜ

Tiptaptap OÜ  
Veetorni 9,  
Jüri alevik, Rae vald,  
75301 Harjumaa



ITEM NO.	PART NUMBER
1	climbing pole
2	guardrail $\phi$ 25x770
3	bolt M10x100 DIN603
4	bolt M10x100 DIN931
5	nut cover M12
6	washer M10 DIN7349
7	nut M10 DIN985
8	nut cover cap M12
9	screw 5,0x40

UNLESS OTHERWISE SPECIFIED:  
DIMENSIONS ARE IN MILLIMETERS  
WEIGHT ARE IN KILOGRAMM

PART NUMBER / DWG NO.:

LM208-1

	NAME	SIGNATURE	DATE	REVISION
DRAWN	M.Rebase		26.04.2017	
APPV'D				

DESCRIPTION:

Play centre ALEXANDRA  
connecting climbing pole and quardrail to post

MATERIAL:

wood, metal, plastic

A4

WEIGHT:

SCALE: 1:8

SHEET 14 OF 22



**Tiptap** OÜ

Tiptap OÜ  
Veetorni 9,  
Jüri alevik, Rae vald,  
75301 Harjumaa

A

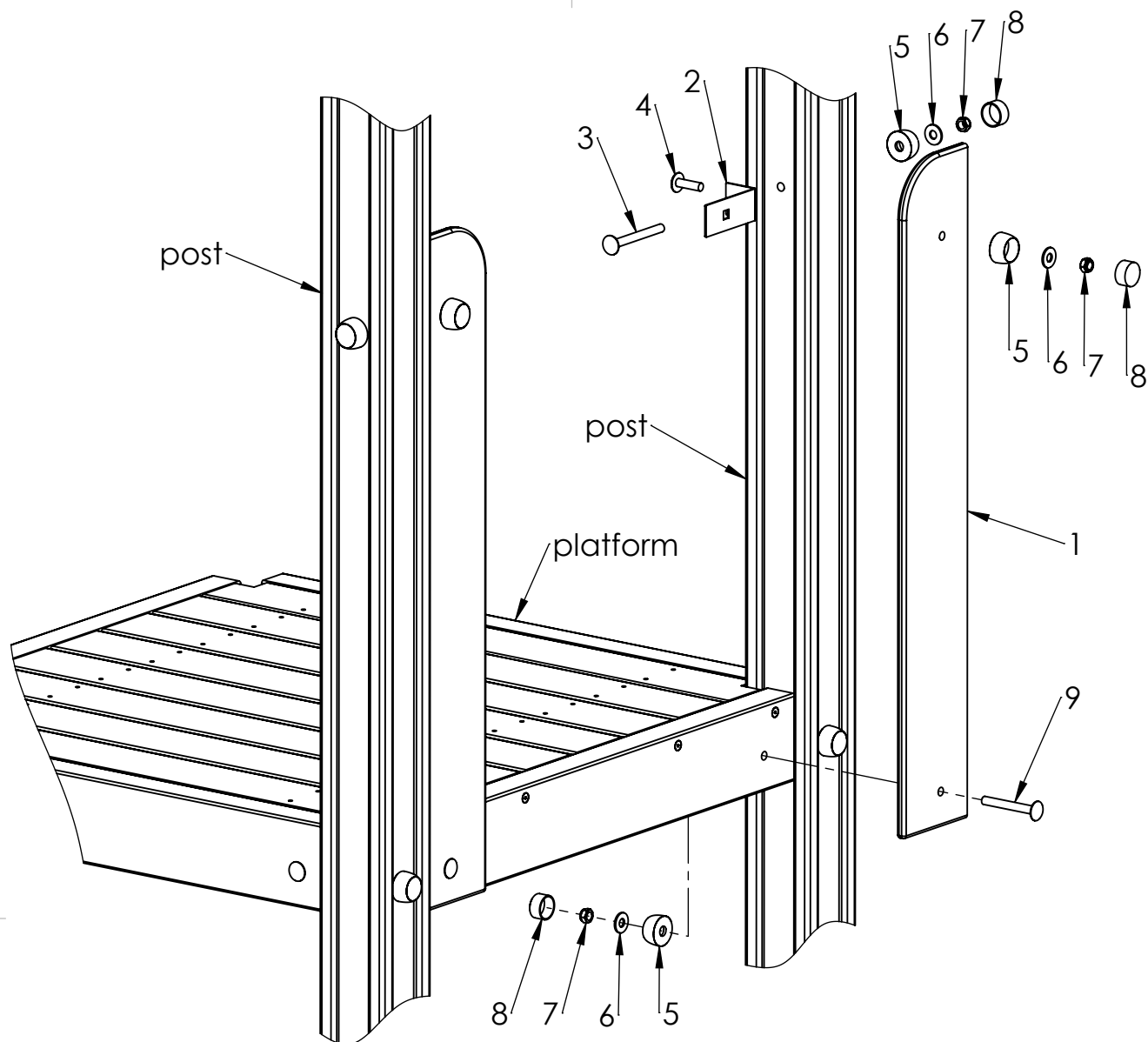
B

C

D

E

F



ITEM NO.	PART NUMBER
1	panel 850x126
2	slide side panel fixing 40x100
3	bolt M10x100 DIN603
4	bolt M10x35 DIN603
5	nut cover M12
6	washer M10 DIN7349
7	nut M10 DIN985
8	nut cover cap M12
9	bolt M10x80 DIN603

UNLESS OTHERWISE SPECIFIED:  
DIMENSIONS ARE IN MILLIMETERS  
WEIGHT ARE IN KILOGRAMM

PART NUMBER / DWG NO.:

LM208-1

	NAME	SIGNATURE	DATE	REVISION
DRAWN	M.Rebase		26.04.2017	
APPV'D				

DESCRIPTION:

Play centre ALEXANDRA  
connecting climbing pole side panel to post

MATERIAL:

wood, metal, plastic

A4

WEIGHT:

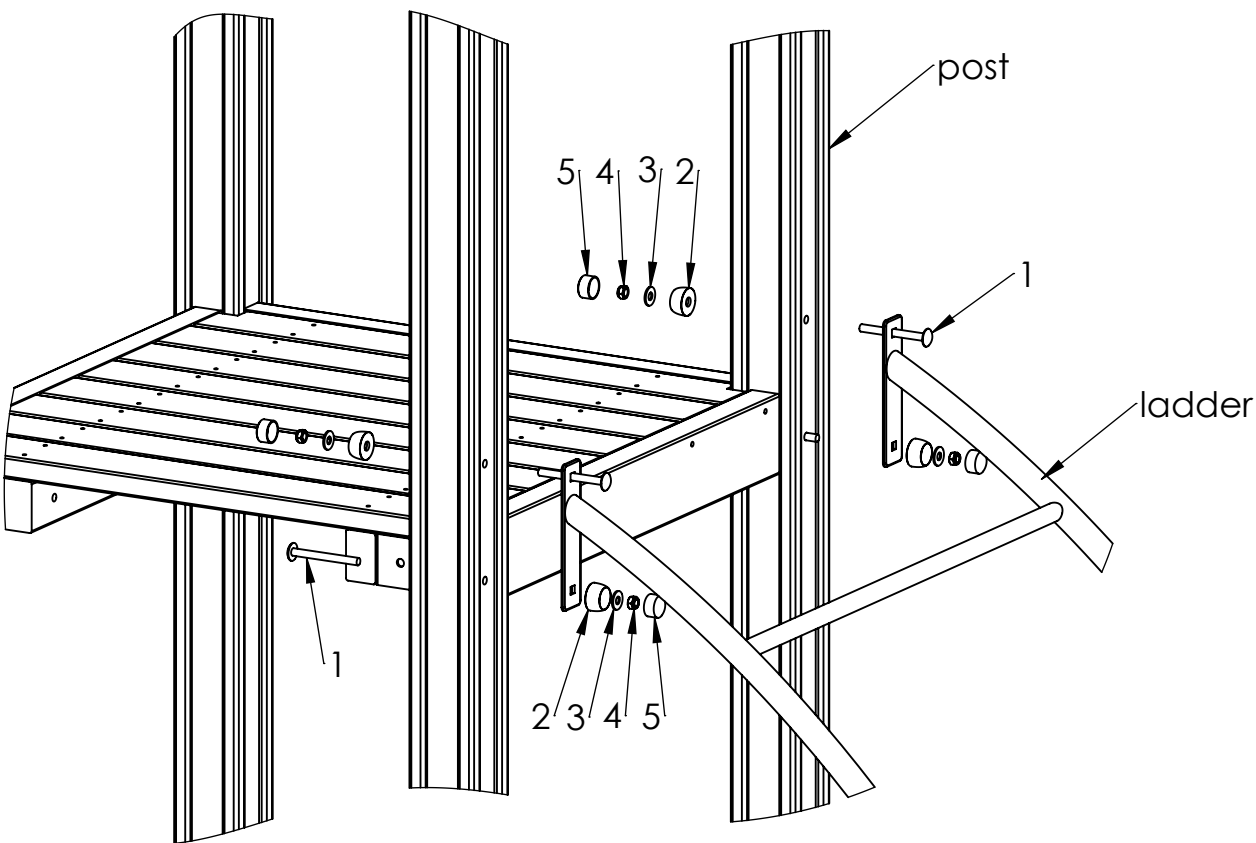
SCALE: 1:8

SHEET 15 OF 22



**Tiptiptap** OÜ

Tiptiptap OÜ  
Veetorni 9,  
Jüri alevik, Rae vald,  
75301 Harjumaa



ITEM NO.	PART NUMBER
1	bolt M10x100 DIN603
2	nut cover M12
3	washer M10 DIN7349
4	nut M10 DIN985
5	nut cover cap M12

UNLESS OTHERWISE SPECIFIED: DIMENSIONS ARE IN MILLIMETERS WEIGHT ARE IN KILOGRAMM				
	NAME	SIGNATURE	DATE	REVISION
DRAWN	M.Rebase		26.04.2017	
APPV'D				

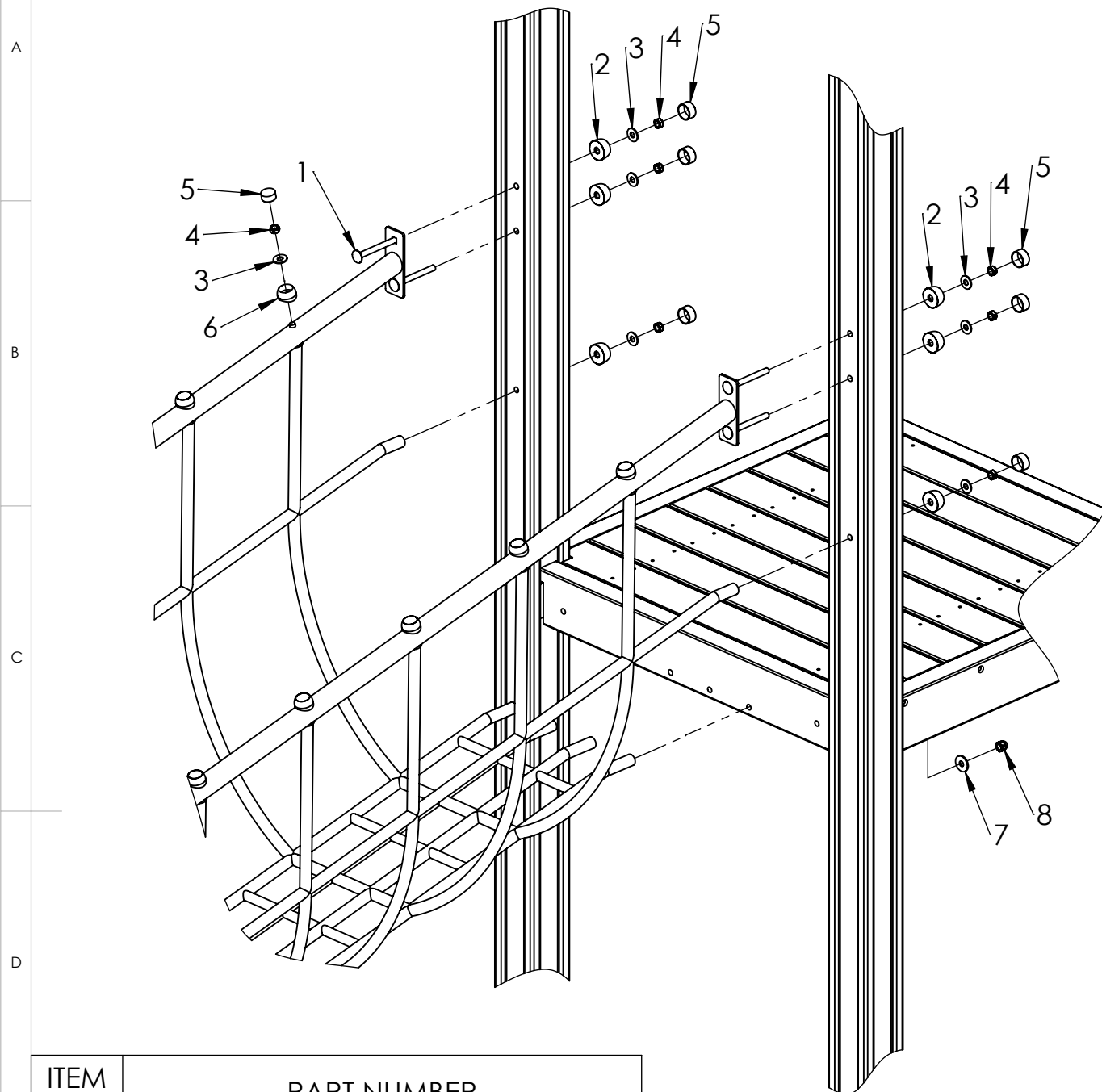
PART NUMBER / DWG NO.:	LM208-1
DESCRIPTION:	Play centre ALEXANDRA connecting arch ladder to post



**Tiptaptap** OÜ  
Veetorni 9,  
Jüri alevik, Rae vald,  
75301 Harjumaa

MATERIAL:	wood, metal, plastic	A4
WEIGHT:	SCALE: 1:10	SHEET 16 OF 22





ITEM NO.	PART NUMBER
1	bolt M10x100 DIN603
2	nut cover M12
3	washer M10 DIN7349
4	nut M10 DIN985
5	nut cover cap M12
6	nut cover M12 for beam
7	washer M10 DIN9021
8	domed cap nut M10 DIN986

UNLESS OTHERWISE SPECIFIED:  
DIMENSIONS ARE IN MILLIMETERS  
WEIGHT ARE IN KILOGRAMM

	NAME	SIGNATURE	DATE	REVISION
DRAWN	M.Rebase		26.04.2017	
APPV'D				

PART NUMBER / DWG NO.:

LM208-1

DESCRIPTION:

Play centre ALEXANDRA  
connecting bridge to post and platform

MATERIAL:

wood, metal, plastic

A4

WEIGHT:

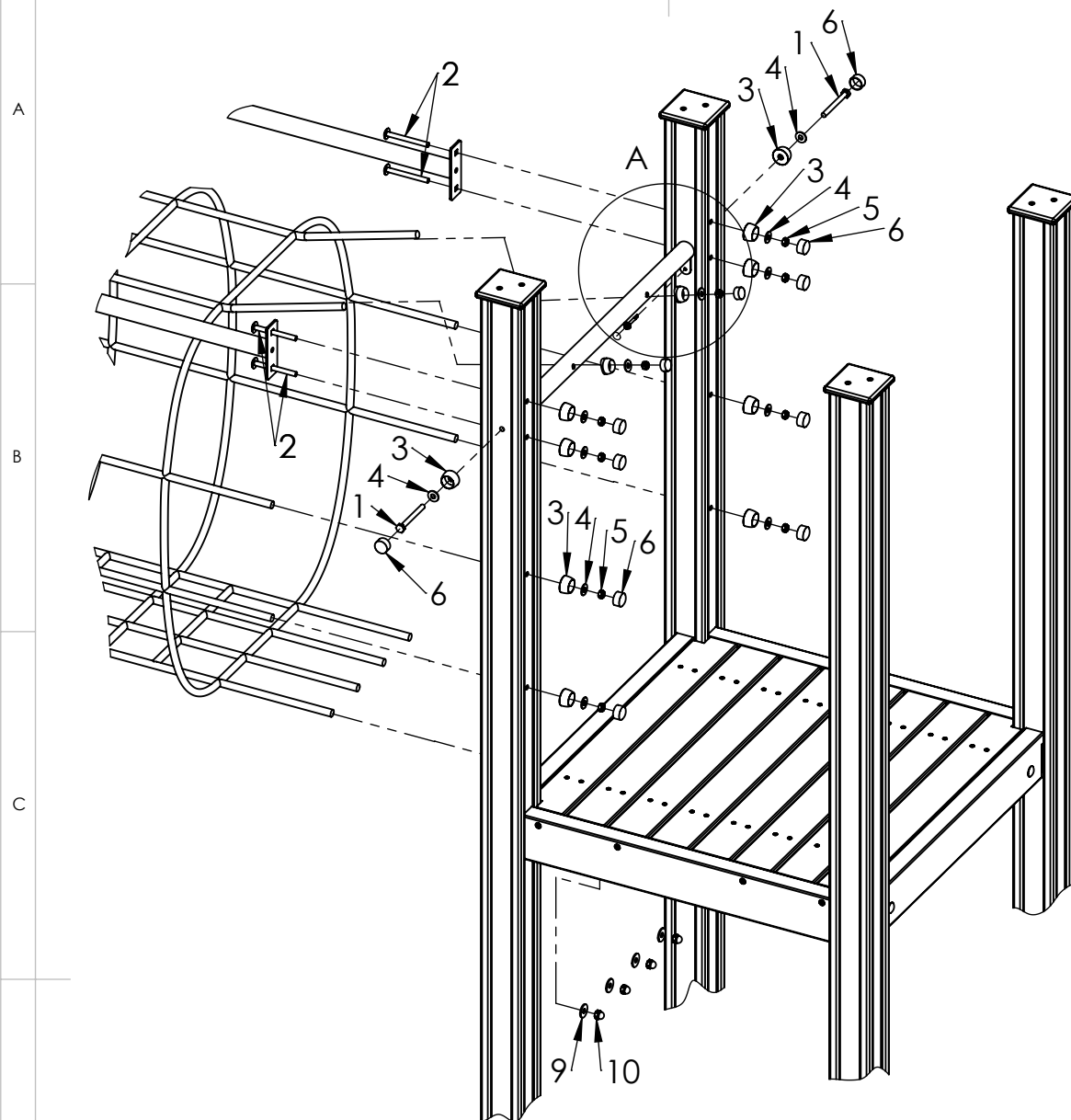
SCALE: 1:11

SHEET 17 OF 22

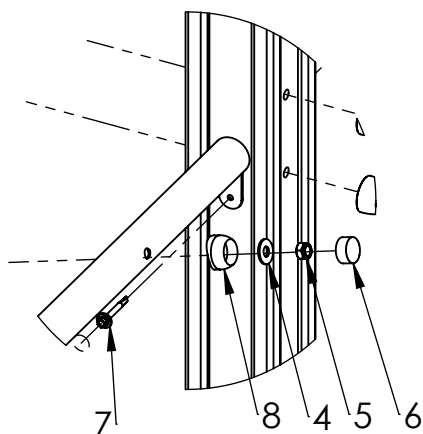


**Tiptiptap** OÜ

Tiptiptap OÜ  
Veetorni 9,  
Jüri alevik, Rae vald,  
75301 Harjumaa



DETAIL A  
SCALE 2 : 15



ITEM NO.	PART NUMBER
1	bolt M10x100 DIN931
2	bolt M10x100 DIN603
3	nut cover M12
4	washer M10 DIN7349
5	nut M10 DIN985
6	nut cover cap M12
7	screw 5,0x40
8	nut cover M12 for beam
9	washer M10 DIN9021
10	domed cap nut M10 DIN986

UNLESS OTHERWISE SPECIFIED:  
DIMENSIONS ARE IN MILLIMETERS  
WEIGHT ARE IN KILOGRAMM

PART NUMBER / DWG NO.:

LM208-1

	NAME	SIGNATURE	DATE	REVISION
DRAWN	M.Rebase		26.04.2017	
APPV'D				

DESCRIPTION:

Play centre ALEXANDRA  
connecting rope tunnel to post and platform

MATERIAL:

wood, metal, plastic

A4

WEIGHT:

SCALE: 1:15

SHEET 18 OF 22



**Tiptaptap** OÜ

Tiptaptap OÜ  
Veetorni 9,  
Jüri alevik, Rae vald,  
75301 Harjumaa

A

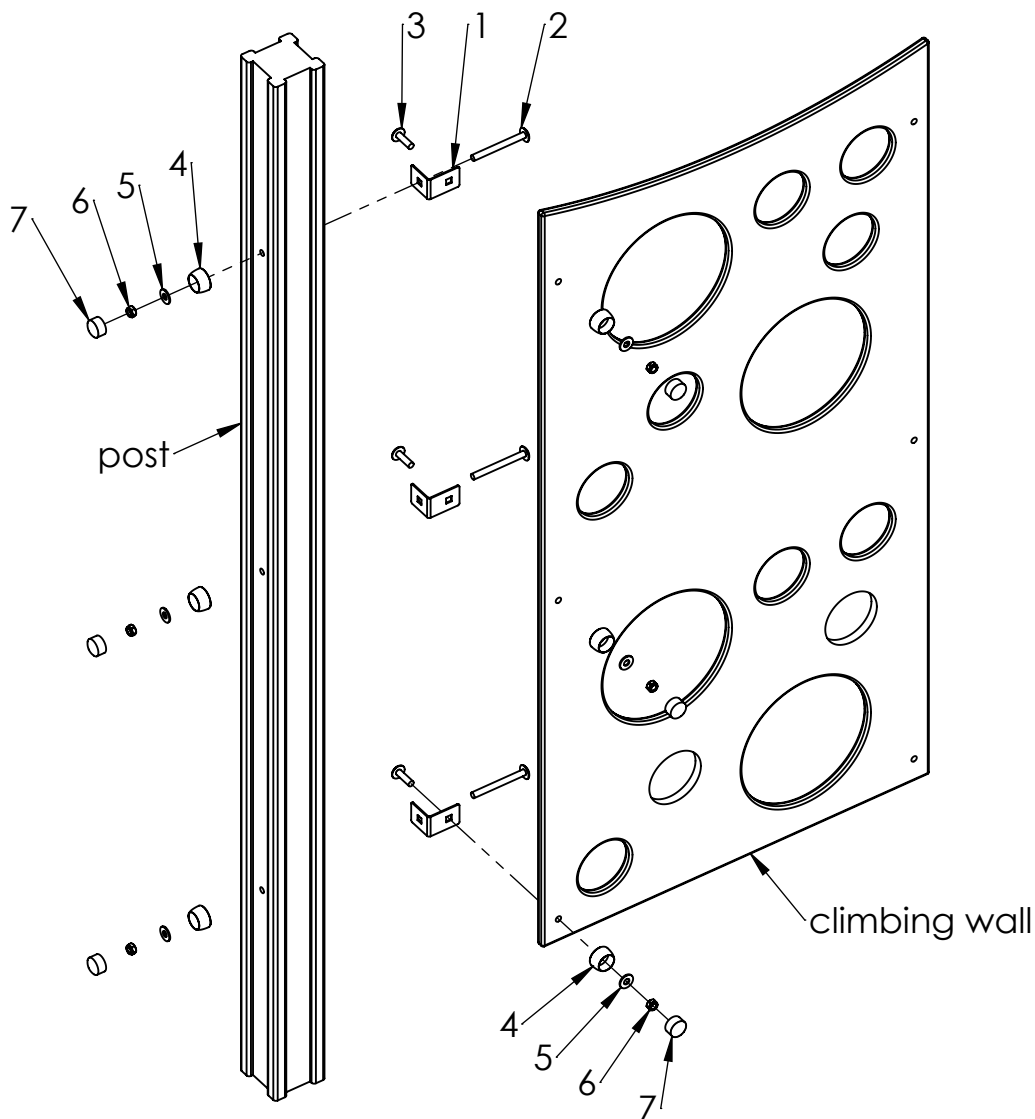
B

C

D

E

F



ITEM NO.	PART NUMBER
1	corner 48x60
2	bolt M10x100 DIN603
3	bolt M10x35 DIN603
4	nut cover M12
5	washer M10 DIN7349
6	nut M10 DIN985
7	nut cover cap M12

UNLESS OTHERWISE SPECIFIED:  
DIMENSIONS ARE IN MILLIMETERS  
WEIGHT ARE IN KILOGRAMM

PART NUMBER / DWG NO.:

LM208-1

	NAME	SIGNATURE	DATE	REVISION
DRAWN	M.Rebase		26.04.2017	
APPV'D				

DESCRIPTION:

Play centre ALEXANDRA  
connecting climbing wall to post

MATERIAL:

wood, metal, plastic

A4

WEIGHT:

SCALE: 1:12

SHEET 19 OF 22



**Tiptaptap** OÜ

Tiptaptap OÜ  
Veetorni 9,  
Jüri alevik, Rae vald,  
75301 Harjumaa

A

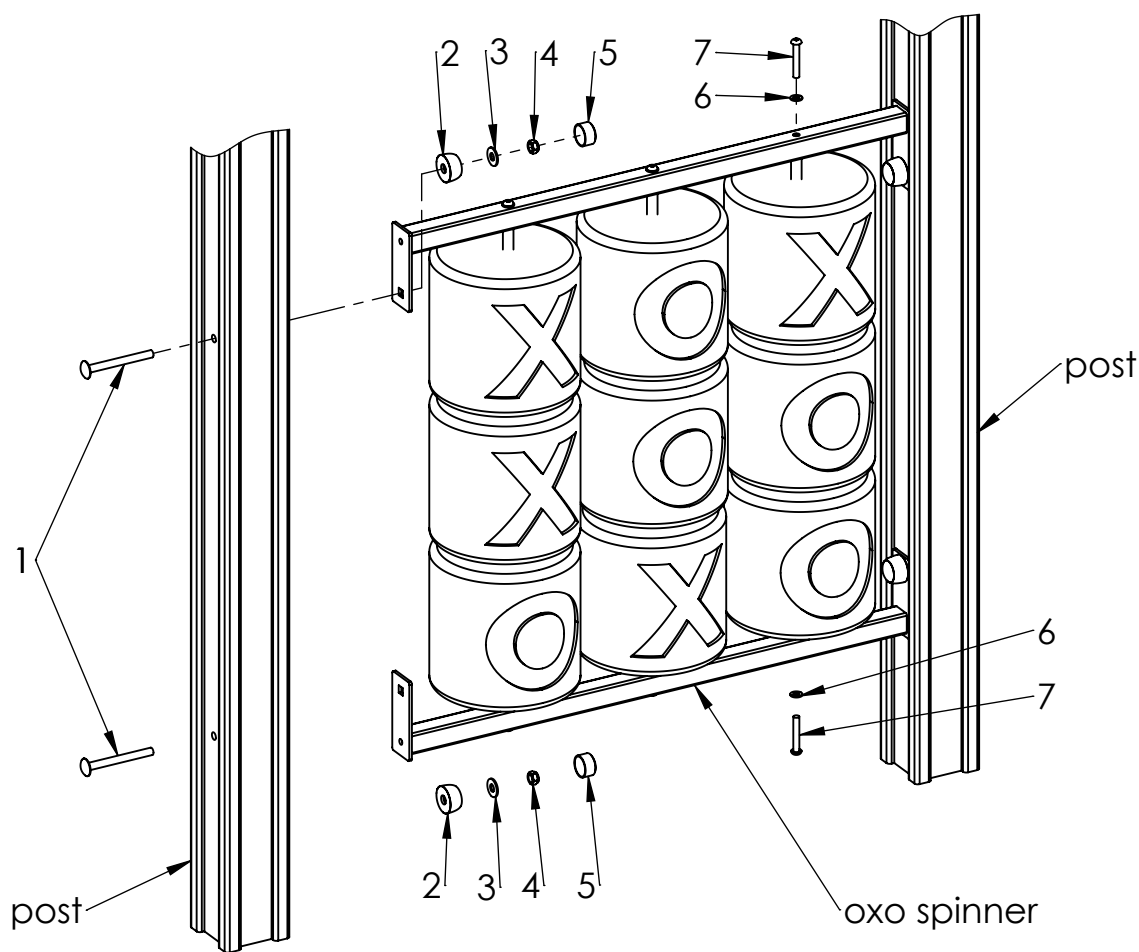
B

C

D

E

F



ITEM NO.	PART NUMBER
1	bolt M10x100 DIN603
2	nut cover M12
3	washer M10 DIN7349
4	nut M10 DIN985
5	nut cover cap M12
6	washer M8 DIN125
7	metal screw M8x50 DIN 7380

UNLESS OTHERWISE SPECIFIED:  
DIMENSIONS ARE IN MILLIMETERS  
WEIGHT ARE IN KILOGRAMM

PART NUMBER / DWG NO.:

LM208-1

	NAME	SIGNATURE	DATE	REVISION
DRAWN	M.Rebase		26.04.2017	
APPV'D				

DESCRIPTION:

Play centre ALEXANDRA  
connecting oxo spinner to post

MATERIAL:

wood, metal, plastic

A4

WEIGHT:

SCALE: 1:10

SHEET 20 OF 22



**Tiptaptap** OÜ

Tiptaptap OÜ  
Veetorni 9,  
Jüri alevik, Rae vald,  
75301 Harjumaa

A

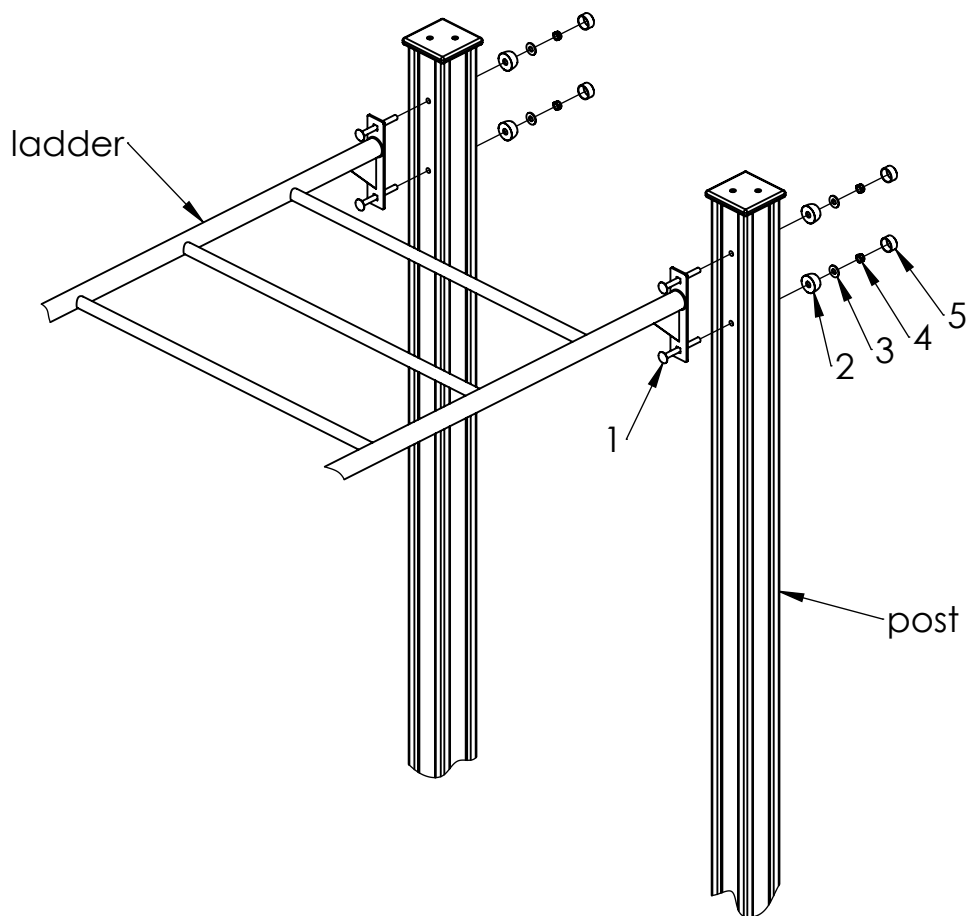
B

C

D

E

F



ITEM NO.	PART NUMBER
1	bolt M10x100 DIN603
2	nut cover M12
3	washer M10 DIN7349
4	nut M10 DIN985
5	nut cover cap M12

UNLESS OTHERWISE SPECIFIED:  
DIMENSIONS ARE IN MILLIMETERS  
WEIGHT ARE IN KILOGRAMM

PART NUMBER / DWG NO.:

LM208-1

	NAME	SIGNATURE	DATE	REVISION
DRAWN	M.Rebase		26.04.2017	
APPV'D				

DESCRIPTION:

Play centre ALEXANDRA  
connecting ladder to post

MATERIAL:

wood, metal, plastic

A4

WEIGHT:

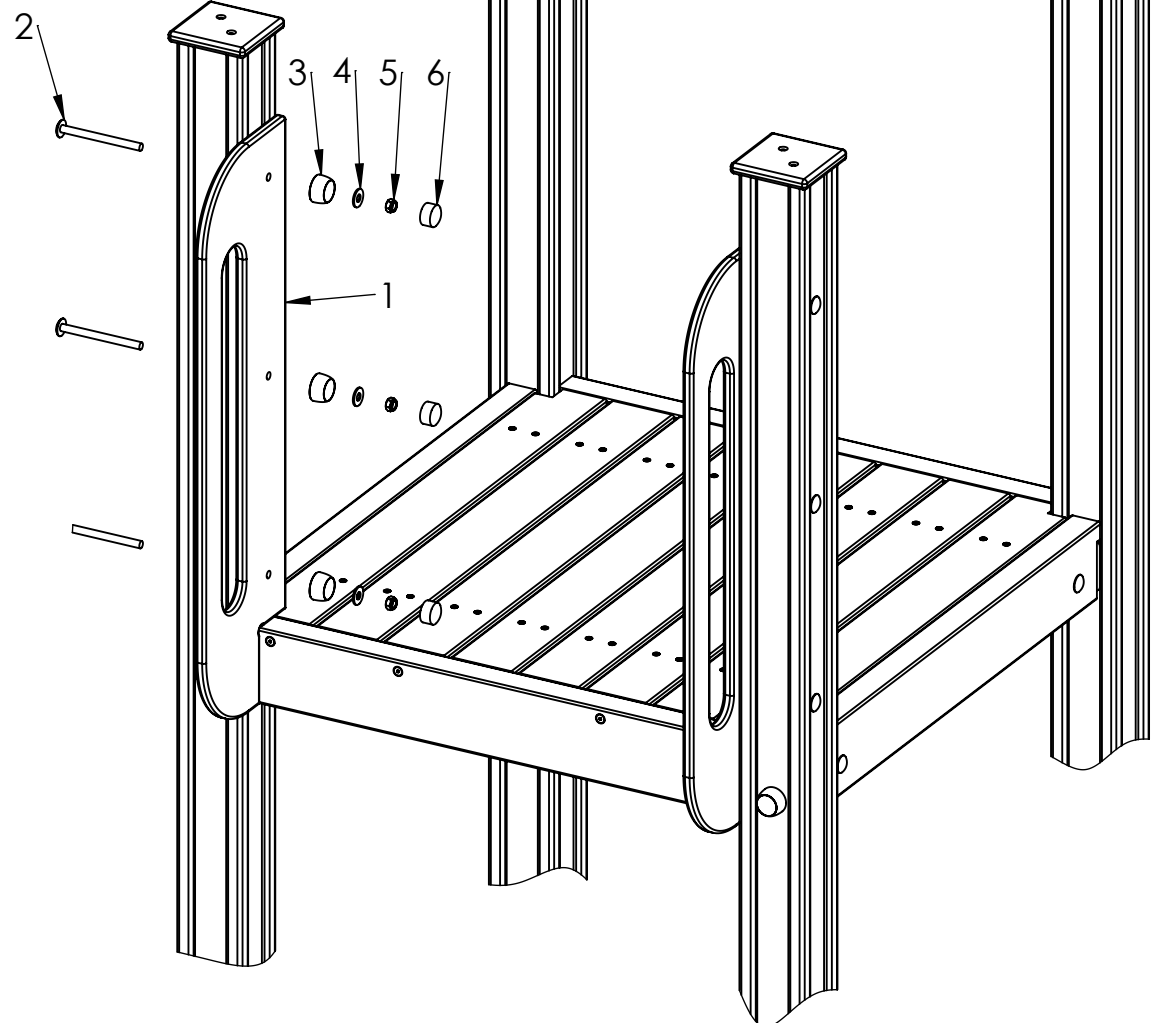
SCALE: 1:15

SHEET 21 OF 22



**Tiptaptap** OÜ

Tiptaptap OÜ  
Veetorni 9,  
Jüri alevik, Rae vald,  
75301 Harjumaa



ITEM NO.	PART NUMBER
1	handle
2	bolt M10x120 DIN603
3	nut cover M12
4	washer M10 DIN7349
5	nut M10 DIN985
6	nut cover cap M12

UNLESS OTHERWISE SPECIFIED: DIMENSIONS ARE IN MILLIMETERS WEIGHT ARE IN KILOGRAMM				
	NAME	SIGNATURE	DATE	REVISION
DRAWN	M.Rebase		26.04.2017	
APPV'D				

PART NUMBER / DWG NO.:		LM208-1	
DESCRIPTION:			
Play centre ALEXANDRA connecting handle to post			
MATERIAL:		wood, metal, plastic	A4
WEIGHT:		SCALE: 1:10	SHEET 22 OF 22



**Tiptaptap** OÜ  
 Veetorni 9,  
 Jüri alevik, Rae vald,  
 75301 Harjumaa