

A

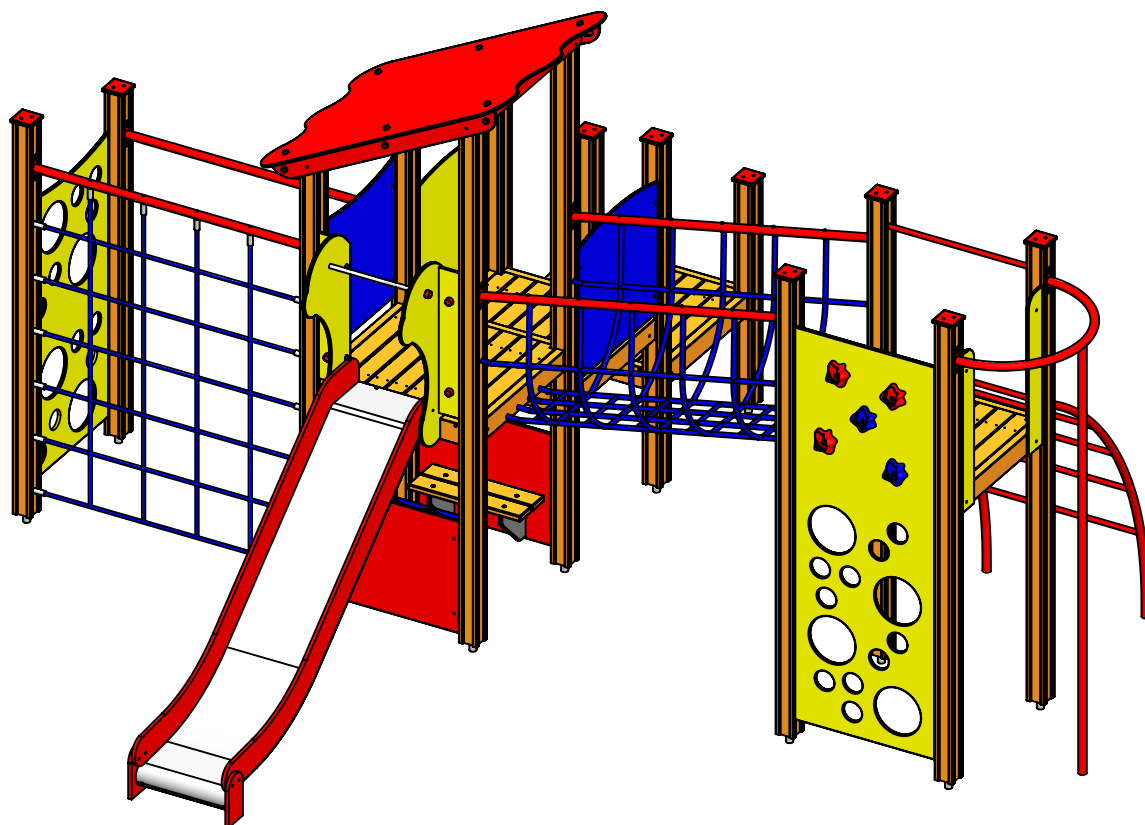
B

C

D

E

F



UNLESS OTHERWISE SPECIFIED:
DIMENSIONS ARE IN MILLIMETERS
WEIGHT ARE IN KILOGRAMM

PART NUMBER / DWG NO.:

LM205

	NAME	SIGNATURE	DATE	REVISION
DRAWN	M.Rebase		13.07.2018	
APPV'D				

DESCRIPTION:

Play Centre REBECCA



Tiptaptap OÜ

Tiptaptap OÜ
Veetorni 9,
Jüri alevik, Rae vald,
75301 Harjumaa

MATERIAL:

wood, metal, plastic

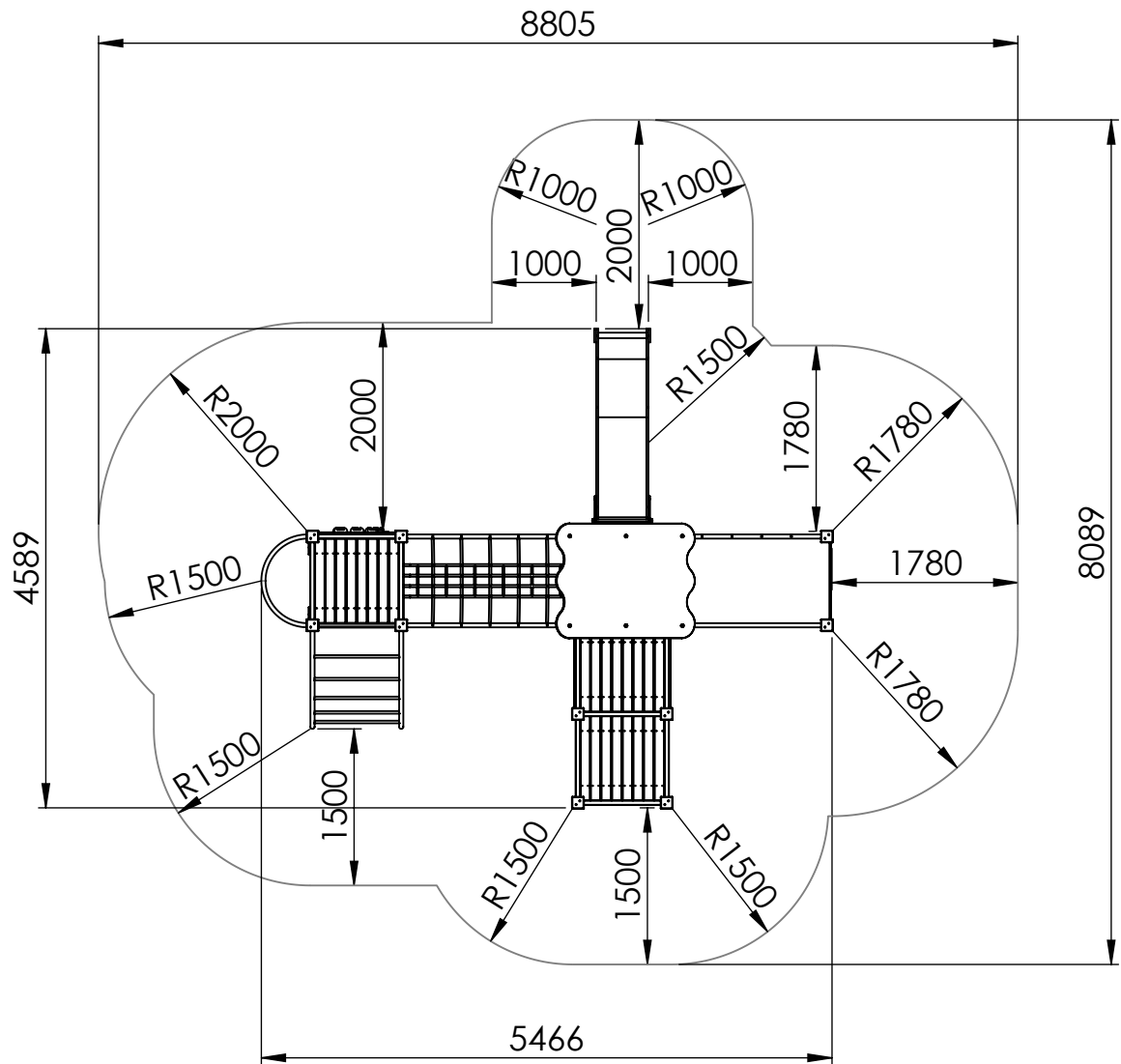
A4

WEIGHT:

SCALE: 1:35

SHEET 1 OF 21

safety area



UNLESS OTHERWISE SPECIFIED:
DIMENSIONS ARE IN MILLIMETERS
WEIGHT ARE IN KILOGRAMM

PART NUMBER / DWG NO.:

LM205

	NAME	SIGNATURE	DATE	REVISION
DRAWN	M.Rebase		13.07.2018	
APPV'D				

DESCRIPTION:

Play Centre REBECCA



Tiptaptap OÜ

Tiptaptap OÜ
Veetorni 9,
Jüri alevik, Rae vald,
75301 Harjumaa

MATERIAL:

wood, metal, plastic

A4

WEIGHT:

SCALE: 1:70

SHEET 2 OF 21

foundation

A

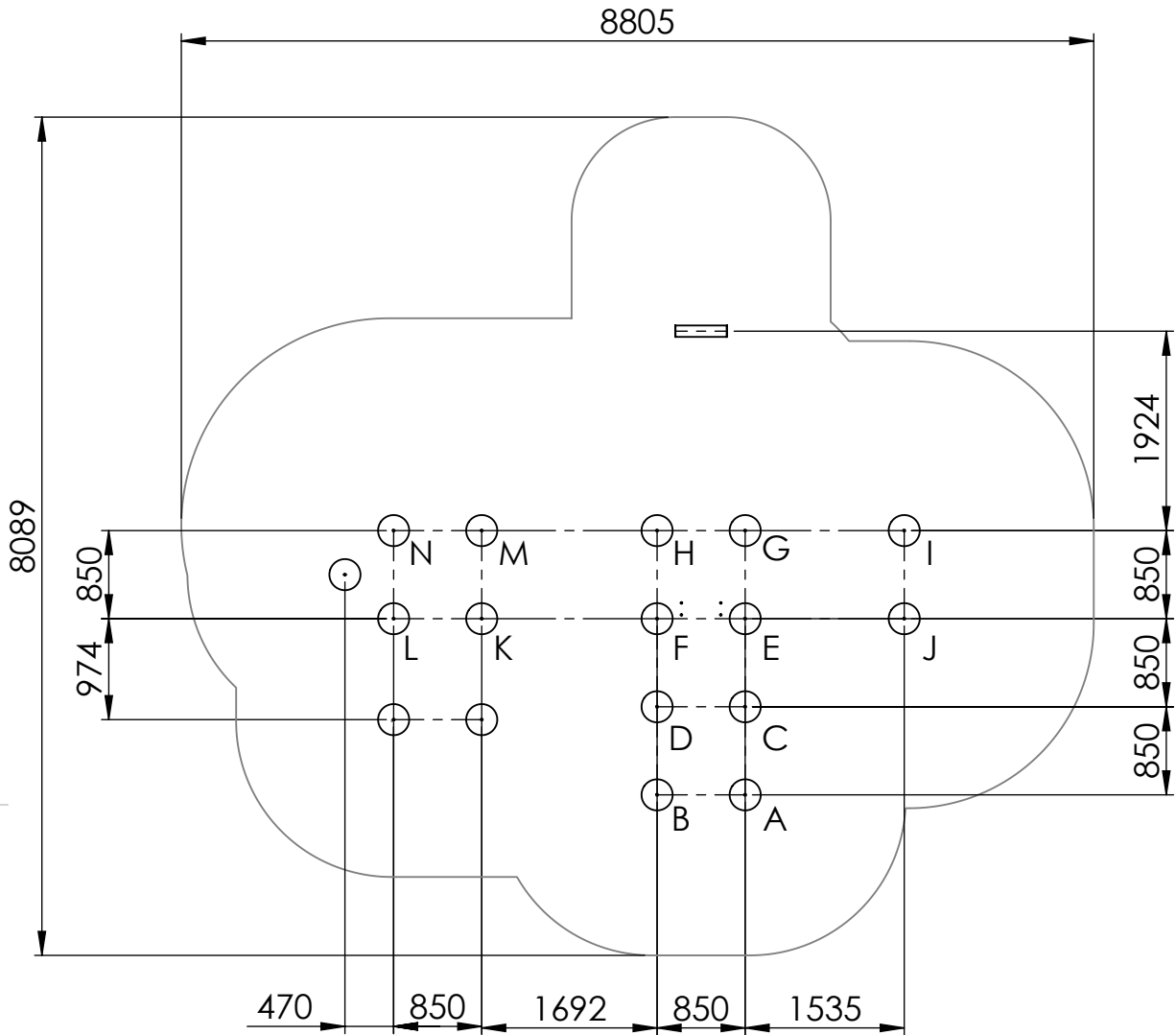
B

C

D

E

F



depth of foundation 600mm

UNLESS OTHERWISE SPECIFIED:
DIMENSIONS ARE IN MILLIMETERS
WEIGHT ARE IN KILOGRAMM

PART NUMBER / DWG NO.:

LM205

	NAME	SIGNATURE	DATE	REVISION
DRAWN	M.Rebase		13.07.2018	
APPV'D				

DESCRIPTION:

Play Centre REBECCA



Tiptiptap OÜ

Tiptiptap OÜ
Veetorni 9,
Jüri alevik, Rae vald,
75301 Harjumaa

MATERIAL:

wood, metal, plastic

A4

WEIGHT:

SCALE: 1:70

SHEET 3 OF 21

A

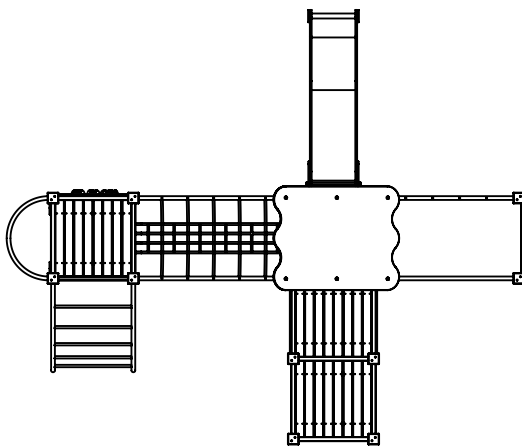
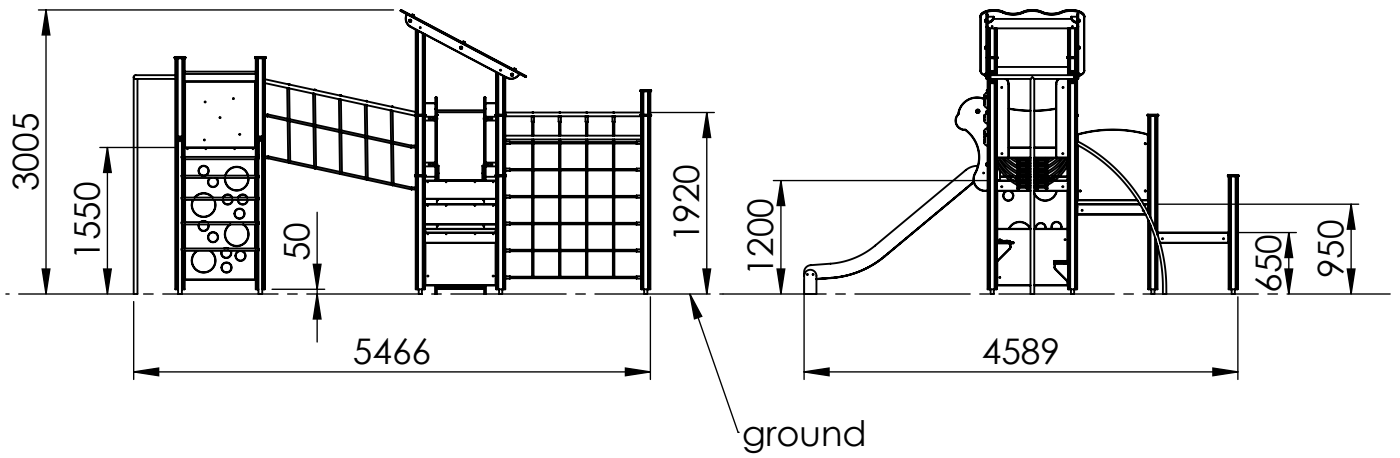
B

C

D

E

F



UNLESS OTHERWISE SPECIFIED:
DIMENSIONS ARE IN MILLIMETERS
WEIGHT ARE IN KILOGRAMM

PART NUMBER / DWG NO.:

LM205

	NAME	SIGNATURE	DATE	REVISION
DRAWN	M.Rebase		13.07.2018	
APPV'D				

DESCRIPTION:

Play Centre REBECCA

MATERIAL:

wood, metal, plastic

A4

WEIGHT:

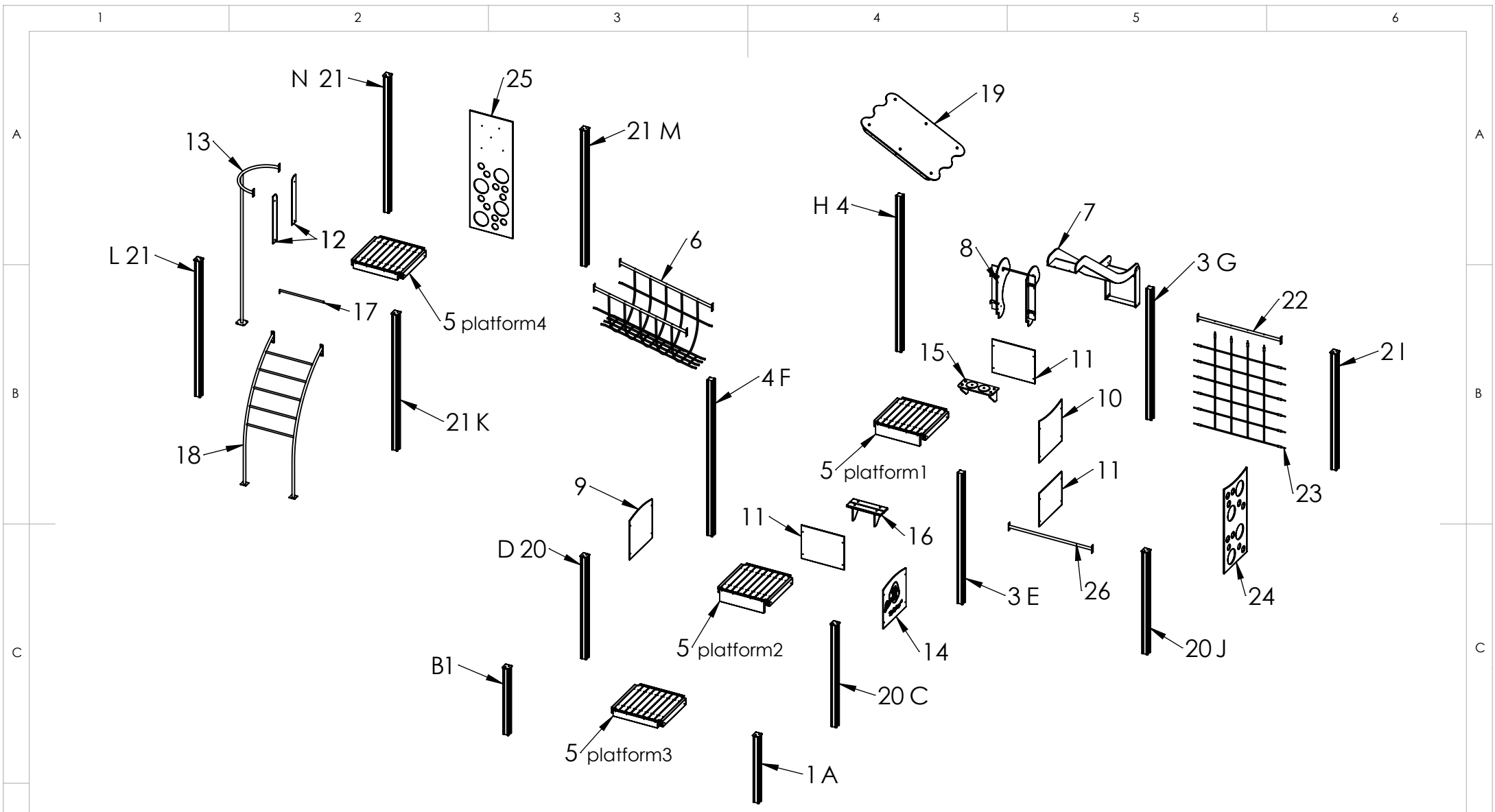
SCALE: 1:80


SHEET 4 OF 21



Tiptaptap OÜ


Tiptaptap OÜ
Veetorni 9,
Jüri alevik, Rae vald,
75301 Harjumaa



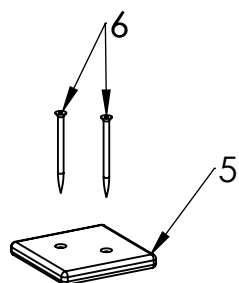
UNLESS OTHERWISE SPECIFIED: DIMENSIONS ARE IN MILLIMETERS WEIGHT ARE IN KILOGRAMM					PART NUMBER / DWG NO.: LM205	
	NAME	SIGNATURE	DATE	REVISION	DESCRIPTION: Play Centre REBECCA	
DRAWN	M.Rebase		13.07.2018		MATERIAL: wood, metal, plastic	
APPV'D					A4	
 Tiptap OÜ Tiptap OÜ Veetorni 9, Jüri alevik, Rae vald, 75301 Harjumaa					WEIGHT:	
					SCALE: 1:80	
					SHEET 5 OF 21	

ITEM NO.	PART NUMBER	DESCRIPTION	QTY.
A 1	post 98x98x1200	laminated wood	2
2	post 98x98x2100	laminated wood	1
3	post 98x98x2350	laminated wood	2
4	post 98x98x2800	laminated wood	2
5	platform	laminated wood, metal	4
6	inclined rope bridge	PP covered steel wire	1
7	slide h_1200	stainless steel, HDPE plastic	1
B 8	slide guard block	plywood, metal, plastic	1
9	panel 750x750	plywood	1
10	panel 750x750	plywood	1
11	panel 750x600	plywood	3
12	panel 850x126	plywood	2
13	climbing pole	painted steel	1
14	panel 750x750 with logo	plywood	1
15	playcorner-kitchen	plywood, plastic	1
C 16	playcorner-bench	laminated wood, plastic	1
17	guardrail ϕ 25x770	painted steel	1
18	arch ladder	galvanized painted steel	1
19	roof inclined	plywood	1
20	post 98x98x1840	laminated wood	3
21	post 98x98x2450	laminated wood	4
22	beam ϕ 40x1455 for net-4 holes	painted steel	1
D 23	climbing net 1455x1715	PP covered steel wire	1
24	climbing wall 750x1520	HDPE plastic	1
25	climbing wall 750x2100	plywood	1
26	beam ϕ 40x1455	painted steel	1

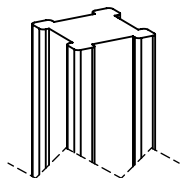
E				
---	--	--	--	--

UNLESS OTHERWISE SPECIFIED: DIMENSIONS ARE IN MILLIMETERS WEIGHT ARE IN KILOGRAMM				PART NUMBER / DWG NO.: LM205	
	NAME	SIGNATURE	DATE	REVISION	
DRAWN	M.Rebase		13.07.2018		
APPV'D					
F	 Tiptiptap OÜ Veetorni 9, Jüri alevik, Rae vald, 75301 Harjumaa			DESCRIPTION: Play Centre REBECCA	
				MATERIAL:	wood, metal, plastic
				WEIGHT:	A4
				SCALE:	1:100
				SHEET 6 OF 21	

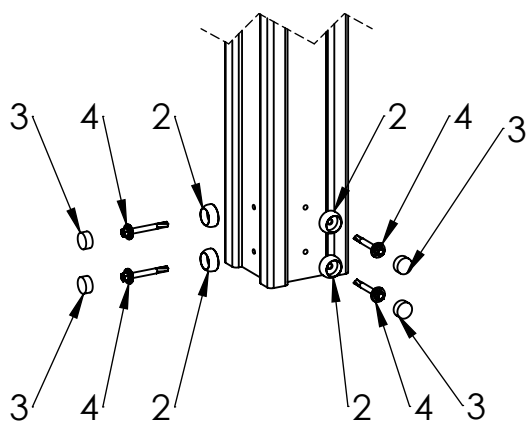
A



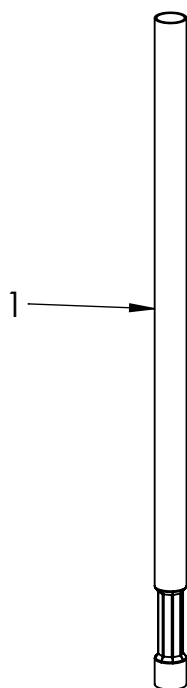
B



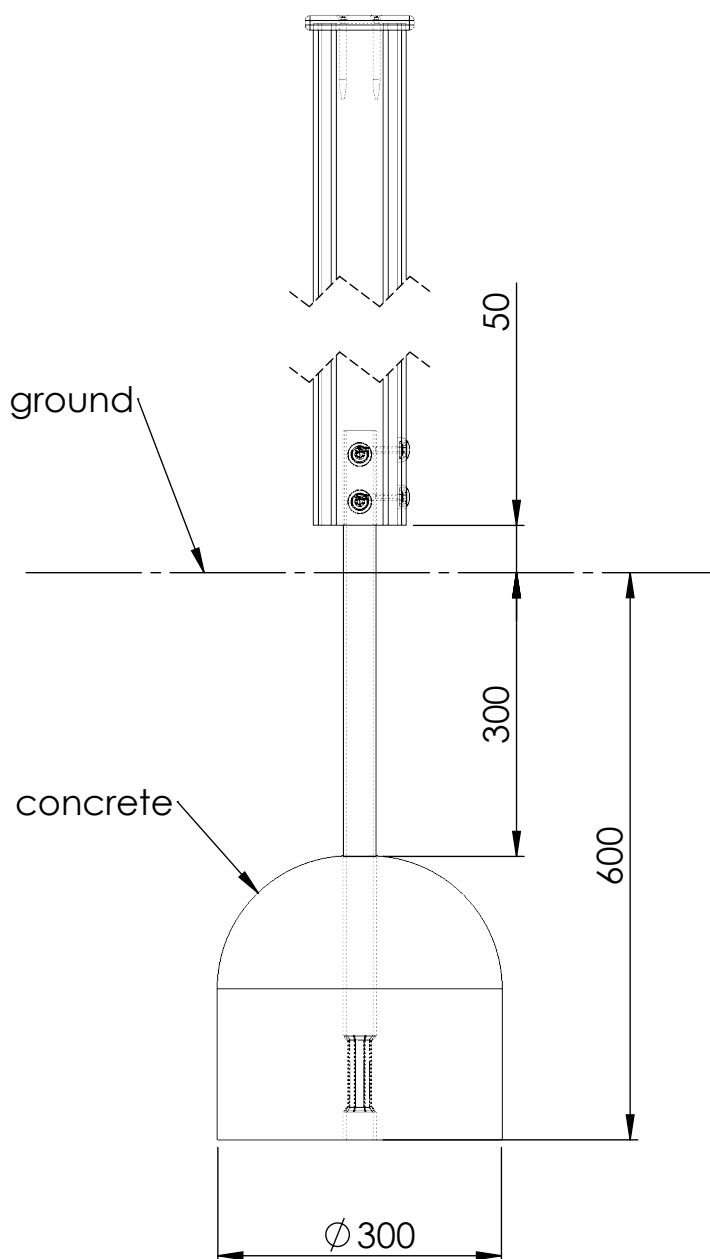
C



D



E



ITEM NO.	PART NUMBER
1	metal ground fixing L_750
2	nut cover M6
3	nut cover cap M6
4	screw 5,5x50 DIN7504K
5	plastic cap 115x115
6	wood screw 6 x 90

UNLESS OTHERWISE SPECIFIED:
DIMENSIONS ARE IN MILLIMETERS
WEIGHT ARE IN KILOGRAMM

PART NUMBER / DWG NO.:

LM205

	NAME	SIGNATURE	DATE	REVISION
DRAWN	M.Rebase		13.07.2018	
APPV'D				

DESCRIPTION:

Play Centre REBECCA
connecting metal ground fixing to post

MATERIAL:

wood, metal, plastic

A4

WEIGHT:

SCALE: 1:8

SHEET 7 OF 21



Tiptiptap OÜ

Tiptiptap OÜ
Veetorni 9,
Jüri alevik, Rae vald,
75301 Harjumaa

A

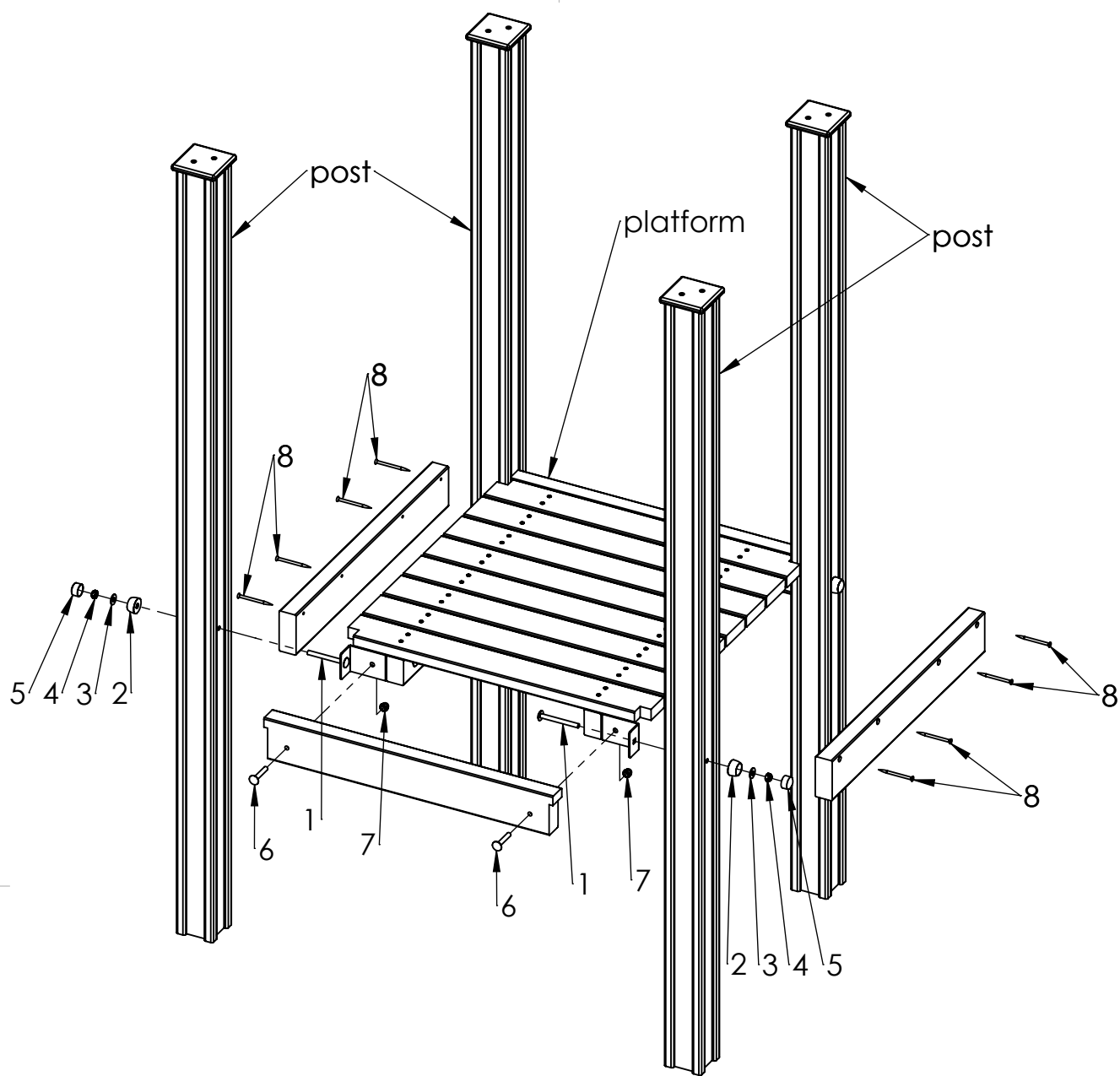
B

C

D

E

F



ITEM NO.	PART NUMBER
1	bolt M10x100 DIN603
2	nut cover M12
3	washer M10 DIN9054
4	nut M10 DIN985
5	nut cover cap M12
6	bolt M10x60 DIN603
7	domed cap nut M10 DIN986
8	wood screw 6 x 90

UNLESS OTHERWISE SPECIFIED:
DIMENSIONS ARE IN MILLIMETERS
WEIGHT ARE IN KILOGRAMM

PART NUMBER / DWG NO.:

LM205

	NAME	SIGNATURE	DATE	REVISION
DRAWN	M.Rebase		13.07.2018	
APPV'D				

DESCRIPTION:

Play Centre REBECCA
connecting platform to post

MATERIAL:

wood, metal, plastic

A4

WEIGHT:

SCALE: 1:15

SHEET 8 OF 21



Tiptaptap OÜ

Tiptaptap OÜ
Veetorni 9,
Jüri alevik, Rae vald,
75301 Harjumaa

A

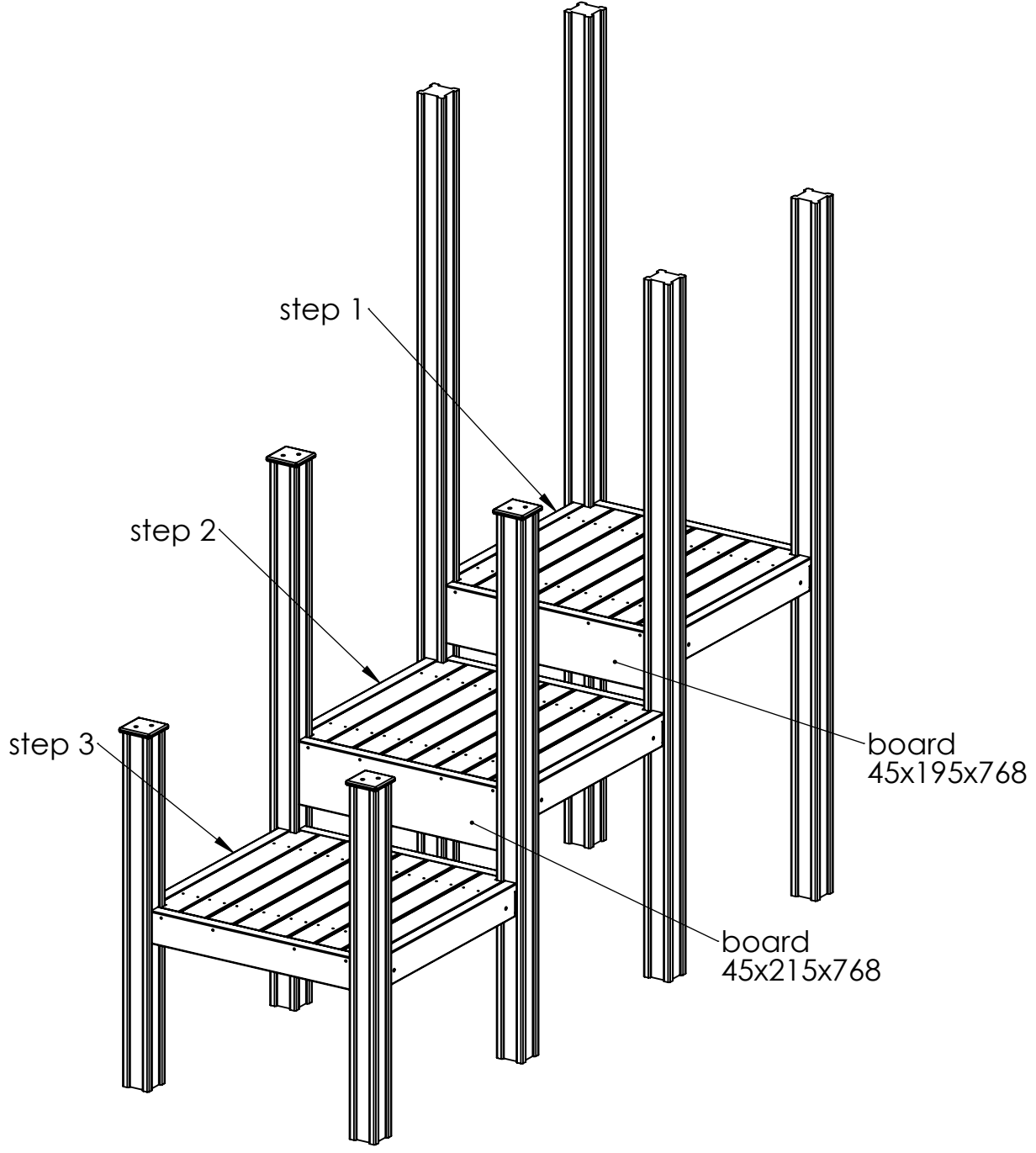
B

C

D

E

F



UNLESS OTHERWISE SPECIFIED:
DIMENSIONS ARE IN MILLIMETERS
WEIGHT ARE IN KILOGRAMM

	NAME	SIGNATURE	DATE	REVISION
DRAWN	M.Rebase		13.07.2018	
APPV'D				

PART NUMBER / DWG NO.:	LM205
DESCRIPTION:	Play Centre REBECCA



Tiptaptap OÜ
Veetorni 9,
Jüri alevik, Rae vald,
75301 Harjumaa

MATERIAL:	wood, metal, plastic	A4
WEIGHT:	SCALE: 1:20	SHEET 9 OF 21

A

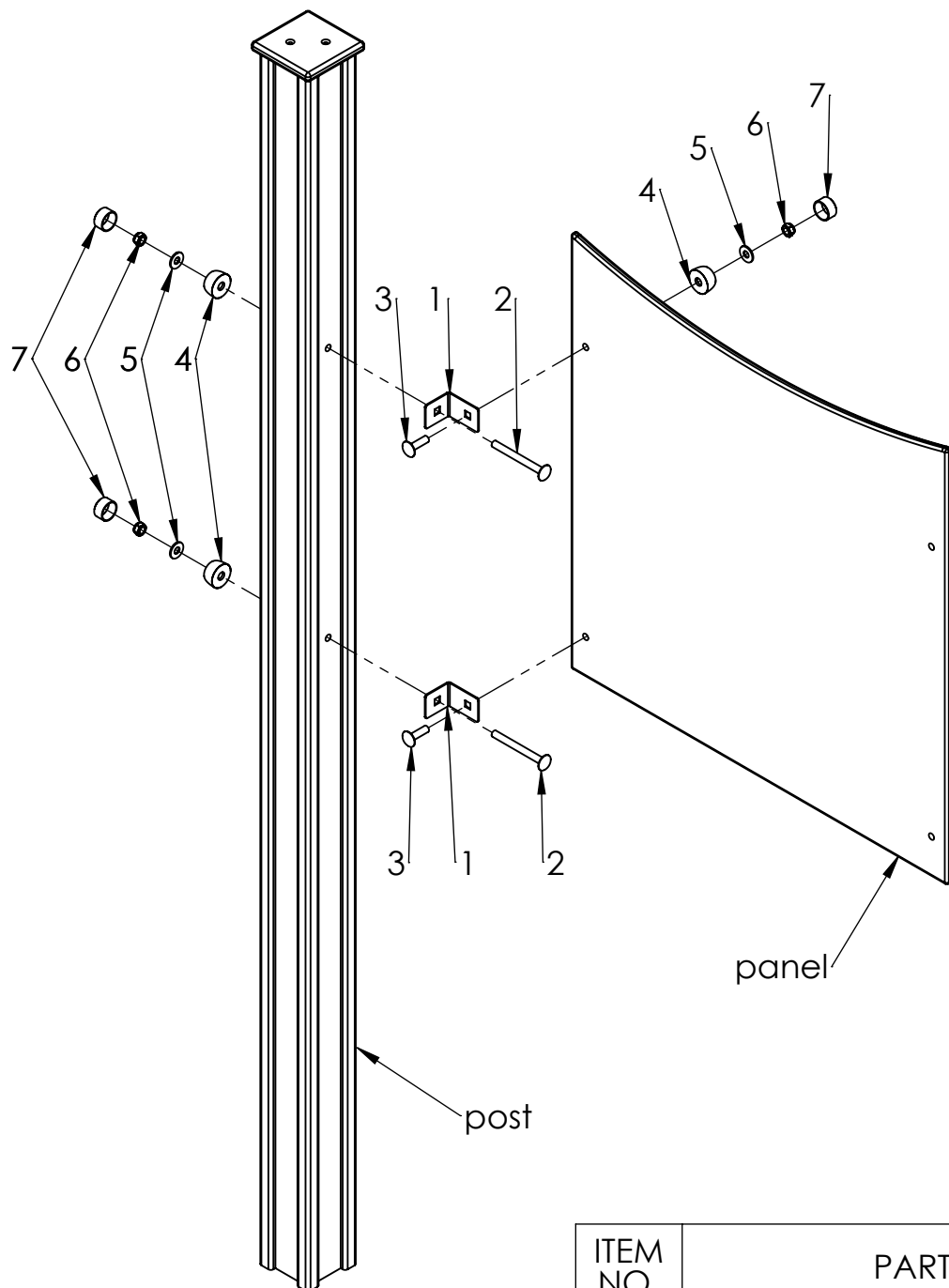
B

C

D

E

F



ITEM NO.	PART NUMBER
1	corner 48x60
2	bolt M10x100 DIN603
3	bolt M10x35 DIN603
4	nut cover M12
5	washer M10 DIN9054
6	nut M10 DIN985
7	nut cover cap M12

UNLESS OTHERWISE SPECIFIED:
DIMENSIONS ARE IN MILLIMETERS
WEIGHT ARE IN KILOGRAMM

PART NUMBER / DWG NO.:

LM205

	NAME	SIGNATURE	DATE	REVISION
DRAWN	M.Rebase		13.07.2018	
APPV'D				

DESCRIPTION:

Play Centre REBECCA
connecting panel to post

MATERIAL:

wood, metal, plastic

A4

WEIGHT:

SCALE: 1:10

SHEET 10 OF 21



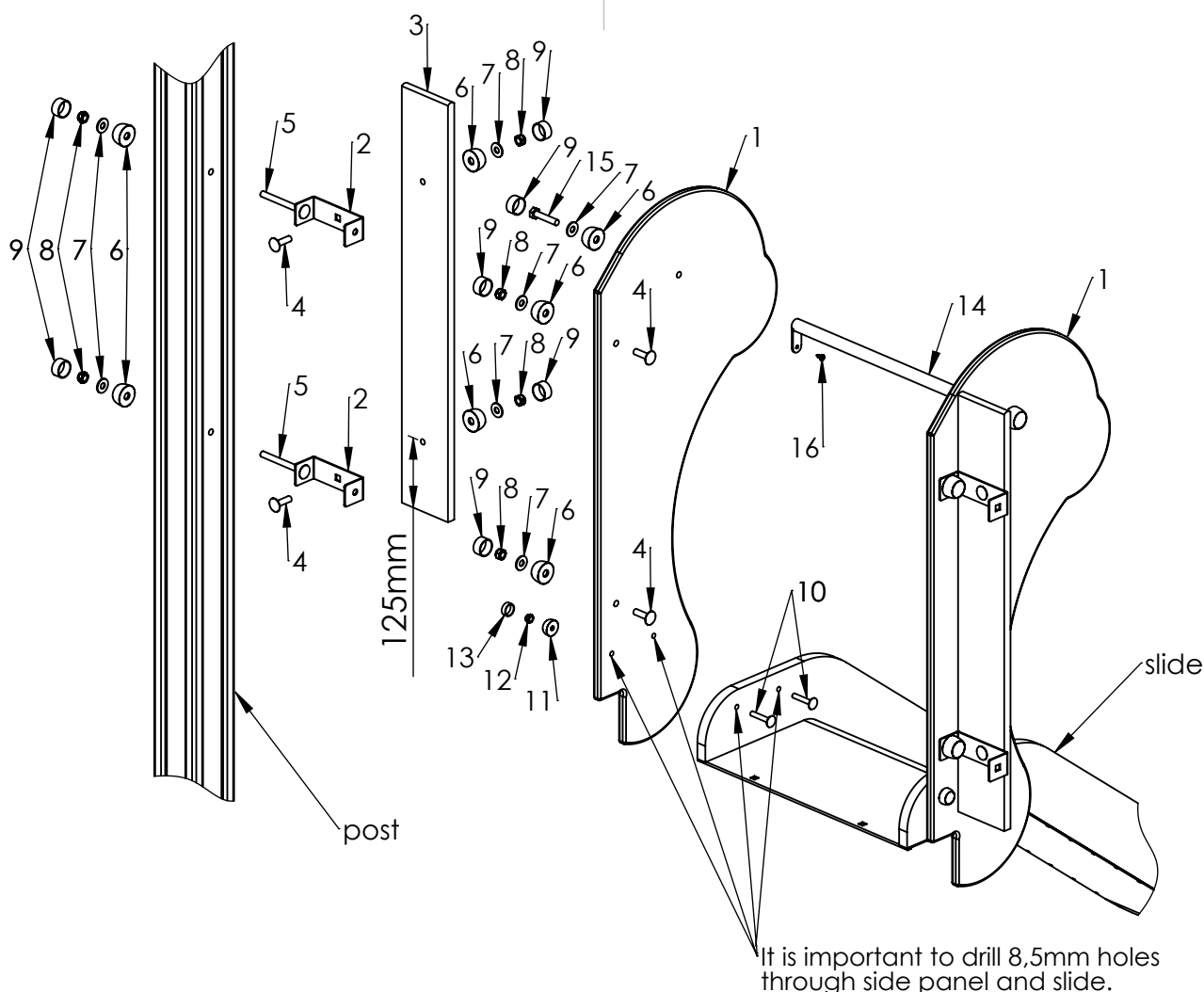
Tiptap OÜ

Tiptap OÜ
Veetorni 9,
Jüri alevik, Rae vald,
75301 Harjumaa

A

B

C



It is important to drill 8,5mm holes through side panel and slide.

D

E

ITEM NO.	PART NUMBER
1	slide side panel
2	slide side panel fixing 40x120
3	side panel 110x780
4	bolt M10x35 DIN603
5	bolt M10x100 DIN603
6	nut cover M12
7	washer M10 DIN9054
8	nut M10 DIN985
9	nut cover cap M12
10	bolt M8x45 DIN603
11	nut cover M8
12	nut M8 DIN985
13	nut cover cap M8
14	slide guardrail
15	bolt M10x50 DIN931
16	wood screw 4,8x13

UNLESS OTHERWISE SPECIFIED:
DIMENSIONS ARE IN MILLIMETERS
WEIGHT ARE IN KILOGRAMM

PART NUMBER / DWG NO.:

LM205

	NAME	SIGNATURE	DATE	REVISION
DRAWN	M.Rebase		13.07.2018	
APPV'D				

DESCRIPTION:

Play Centre REBECCA
connecting slide guard block to post

MATERIAL:

wood, metal, plastic

A4

WEIGHT:

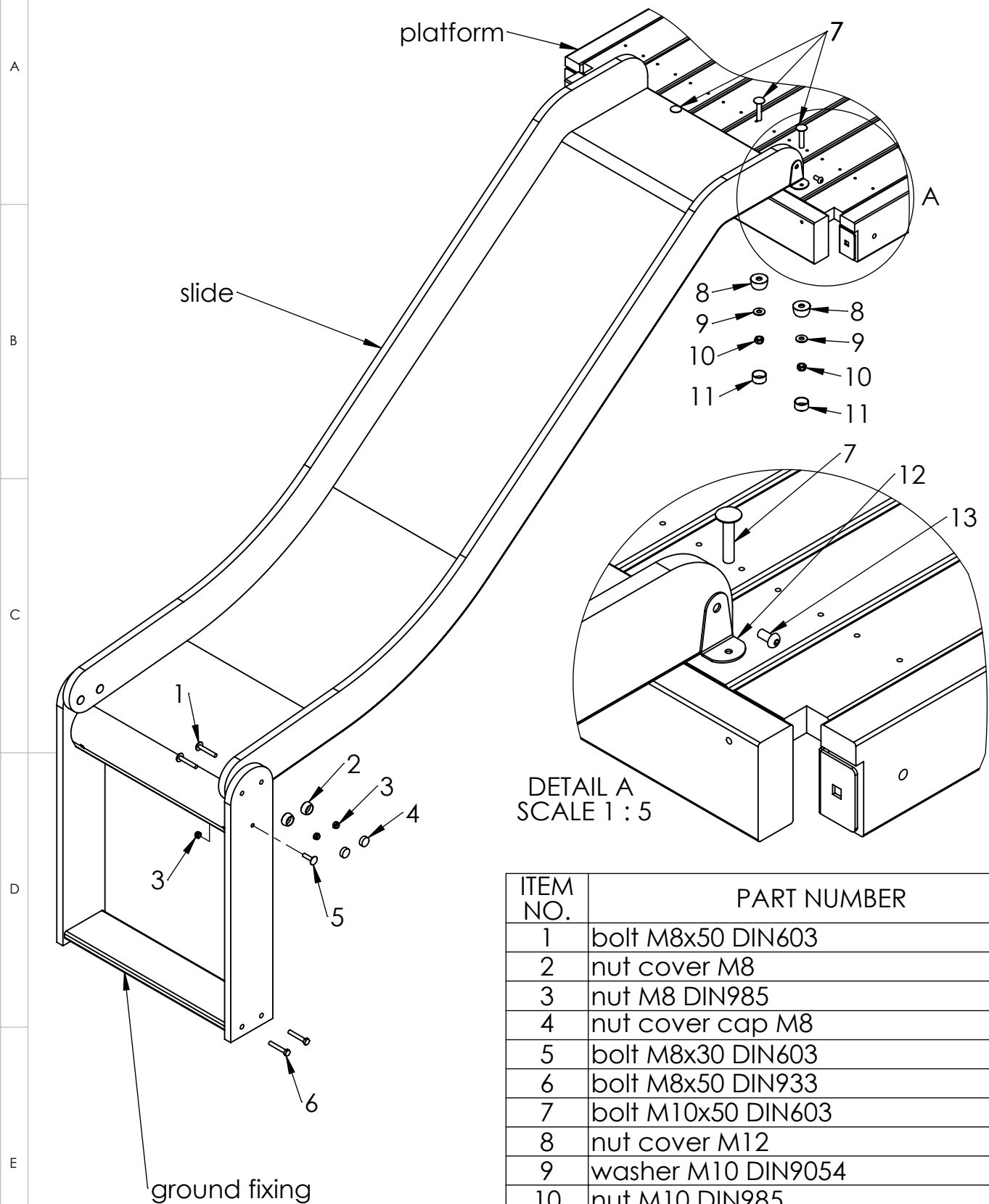
SCALE: 1:12

SHEET 11 OF 21



Tiptaptap OÜ

Tiptaptap OÜ
Veetorni 9,
Jüri alevik, Rae vald,
75301 Harjumaa



UNLESS OTHERWISE SPECIFIED:
DIMENSIONS ARE IN MILLIMETERS
WEIGHT ARE IN KILOGRAMM

PART NUMBER / DWG NO.:

LM205

	NAME	SIGNATURE	DATE	REVISION
DRAWN	M.Rebase		13.07.2018	
APPV'D				

DESCRIPTION:

Play Centre REBECCA
connecting slide to platform

MATERIAL:

wood, metal, plastic

A4

WEIGHT:

SCALE: 1:12

SHEET 12 OF 21



Tiptaptap OÜ

Tiptaptap OÜ
Veetorni 9,
Jüri alevik, Rae vald,
75301 Harjumaa

A

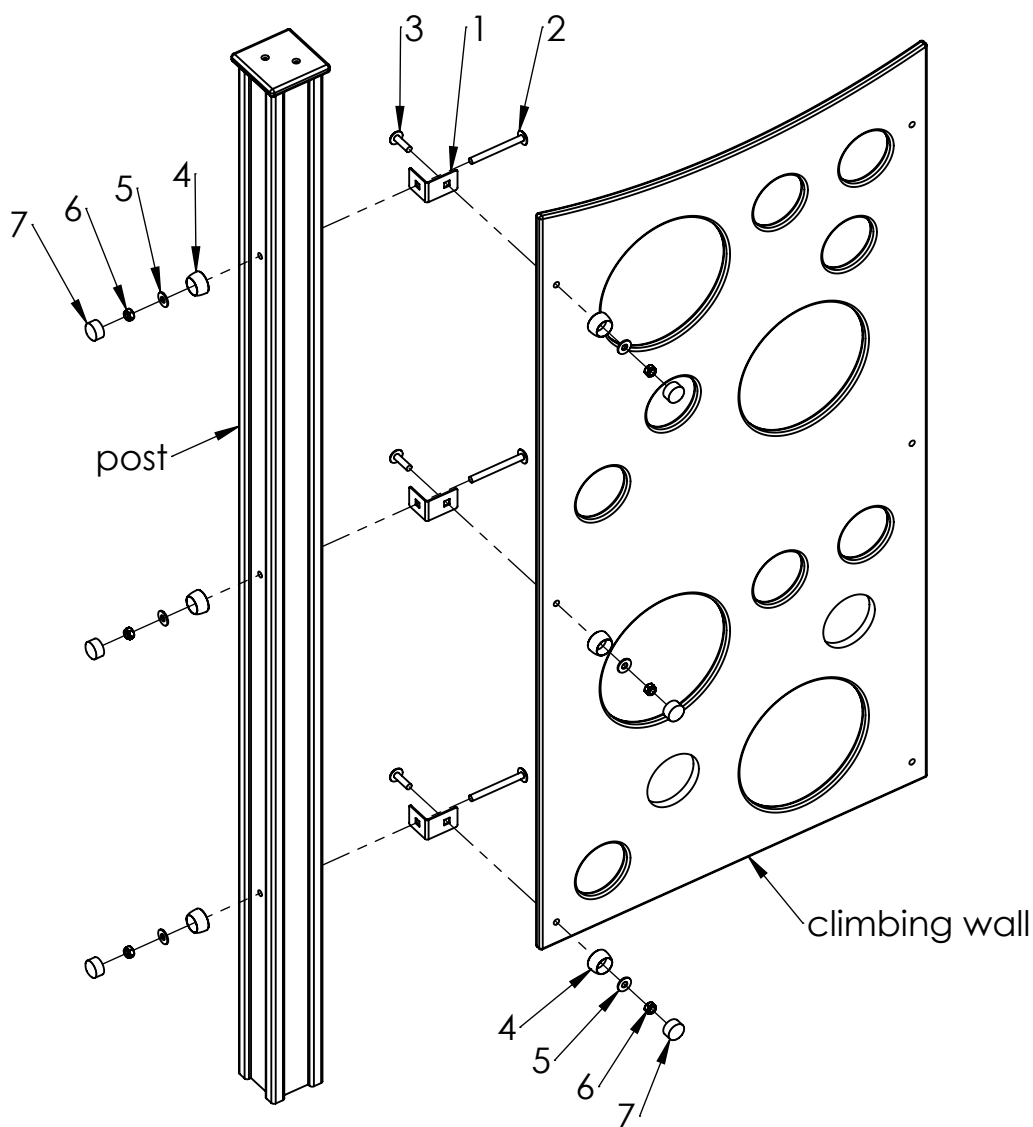
B

C

D

E

F



ITEM NO.	PART NUMBER
1	corner 48x60
2	bolt M10x100 DIN603
3	bolt M10x35 DIN603
4	nut cover M12
5	washer M10 DIN9054
6	nut M10 DIN985
7	nut cover cap M12

UNLESS OTHERWISE SPECIFIED:
DIMENSIONS ARE IN MILLIMETERS
WEIGHT ARE IN KILOGRAMM

PART NUMBER / DWG NO.:

LM205

	NAME	SIGNATURE	DATE	REVISION
DRAWN	M.Rebase		13.07.2018	
APPV'D				

DESCRIPTION:

Play Centre REBECCA
connecting climbing wall to post



Tiptaptap OÜ

Tiptaptap OÜ
Veetorni 9,
Jüri alevik, Rae vald,
75301 Harjumaa

MATERIAL:

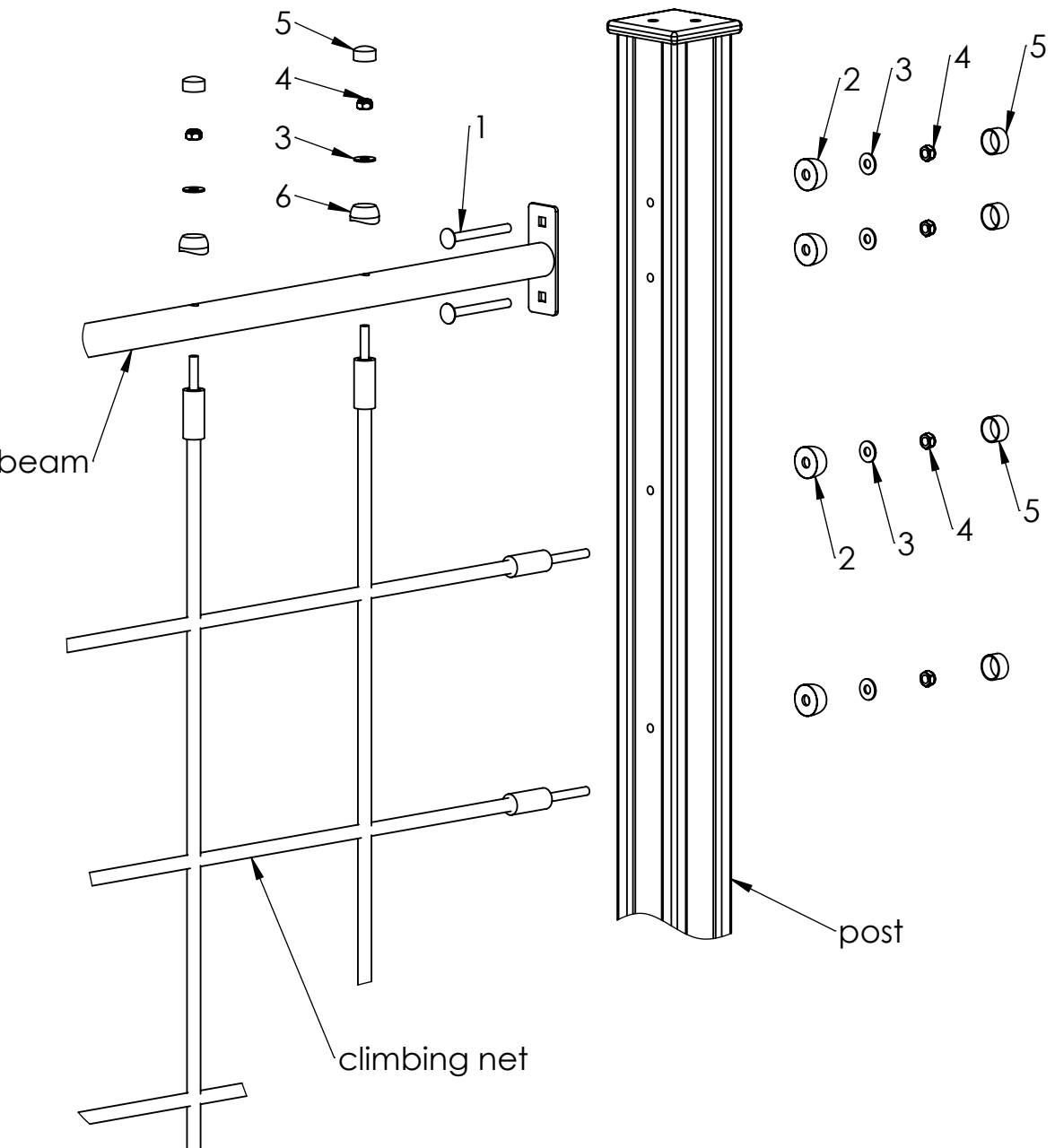
wood, metal, plastic

A4

WEIGHT:

SCALE: 1:12

SHEET 13 OF 21

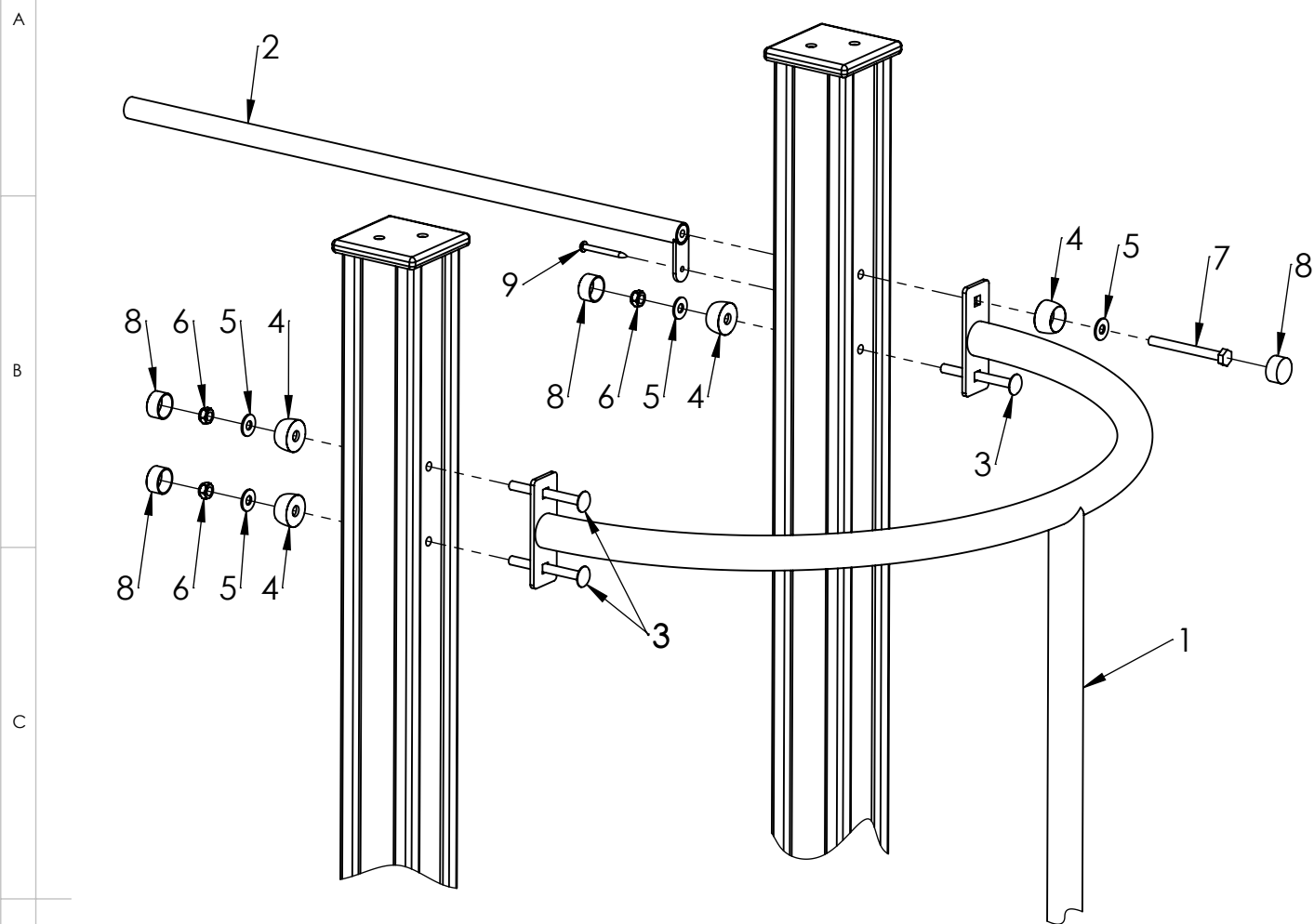


ITEM NO.	PART NUMBER
1	bolt M10x100 DIN603
2	nut cover M12
3	washer M10 DIN9054
4	nut M10 DIN985
5	nut cover cap M12
6	nut cover M12 for beam

UNLESS OTHERWISE SPECIFIED: DIMENSIONS ARE IN MILLIMETERS WEIGHT ARE IN KILOGRAMM				
	NAME	SIGNATURE	DATE	REVISION
DRAWN	M.Rebase		13.07.2018	
APPV'D				

PART NUMBER / DWG NO.:		LM205	
DESCRIPTION:			
Play Centre REBECCA connecting beam and climbing net to post			
MATERIAL:		wood, metal, plastic	A4
WEIGHT:		SCALE: 1:8	SHEET 14 OF 21


Tiptaptap OÜ
 Veetorni 9,
 Jüri alevik, Rae vald,
 75301 Harjumaa



ITEM NO.	PART NUMBER
1	climbing pole
2	guardrail ϕ 25x770
3	bolt M10x100 DIN603
4	nut cover M12
5	washer M10 DIN9054
6	nut M10 DIN985
7	bolt M10x100 DIN931
8	nut cover cap M12
9	screw 5,0x40

UNLESS OTHERWISE SPECIFIED:
DIMENSIONS ARE IN MILLIMETERS
WEIGHT ARE IN KILOGRAMM

PART NUMBER / DWG NO.:

LM205

	NAME	SIGNATURE	DATE	REVISION
DRAWN	M.Rebase		13.07.2018	
APPV'D				

DESCRIPTION:

Play Centre REBECCA

connecting climbing pole and guardrail to post

MATERIAL:
wood, metal, plastic

A4

WEIGHT:

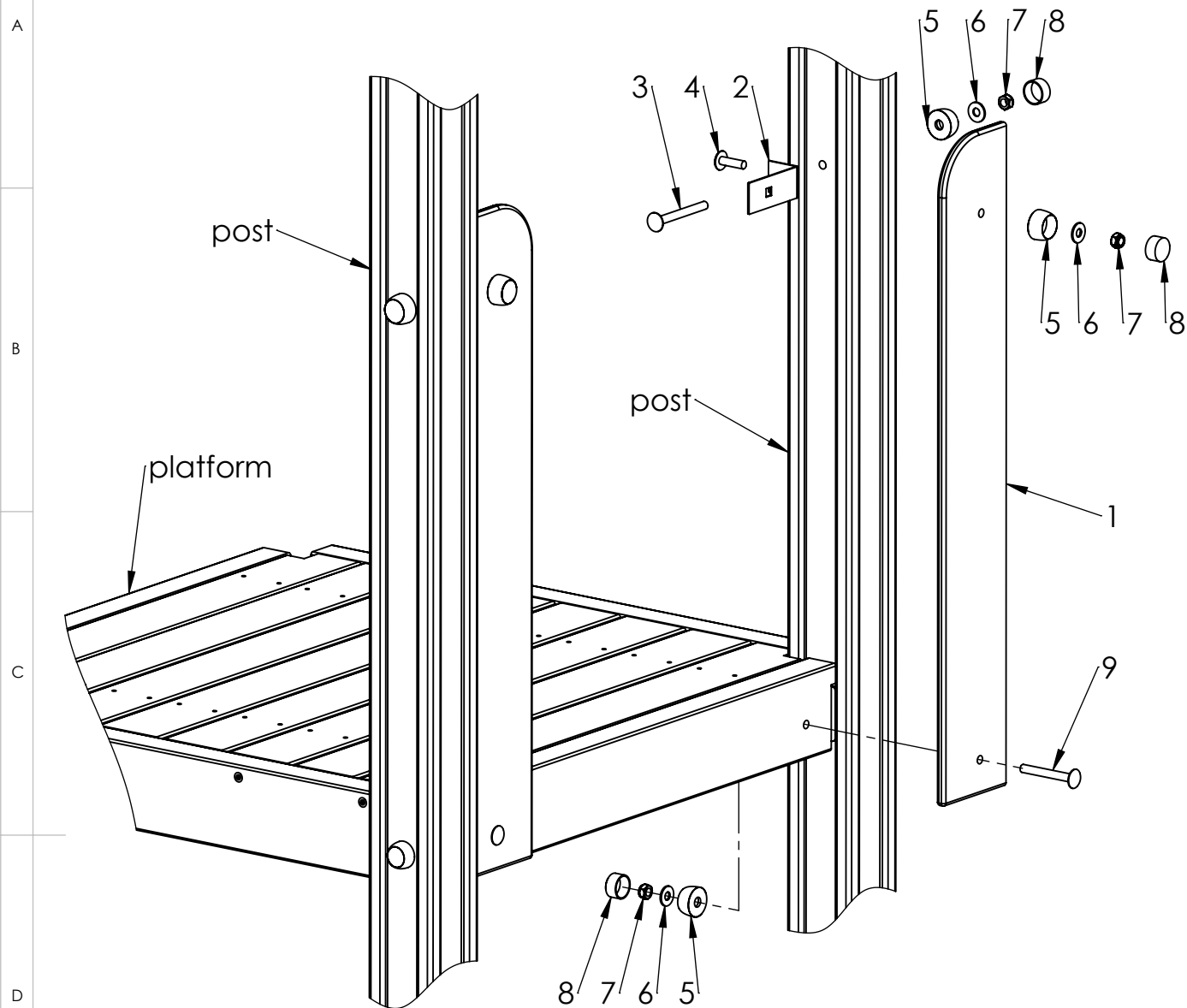
SCALE: 1:8

SHEET 15 OF 21



Tiptap OÜ

Tiptap OÜ
Veetorni 9,
Jüri alevik, Rae vald,
75301 Harjumaa



ITEM NO.	PART NUMBER
1	panel 850x126
2	slide side panel fixing 40x100
3	bolt M10x100 DIN603
4	bolt M10x35 DIN603
5	nut cover M12
6	washer M10 DIN9054
7	nut M10 DIN985
8	nut cover cap M12
9	bolt M10x80 DIN603

UNLESS OTHERWISE SPECIFIED:
DIMENSIONS ARE IN MILLIMETERS
WEIGHT ARE IN KILOGRAMM

PART NUMBER / DWG NO.:

LM205

	NAME	SIGNATURE	DATE	REVISION
DRAWN	M.Rebase		13.07.2018	
APPV'D				

DESCRIPTION:

Play Centre REBECCA
connecting climbing pole side panels

MATERIAL:

wood, metal, plastic

A4

WEIGHT:

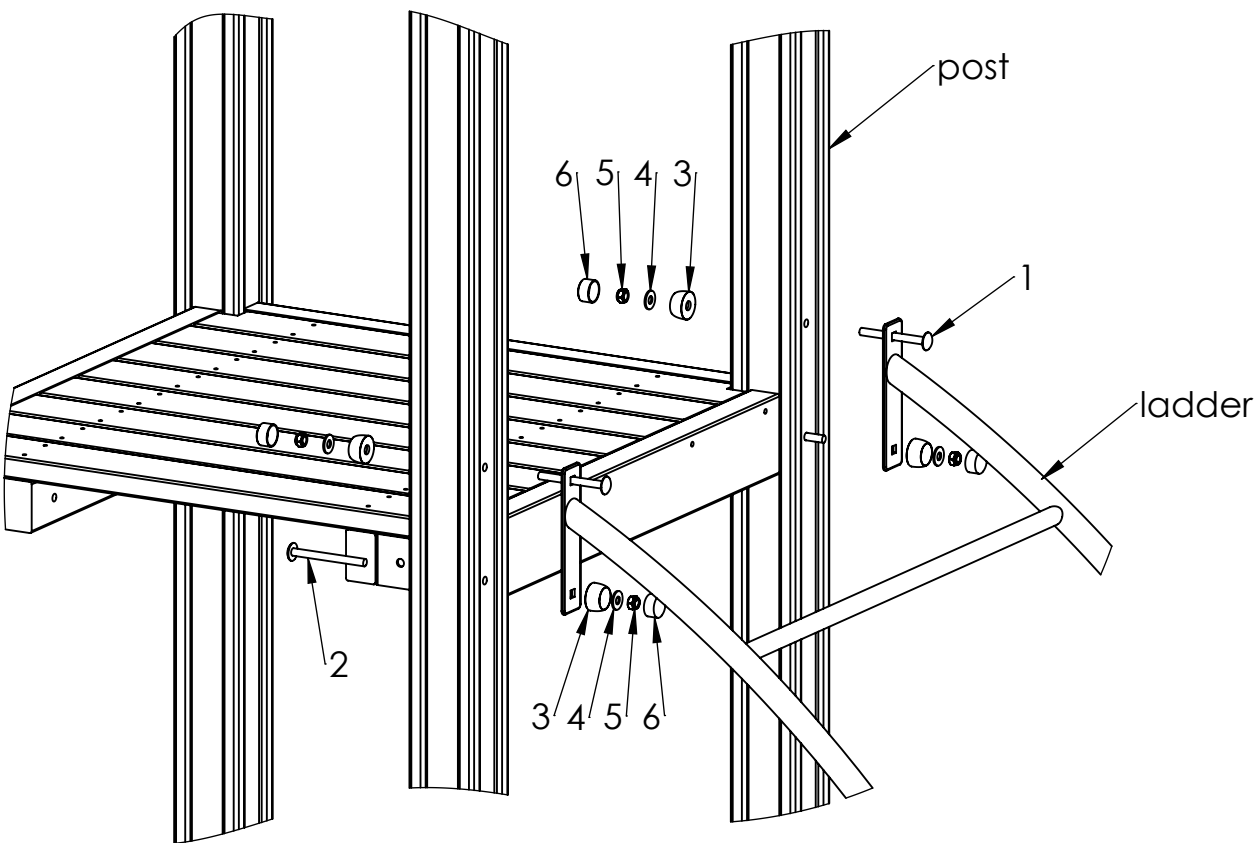
SCALE: 1:8

SHEET 16 OF 21



Tiptap OÜ

Tiptap OÜ
Veetorni 9,
Jüri alevik, Rae vald,
75301 Harjumaa



ITEM NO.	PART NUMBER
1	bolt M10x100 DIN603
2	bolt M10x110 DIN603
3	nut cover M12
4	washer M10 DIN9054
5	nut M10 DIN985
6	nut cover cap M12

UNLESS OTHERWISE SPECIFIED:
DIMENSIONS ARE IN MILLIMETERS
WEIGHT ARE IN KILOGRAMM

PART NUMBER / DWG NO.:

LM205

	NAME	SIGNATURE	DATE	REVISION
DRAWN	M.Rebase		13.07.2018	
APPV'D				

DESCRIPTION:

Play Centre REBECCA
connecting arch ladder to post

MATERIAL:

wood, metal, plastic

A4

WEIGHT:

SCALE: 1:10

SHEET 17 OF 21



Tiptaptap OÜ

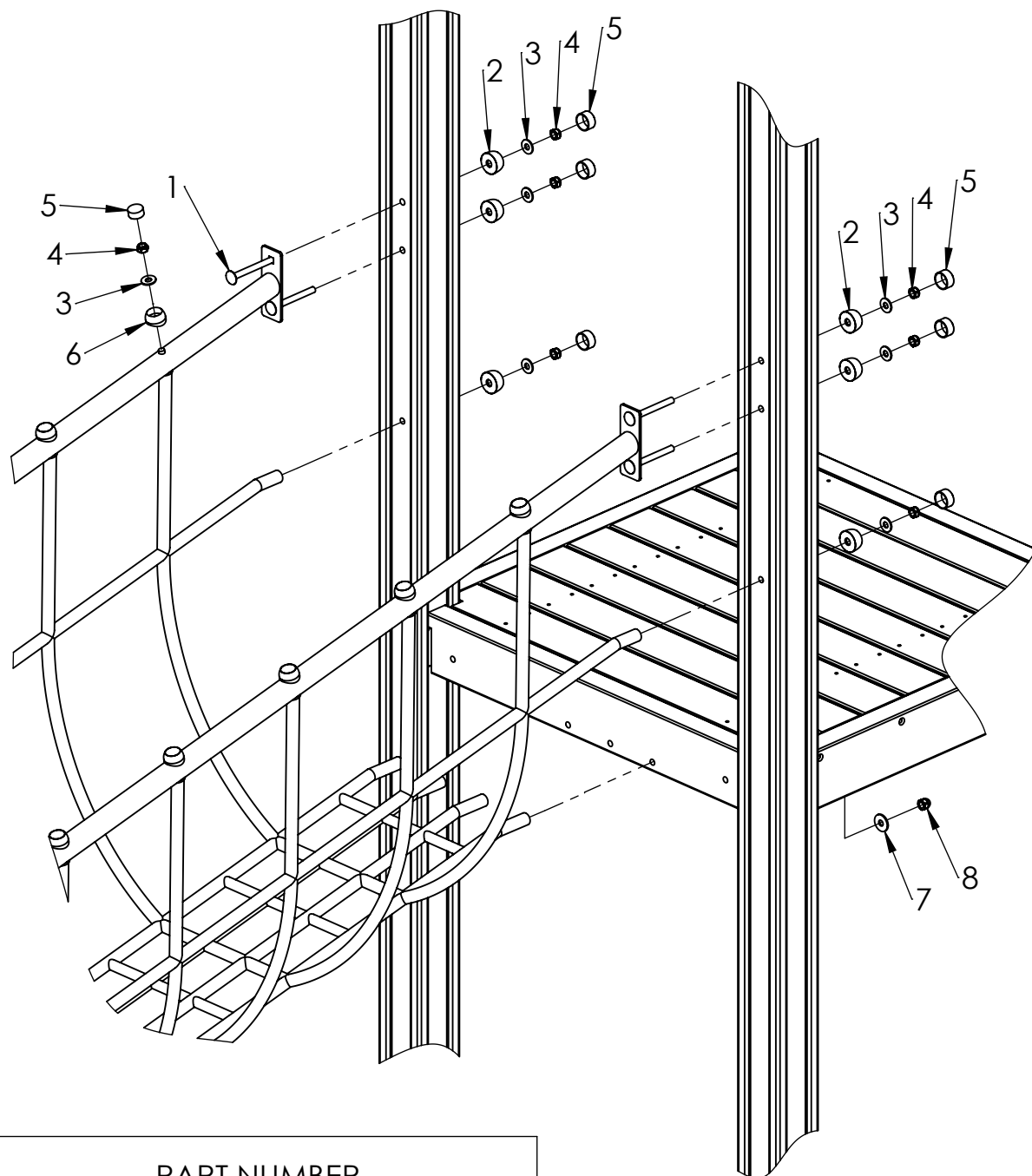
Tiptaptap OÜ
Veetorni 9,
Jüri alevik, Rae vald,
75301 Harjumaa

A

B

C

D



ITEM NO.	PART NUMBER
1	bolt M10x100 DIN603
2	nut cover M12
3	washer M10 DIN9054
4	nut M10 DIN985
5	nut cover cap M12
6	nut cover M12 for beam
7	washer M10 DIN9021
8	domed cap nut M10 DIN986

UNLESS OTHERWISE SPECIFIED:
DIMENSIONS ARE IN MILLIMETERS
WEIGHT ARE IN KILOGRAMM

	NAME	SIGNATURE	DATE	REVISION
DRAWN	M.Rebase		13.07.2018	
APPV'D				

PART NUMBER / DWG NO.:

LM205

DESCRIPTION:

Play Centre REBECCA
connecting bridge to post and platform

MATERIAL:

wood, metal, plastic

A4

WEIGHT:

SCALE: 1:11

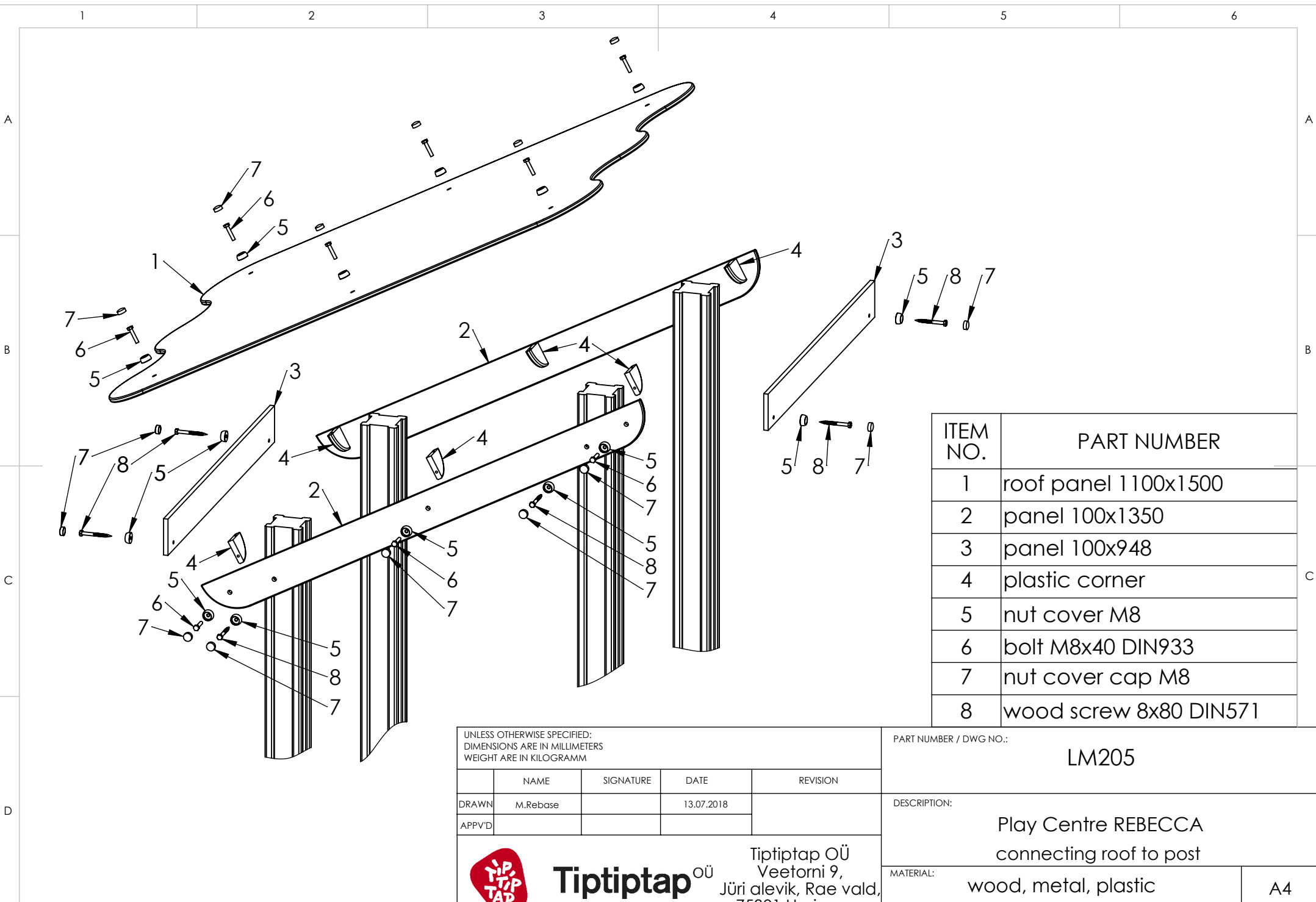
SHEET 18 OF 21



Tiptiptap OÜ

Tiptiptap OÜ
Veetorni 9,
Jüri alevik, Rae vald,
75301 Harjumaa

F



ITEM NO.	PART NUMBER
1	roof panel 1100x1500
2	panel 100x1350
3	panel 100x948
4	plastic corner
5	nut cover M8
6	bolt M8x40 DIN933
7	nut cover cap M8
8	wood screw 8x80 DIN571

UNLESS OTHERWISE SPECIFIED:
 DIMENSIONS ARE IN MILLIMETERS
 WEIGHT ARE IN KILOGRAMM

	NAME	SIGNATURE	DATE	REVISION
DRAWN	M.Rebase		13.07.2018	
APPV'D				



Tiptaptap OÜ
 Tiptaptap OÜ
 Veetorni 9,
 Jüri alevik, Rae vald,
 75301 Harjumaa

PART NUMBER / DWG NO.: LM205	
DESCRIPTION: Play Centre REBECCA connecting roof to post	
MATERIAL: wood, metal, plastic	A4
WEIGHT:	SCALE: 1:12 SHEET 19 OF 21

A

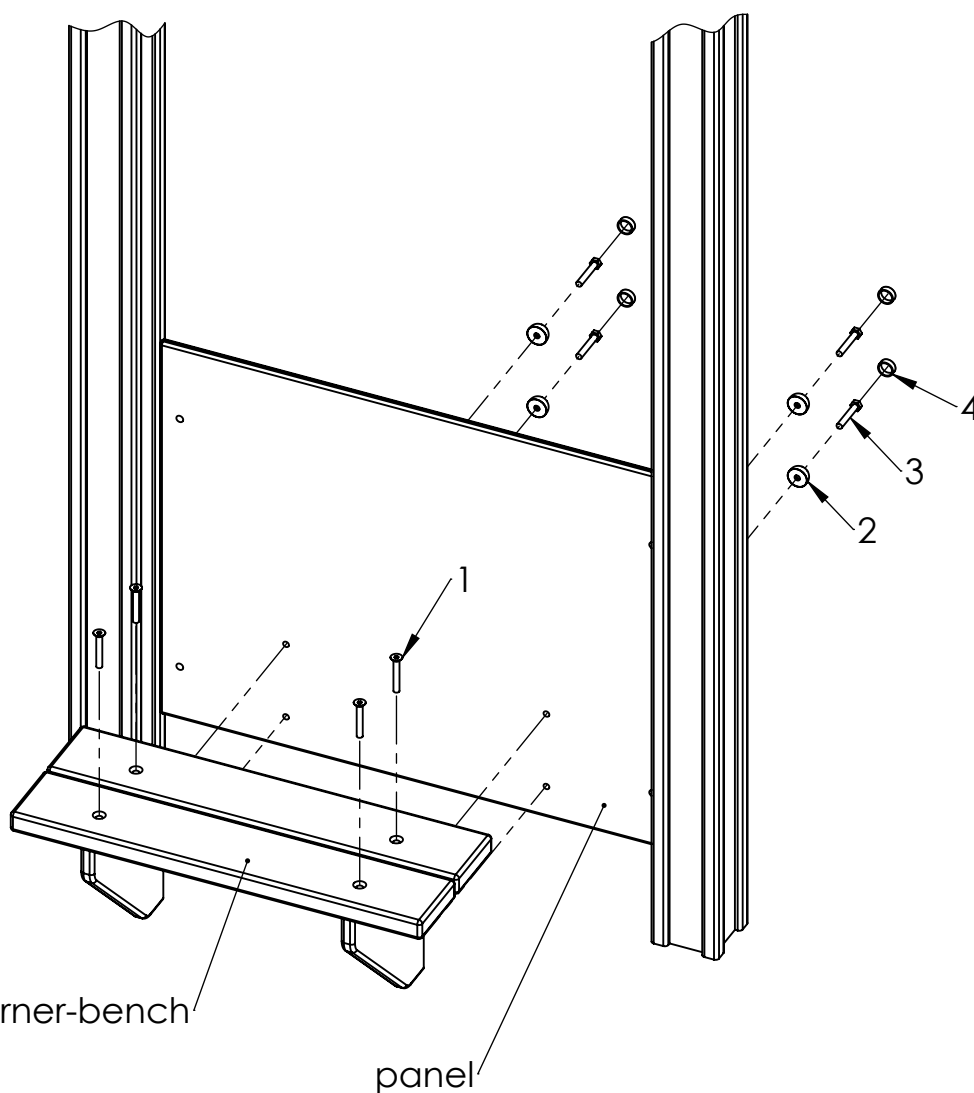
B

C

D

E

F



ITEM NO.	PART NUMBER
1	bolt M8x50 DIN7991
2	nut cover M8
3	bolt M8x50 DIN933
4	nut cover cap M8

UNLESS OTHERWISE SPECIFIED:
DIMENSIONS ARE IN MILLIMETERS
WEIGHT ARE IN KILOGRAMM

PART NUMBER / DWG NO.:

LM205

	NAME	SIGNATURE	DATE	REVISION
DRAWN	M.Rebase		13.07.2018	
APPV'D				

DESCRIPTION:

Play Centre REBECCA
connecting playcorner-bench to panel

MATERIAL:

wood, metal, plastic

A4

WEIGHT:

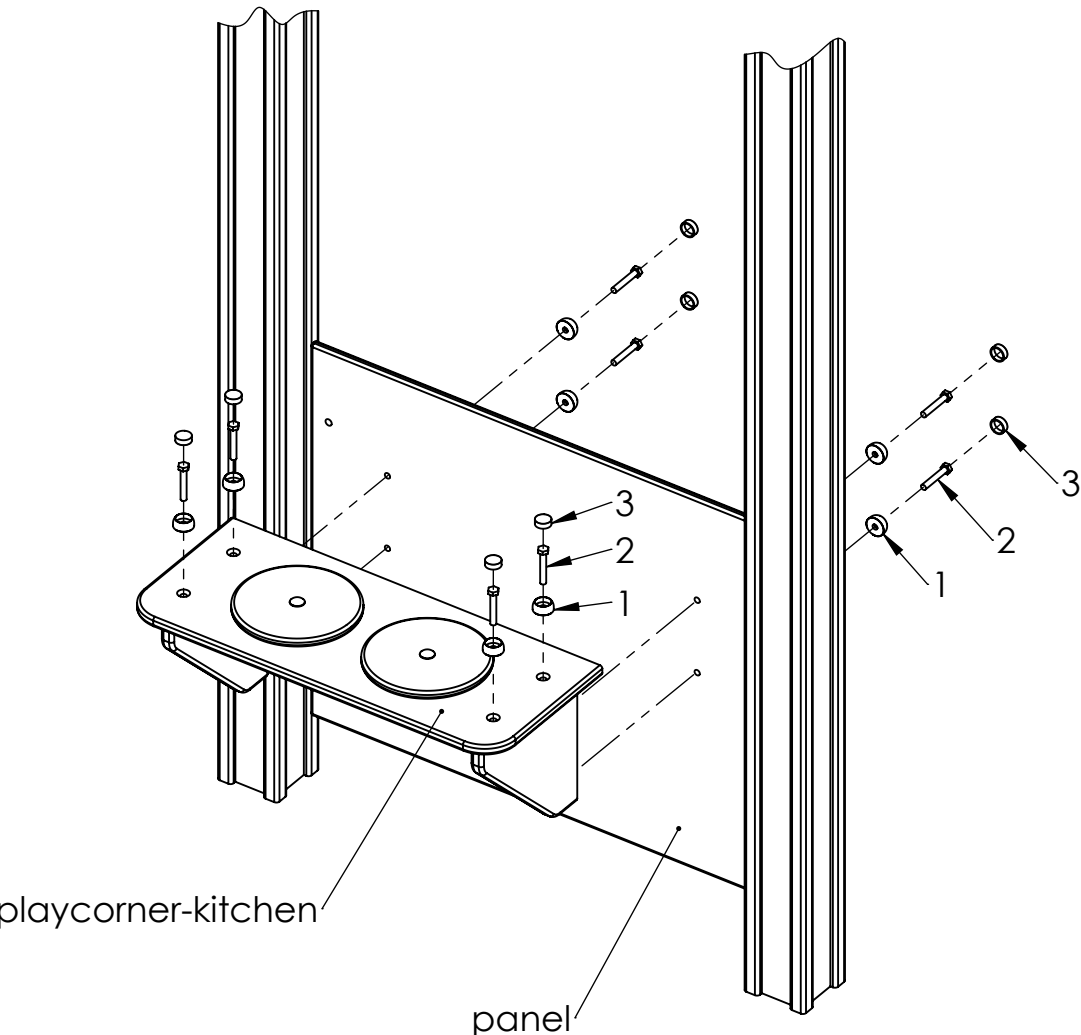
SCALE: 1:10

SHEET 20 OF 21



Tiptaptap OÜ

Tiptaptap OÜ
Veetorni 9,
Jüri alevik, Rae vald,
75301 Harjumaa



playcorner-kitchen

panel

ITEM NO.	PART NUMBER
1	nut cover M8
2	bolt M8x50 DIN933
3	nut cover cap M8

UNLESS OTHERWISE SPECIFIED:
DIMENSIONS ARE IN MILLIMETERS
WEIGHT ARE IN KILOGRAMM

PART NUMBER / DWG NO.:
LM205

	NAME	SIGNATURE	DATE	REVISION
DRAWN	M.Rebase		13.07.2018	
APPV'D				

DESCRIPTION:
Play Centre REBECCA
connecting playcorner-kitchen to panel



Tiptaptap OÜ
Veetorni 9,
Jüri alevik, Rae vald,
75301 Harjumaa

MATERIAL:	wood, metal, plastic	A4
WEIGHT:	SCALE: 1:10	SHEET 21 OF 21